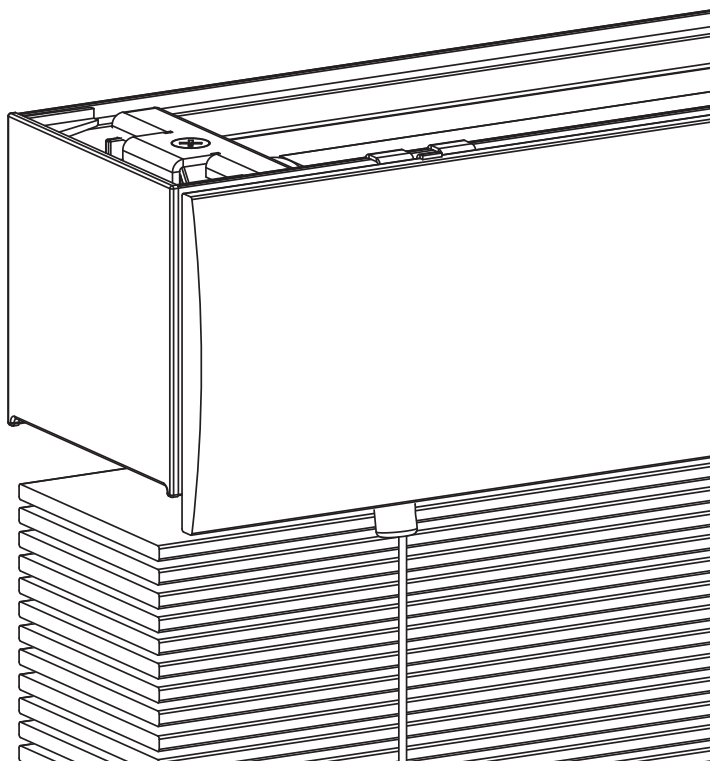


User Manual

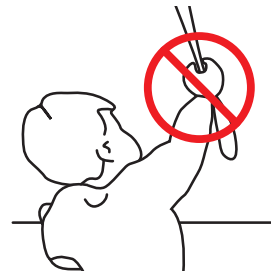
Venetian Blind

Motor CM-06-E-V



WARNING

Read the instructions carefully before assembling and using the product. Assembly can be completed by non-professionals. For indoor use only.



- Young children can strangle themselves with the loop of pull cords, chains and tapes, and cords that operate window coverings.
- To avoid strangulation and entanglement, keep cords out of reach of young children.
- Cords may ensnare a child's neck.
- Move beds, cots and furniture away from window covering cords.
- Do not tie cords together.
- Make sure cords do not twist together and form a loop.

2

Cleaning

Follow these general rules when cleaning the outside of the device and its components:

- Use a damp, soft, lint-free cloth. Avoid getting moisture in openings.
- Do not use aerosol sprays, solvents, alcohol, or abrasives.

Service & Support

Do not perform repairs yourself. Do not attempt to open the device or disassemble it. You run the risk of electric shock and voiding the limited warranty. No user-serviceable parts are inside.

Warranty Service

First follow the advice in this manual. If the product appears to be damaged or does not function properly, go to your local dealer for instructions on how to obtain warranty service.

Recycle

This marking indicates that this product should not be disposed with other household wastes throughout the EU. To prevent possible harm to the environment or human health from uncontrolled waste disposal, recycle it responsibly to promote the sustainable reuse of material resources. To return your used device, please use the return and collection systems or contact the retailer where the product was purchased. They can take this product for environmental safe recycling.

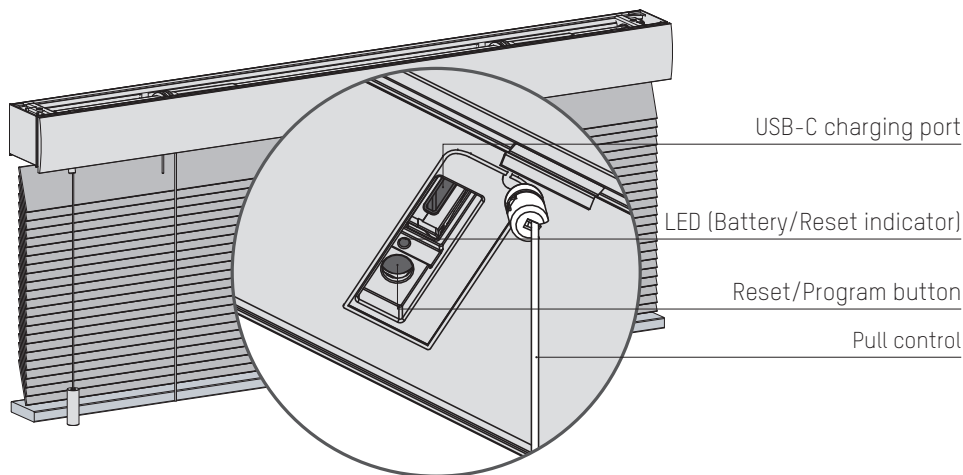


IP 20



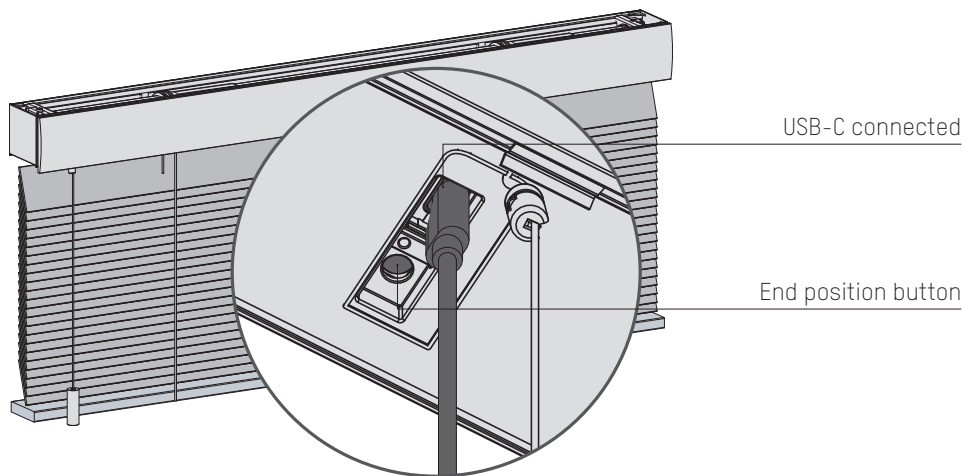
Conforms to
UL Std. 325
Certified to
CSA Std. C22.2#247

i Buttons and functions



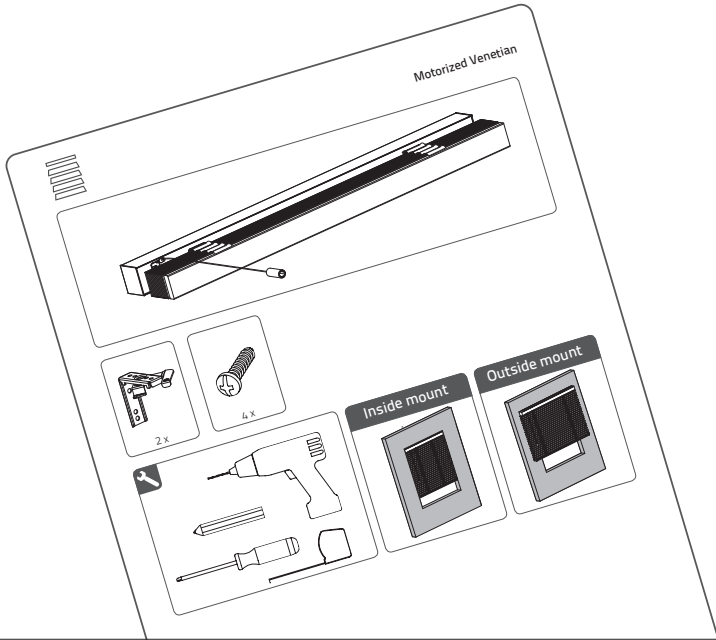
i Program Modes

When a USB-C cable is connected and powered, the functions of the reset/program button automatically changes, allowing to set end positions with this button. As long as the USB-C is connected and powered the default reset/program functions can not be used.



1 Install the blind

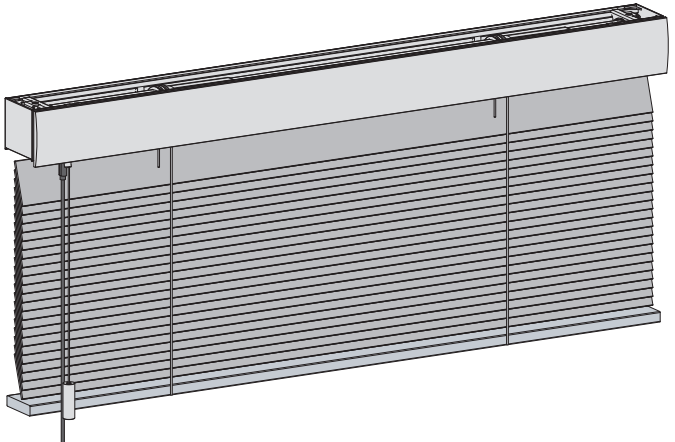
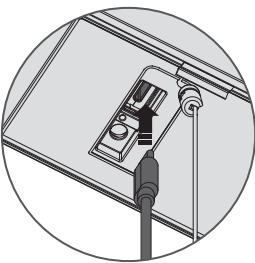
Follow the steps in the installation instructions to install the blind.



4

2 Activate the blind

To activate the blind, connect it to a standard USB-C 5V power supply via a USB-C cable. This can be your smartphones power adapter, for example.



3 Add Eve MotionBlinds to your platform

Add Eve MotionBlinds to the platform of your choice and make sure to have a compatible Thread Border Router.

More information : motionblinds.com/eve/matter

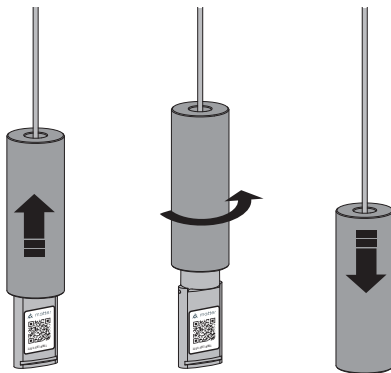


4 Setup the blind

Now you can easily add Eve MotionBlinds to your smart home in just a few steps by scanning the Matter Setup Code using the app of your favorite platform. Scan the Matter Setup Code to add it your platform.

Eve MotionBlinds needs end positions to work properly. End positions can be programmed in two ways. In the Eve app or by the end position programming button on your blind. (Step 5)

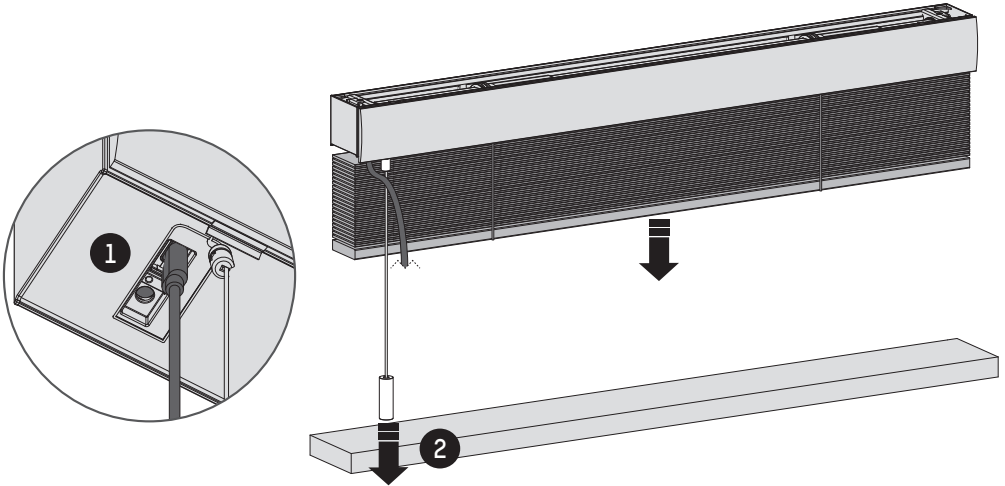
After scanning you can hide your Matter Setup Code.



5 Set end positions

Beside setting the end positions by the app you are able to set the end positions by pressing the button on the motor. 1: To enter this program mode make sure the USB-C cable is connected and powered [see page3]. 2: Pull and hold the chain until the blind has reached the bottom position. If the blind moves in the opposite direction, release the chain and pull and hold again.

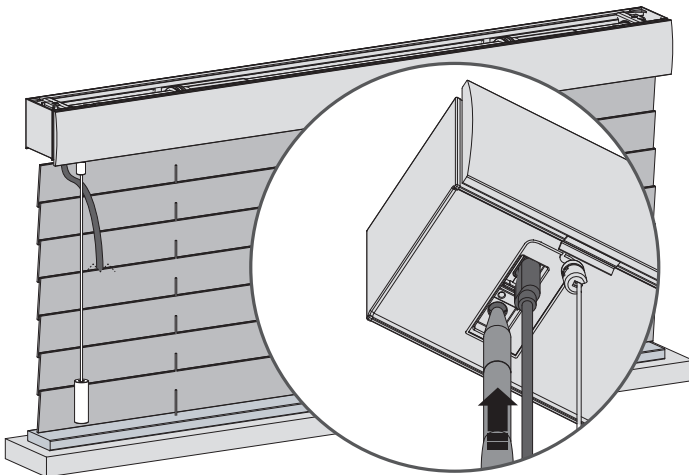
Adjust until the desired bottom position has been reached.



6

6 Save your bottom position

When your blind is positioned at your bottom position hold the button until the blind moves up and down to save your bottom position.

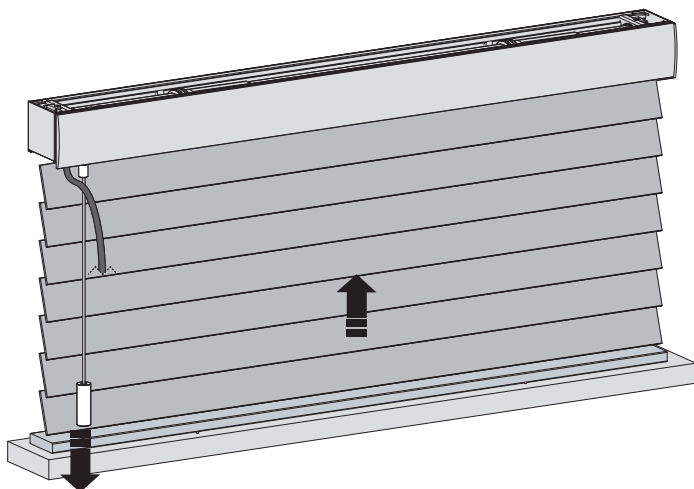


7 Move your blind to the top position

Pull and hold the chain until the blind has reached the top position.

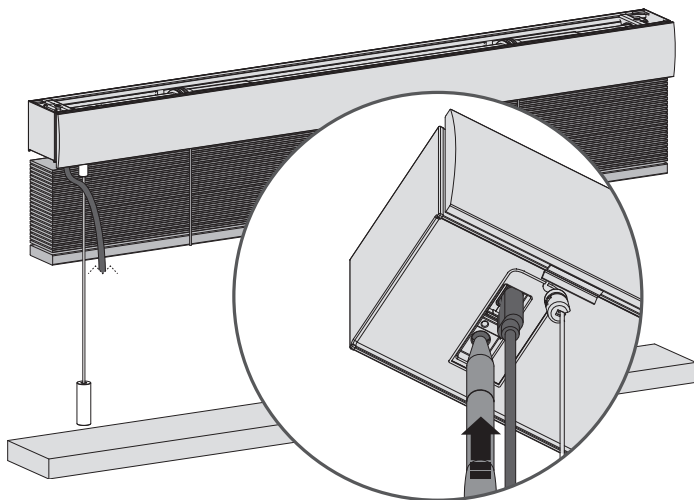
WARNING: risk of damage. Slowly approach the top position. If the blind moves in the opposite direction, release the chain and pull and hold again.

Adjust until the desired top position has been reached.



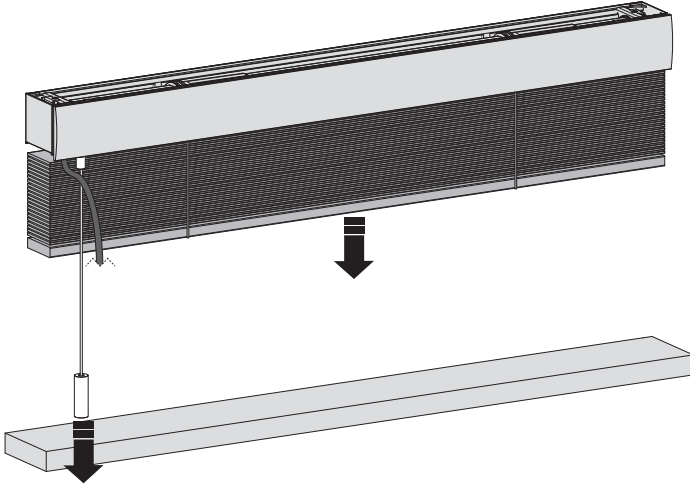
8 Save your top position

When your blind is positioned at your top position hold the button until the blind moves up and down to save your top position.



9 Adjust your end positions

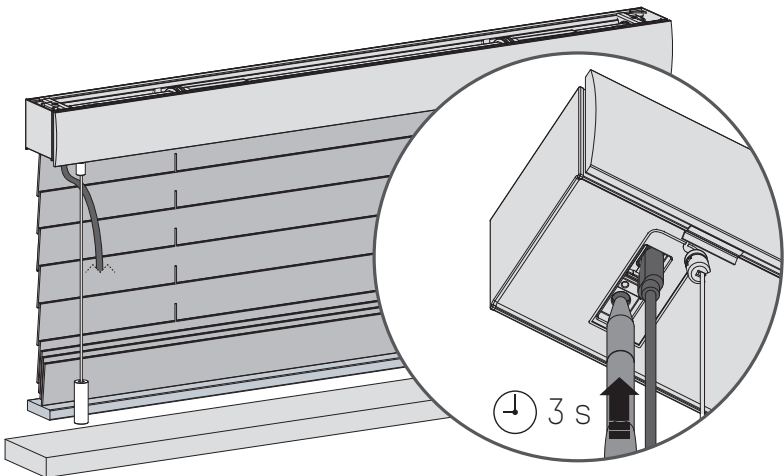
To adjust one of your end positions you need to place your blind at the end position you want to adjust. Pull and wait until the blind has reached the end position you want to adjust.



8

10 Remove your (bottom/top) position

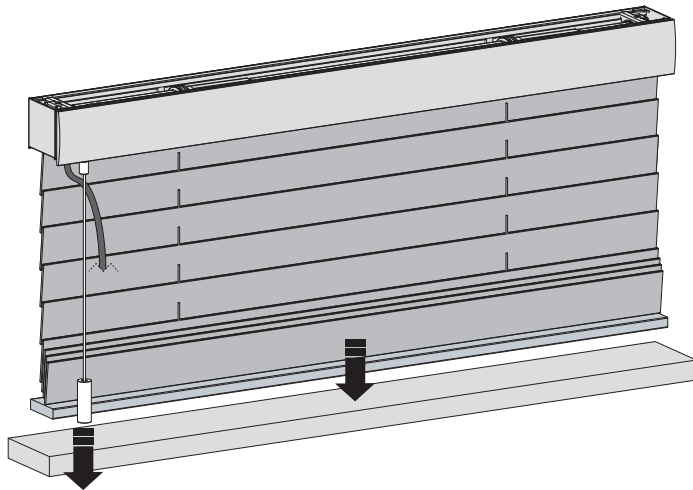
Hold the end position program button for 3 seconds to remove your (bottom/top) position. The blind will step up and down once to confirm that your end position has been removed. You are now able to set a new (bottom/top) position.



11 Move your blind to the new (bottom) position

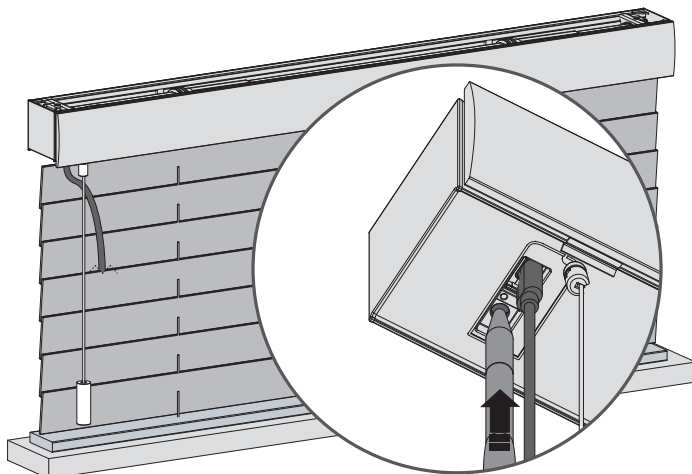
Pull and hold the chain until the blind has reached the bottom position. If the blind moves in the opposite direction, release the chain and pull and hold again.

Adjust until the desired bottom position has been reached.



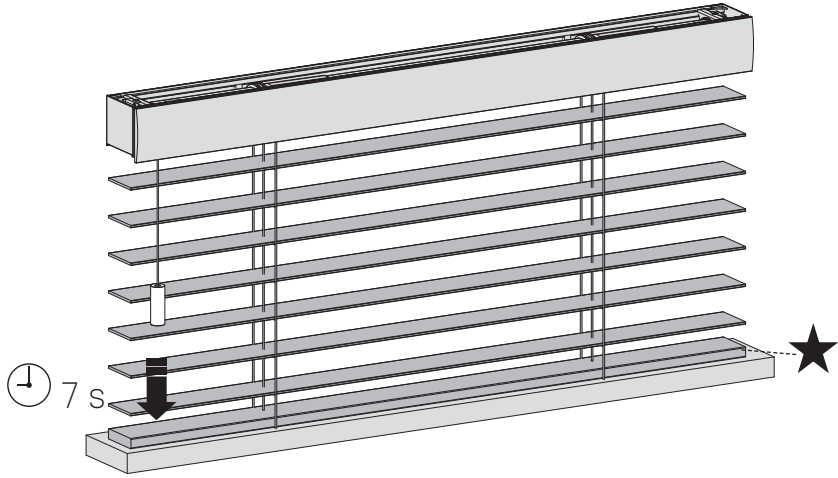
12 Save your (bottom) position

When your blind is positioned at your bottom position hold the button until the blind moves up and down to save your bottom position.



13 Save the favorite position

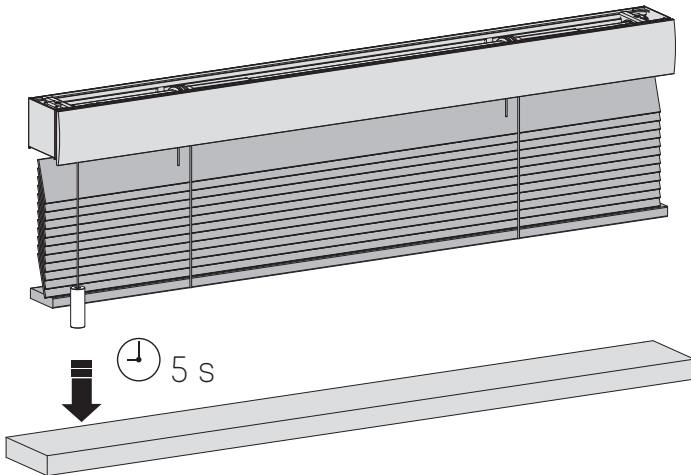
When there is no favorite position programmed you need to position your blind at your favorite position. When the blind is at your favorite position hold the pull until the blind steps up and down once. (Approximately 7 seconds)



10

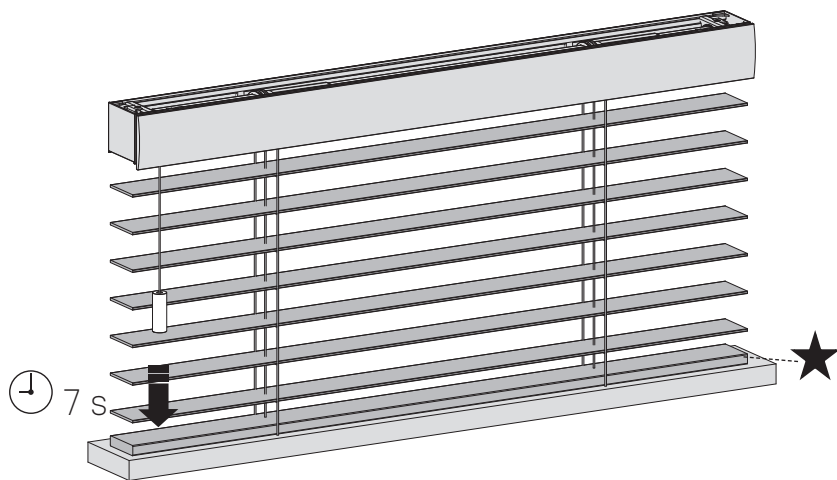
14 Control your blind to favorite position

When your blind is not positioned at the favorite position hold the pull for 5 seconds and your blind will move to its favorite position.



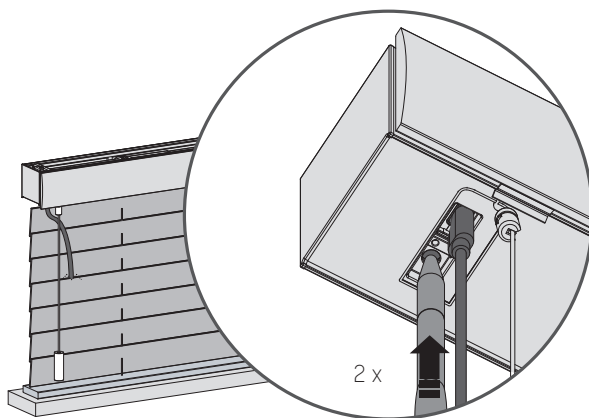
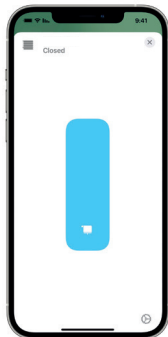
15 Save a new favorite position

To remove your previous favorite position you need to place your blind at your current favorite position. (Step 14) Then Hold the pull until the blind steps up and down once. (Approximately 7 seconds) Your favorite position is now removed. Follow step 13 to set your new favorite position.



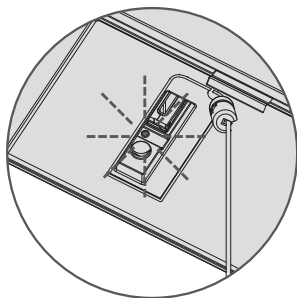
i Change direction of rotation

If the position of the blind in the app is opposite to your blind, change the direction of rotation by pressing the End Position button twice within one second.

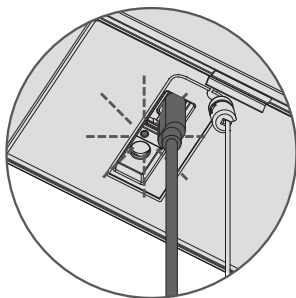


i Recharge the blind

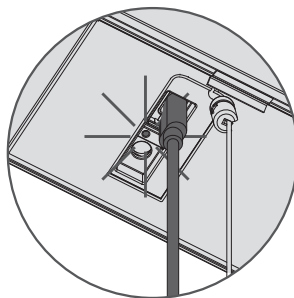
To charge the blind, connect it to a standard USB-C 5V power supply via a USB-C cable. This can be your smartphones power adapter, for example. Charge at least once a year.



LED light flashes
red during operation;
Charge the battery



LED light flashes
green; battery is
charging



LED light constantly
green; battery is fully
charged

Important Safety instructions

WARNING: To reduce the risk of severe injury or death, it is important to follow these instructions for personal safety. Save these instructions.

- Read and follow all installation instructions.
- This appliance can be used by children aged 8 years and above and persons with reduced physical, sensory or mental capabilities or lack of experience and knowledge if they have been given supervision or instruction concerning use of the appliance in a safe way and understand the hazards involved. Children should not play with the appliance. Cleaning and user maintenance should not be performed by children without supervision.
- Do not allow children to play with fixed controls. Keep remote controls away from children.
- Frequently examine the installation for imbalance and signs of wear or damage to cables and springs. Do not use if repair or adjustment is necessary.
- This instruction manual is also available on the website.
- The drive must be disconnected from its power source during cleaning, maintenance and when replacing parts.
- The A-weighted emission sound pressure level of the drive is equal to or less than 70dB(A).
- Indoor and household use only.
- Disconnect the drive from the power supply or switch off the automatic controls when maintenance, such as window cleaning, is being carried out in the vicinity.
- When operating a biased switch, make sure that other persons are kept away.
- Do not operate when maintenance, such as window cleaning, is being carried out in the vicinity.
- The tube motor must only be supplied with safety extra low voltage corresponding to the marking on the appliance.
- Maximum operating temperature of motor is +55°C. Maximum charging temperature of battery pack is +45°C.
- This appliance contains batteries that are non-replaceable.

Important Installation instructions

WARNING: Important safety instructions. Follow all instructions, since incorrect installation can lead to severe injury.

- This motor can only be used with soft material for driven parts.
- Hazardous unprotected moving parts of the drive must be installed higher than 2.5m above the floor or any other level surface that could provide access to it.
- Install the actuating member of a manual release at a height less than 1.8m.
- The actuating member of a biased switch is to be located within direct sight of the driven part but away from moving parts. It is to be installed at a minimum height of 1.5m and not accessible to the public.
- The mass and the dimension of the driven part must be compatible with the rated torque and rated operating time.
- Fixed controls have to be clearly visible after installation.
- The driven part must be compatible with the rated torque 6.0 N.m and rated operating time (12 min).
- Minimum tube diameter: $\varnothing 42\text{mm}$.
- The drive is intended to be installed at a height of at least 2.5m above the floor or any other accessible level surface.
- All-pole disconnection switches must be incorporated in the fixed wiring in accordance with the wiring rules.
- The appliance must only be supplied at safety extra low voltage corresponding to the marking on the appliance.
- Before installing the drive, remove any unnecessary cords or components and disable any equipment not needed for powered operation.

FCC Manual | FCC ID: ZY4CM06E IC:28117-CM06E

Regulatory Information

1 FCC Information for User

This product does not contain any user serviceable components and is to be used with approved antennas only. Any product changes or modifications will invalidate all applicable regulatory certifications and approvals.

2 FCC Electronic Emission Notices

This device complies with part 15 of the FCC Rules. Operation is subject to the following two conditions:

1. This device may not cause harmful interference
2. This device must accept any interference received, including interference that may cause undesired operation.

3 FCC Radio Frequency Interference statement

This equipment has been tested and found to comply with the limits for a class B digital device, pursuant to Part 15 of the FCC Rules. These limits are designed to provide reasonable protection against harmful interference when the equipment is operated in a commercial environment.

This equipment generates, uses and can radiate radio frequency energy and, if not installed and used in accordance with the instructions, may cause harmful interference to radio communications.

Operation of this equipment in a residential area may cause harmful interference, in which case the user will be required to correct the interference at their own expense. If this equipment does cause harmful interference to radio or television reception, which can be determined by turning the equipment off and on, the user is encouraged to try to correct the interference by one or more of the following measures:

- Reorient or relocate the receiving antenna
- Increase the distance separating the equipment and receiver
- Connect the equipment to an outlet on a circuit different from that to which the receiver is connected
- Consult the dealer or an experienced radio/TV technician for help

To satisfy FCC / IC RF exposure requirements, a separation distance of 20 cm or more should be maintained between the antenna of this device and persons during device operation. To ensure compliance, operations at closer than this distance is not recommended.

EU Declaration

Hereby, Coulisse declares that the radio equipment type CM-06-E-V is in compliance with directive 2014/53/EU. The full text of the EU declaration of conformity is available at the following internet address: support.motionblinds.com

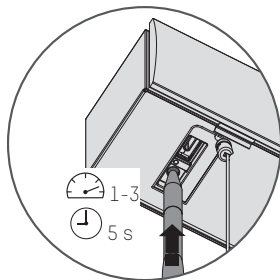
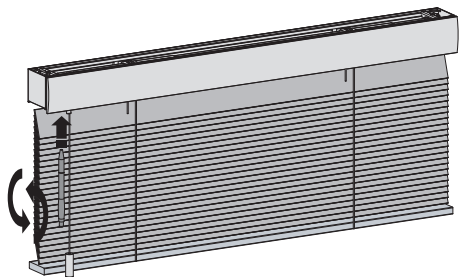
- Frequency range: 433 MHz, RF power: 2.32 dBm
- Frequency range BLE: 2402 - 2480 MHz, RF power: 3 dBm EIRP
- Frequency range Thread: 2405 - 2480 MHz, RF power: < 20 dBm EIRP

ISED Compliance

This device contains licence-exempt transmitter(s)/ receiver(s) that comply with Innovation, Science and Economic Development Canada's licence-exempt RSS(s). Operation is subject to the following two conditions: This device may not cause interference. This device must accept any interference, including interference that may cause undesired operation of the device.

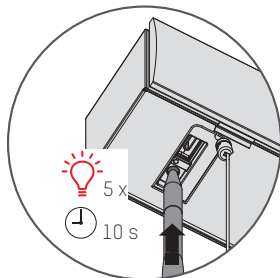
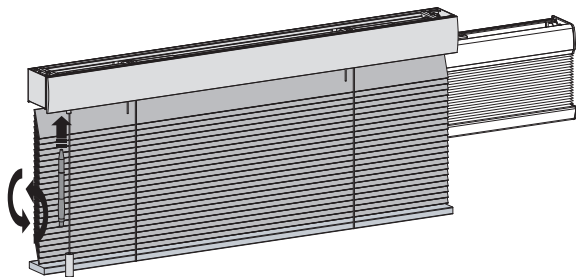
i Change motor speed / sound level

⚠ WARNING: Make sure the USB-C cable is removed. Otherwise you will delete the end limits. Hold the program button for 5 seconds to change the motor speed / sound level. The blind steps up and down 1 time to indicate that the speed has been adjusted to 1 of the 3 levels. Warning: release the button after 5 seconds when the blind steps up and down to avoid resetting the connection.



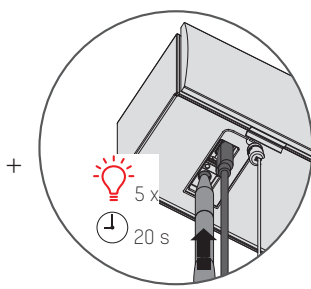
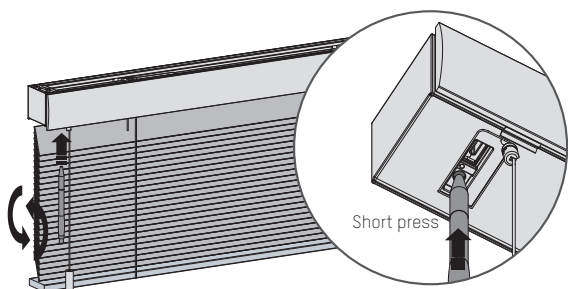
i Reset the connection

⚠ WARNING: Make sure the USB-C cable is removed. Otherwise you will delete the end limits. Hold the program button for 10 seconds to delete the connection between the blind and the app. The LED lights up 5 times and the blind steps up and down 1 time to indicate that the connection is reset. Now the blind can be reconnected.



i Reset the blind

⚠ WARNING: Make sure the USB-C cable is removed. Otherwise you will delete the end limits. Resetting the blind results in deleting the end positions and connections of the blind with apps and remote controls. Shortly press the program button to activate program mode. The blind will start stepping up and down. Hold the reset/program button for at least 20 seconds to reset the blind. The blind will stop stepping twice. After the second stop, the blind will give one extra step to indicate that it has been reset.

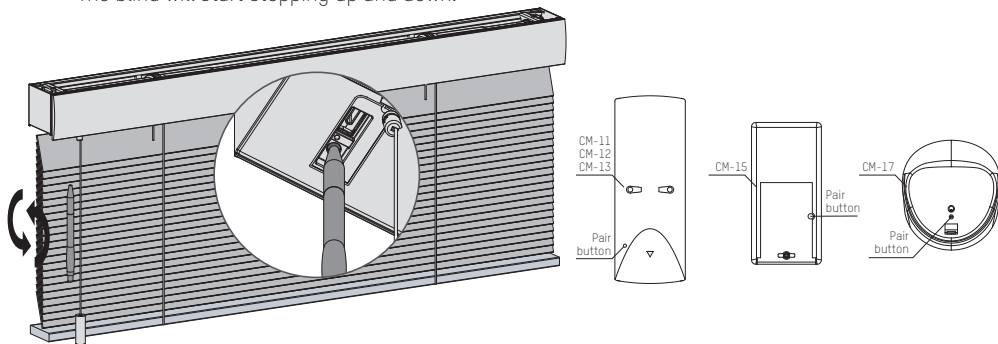


REMOTE PROGRAMMING

1 Pair a remote control

Any MotionBlinds remote can be connected to your blind.

- 1 Select a channel on the remote and press the program button on the motor to activate program mode. The blind will start stepping up and down.



- 2 Press the pair button on the back of the remote control to pair the blind with the selected channel. The blind will shortly stop stepping, indicating that the remote has been paired to the blind.

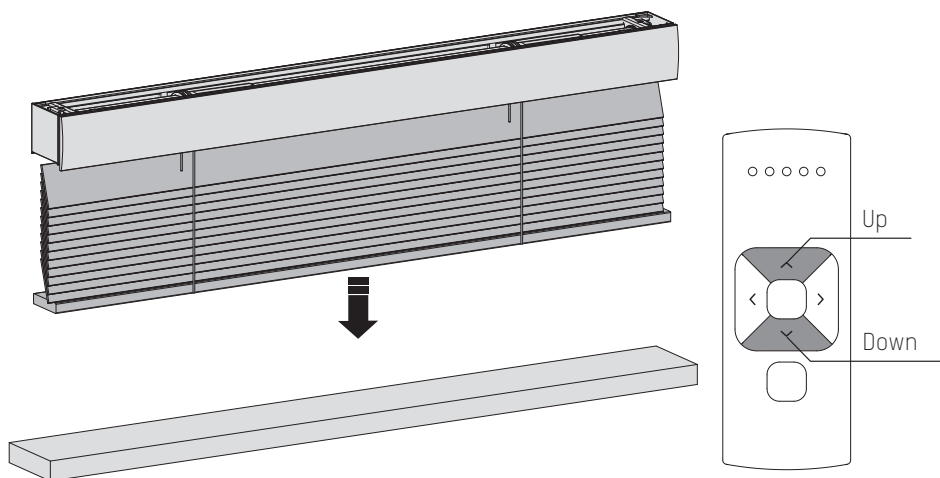
- 3 Shortly press the program button to deactivate program mode. The blind stops stepping and can be operated.

18

2 Check rotational direction

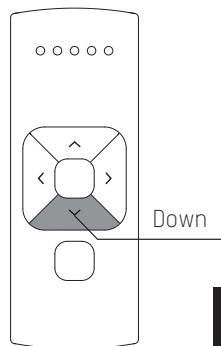
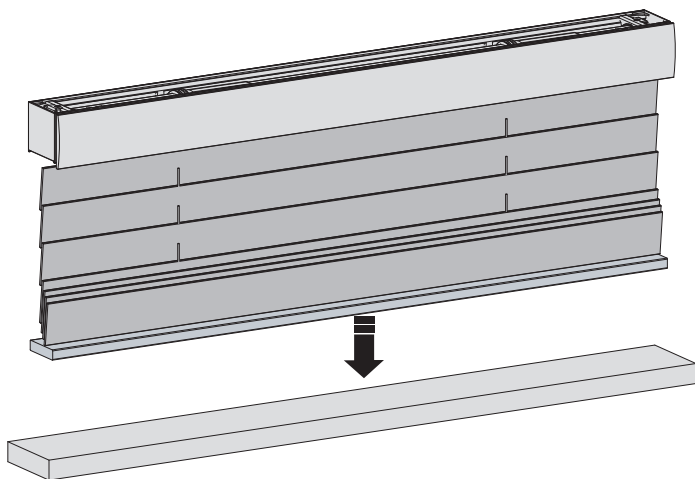
⚠ WARNING: risk of damage. Stop the blind before reaching the end positions.

- 1 Shortly press the down button to check if the blind unrolls the right way. If the blind moves up, the rotational direction must be changed.
- 2 Simultaneously press the up and down button to change the rotational direction.



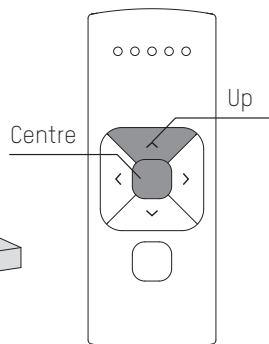
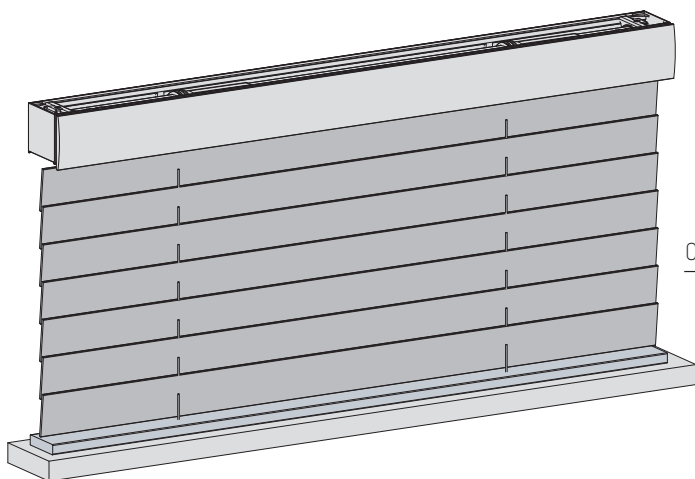
3 Set bottom position

Press and hold the down button until the blind reaches the desired bottom position. **WARNING:** risk of damage. Slowly approach the bottom position.



4 Save bottom position

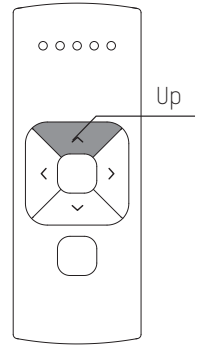
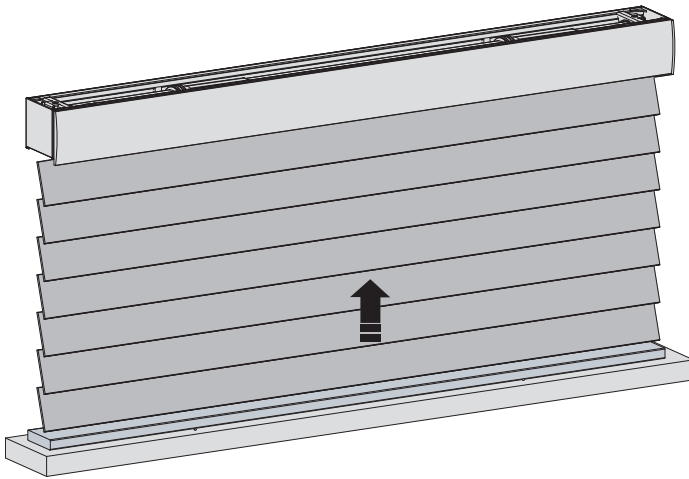
Simultaneously hold the centre and the up button until the blind stops stepping and starts stepping again. The bottom position has been saved.



5 Set top position

Press and hold the up button until the blind reaches the desired top position.

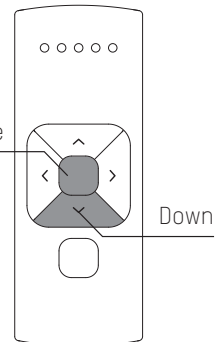
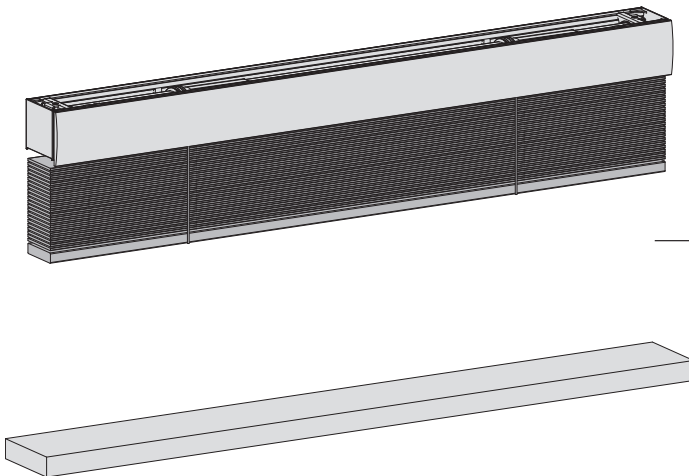
WARNING: risk of damage. Slowly approach the top position.



20

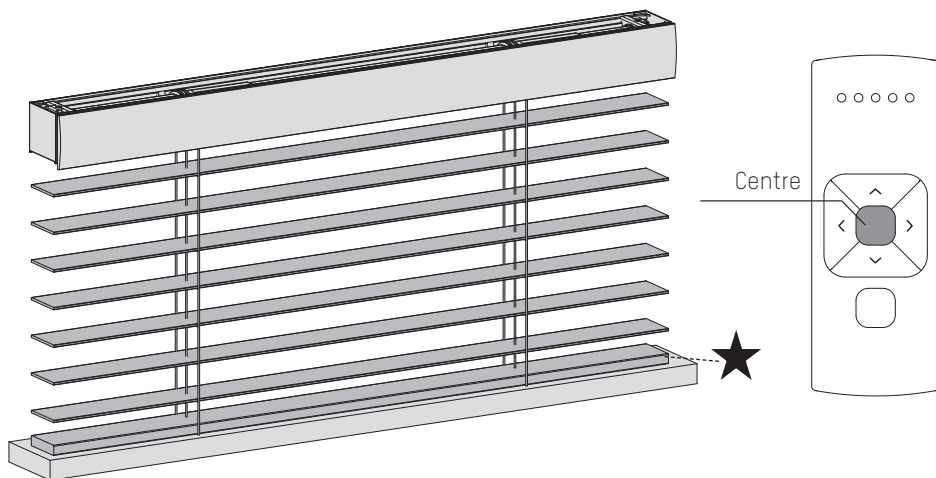
6 Save top position

Simultaneously hold the centre and the down button until the blind stops stepping and starts stepping again. The top position has been saved.



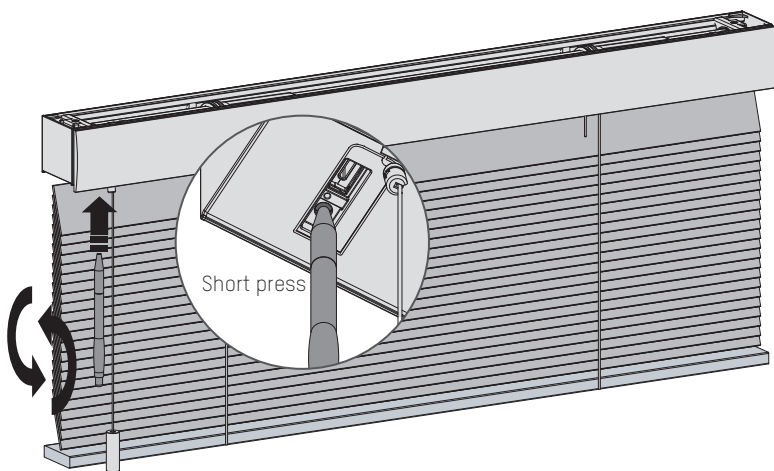
7 Set favorite position (optional)

- 1 Move the blind to a desired favourite position.
- 2 Hold the centre button to save this Favourite position. The blind shortly stops stepping indicating the favourite position has been saved.



8 Deactivate program mode

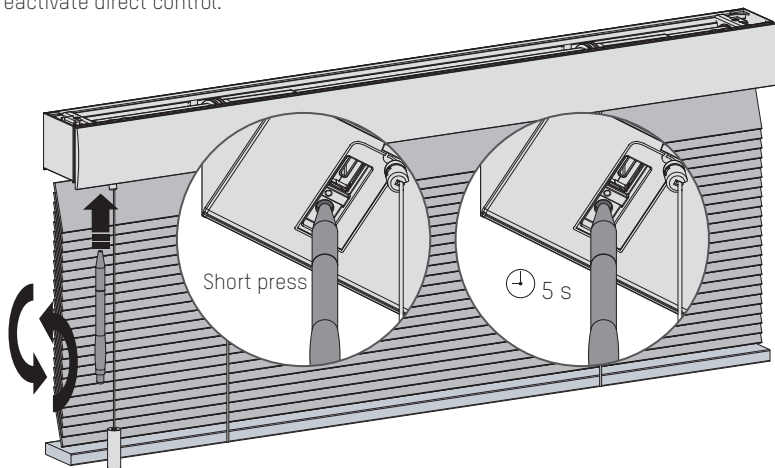
Shortly press the program button to deactivate program mode. The blind stops stepping and can be operated.



i Deactivate direct control for remote control (Not recommended for Venetian)

When pressing the up or down button on the remote control, the blind directly moves to its end positions (direct control). To operate the blind with smaller steps using the up and down button, direct control can be deactivated. Now, the blind only directly moves to its end positions when the up or down button is held longer than two seconds.

- 1** Press the program button on the motor to activate program mode. The blind starts stepping.
- 2** Hold the program button until the blind stops stepping (approximately 5 seconds) to deactivate or reactivate direct control.

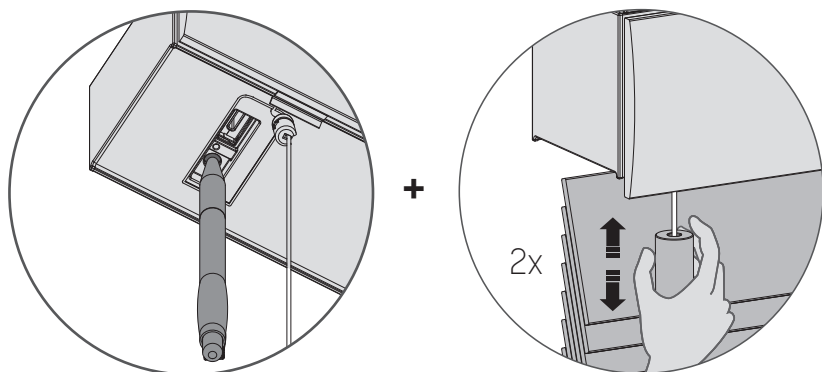


FAQ

i Activate / deactivate the motor (Transport mode)

To prevent the blind from getting damaged, the motor has a transport mode that makes sure the blind will not be activated before installation.

- 1** Hold the program button and pull twice to activate or deactivate the motor. (When the motor is activated a green LED will light up, When the motor is deactivated a red LED will light up)

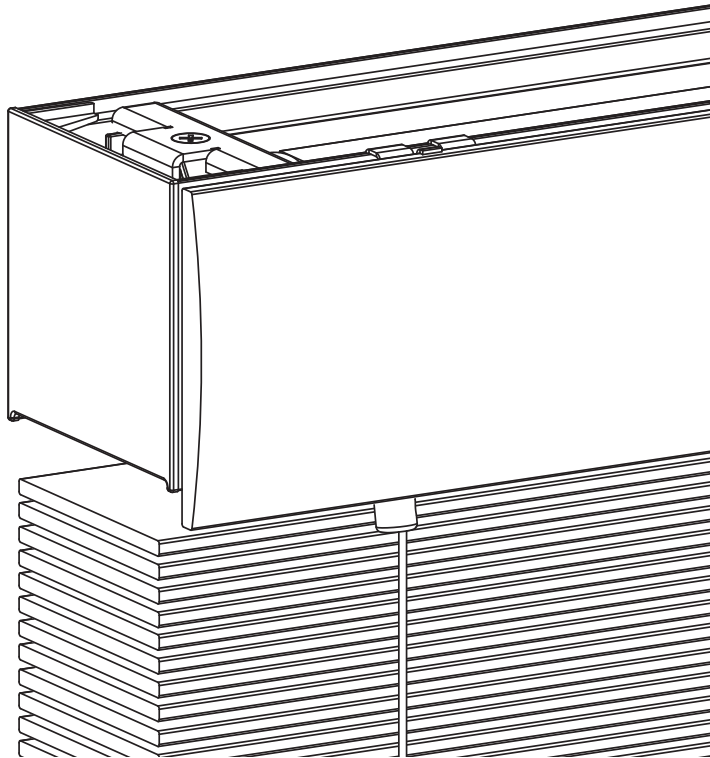


Problem	Cause	Solution
Blind does not work.	Motor is in transport mode.	Activate the motor. See page 4/24.
	Motor battery is empty.	Charge the motor. See page 12.
	Remote battery is empty. (LEDS of remote are flashing rapidly.)	Replace the battery in the remote. See the manual of the remote.
	Remote battery is inserted incorrectly.	Replace the battery in the remote. See the manual of the remote.
	Radio-frequency interference	Make sure that the antenna of the motor is out of the way of metal objects.
	The distance from the phone/bridge/remote to the motor is too far.	Move closer to the motor.
	The remote is not connected to the blind.	Pair the remote with the motor. See page 18.
Motor LED flashes red.	The battery of the motor is empty.	Charge the motor. See page 12.
Blind is not charging.	Charger is not plugged in or does not work.	Try a different charger or make sure the charger is plugged in the outlet.
Multiple blinds respond to a remote. (Unable to program a single blind)	Multiple blinds are paired with a single channel.	Pair the blind with a free channel to program or use single select to program the blind.
Blind moves in small steps.	1) No end limits are programmed. 2) Direct control is deactivated.	1) Program end limits. See page 6-7, 18-20. 2) Activate direct control. See page 22.
Favourite position can not be programmed.	No end limits are programmed.	Program end limits. See page 6-7, 18-20.
Blind lowers too far.	End limits are programmed incorrectly.	Reprogram end limits. See step 6-7, 18-20.
Blind moves in the opposite direction.	The rotational direction has been set incorrectly.	Change the rotational direction. See page 11, 18.
The blind keeps moving up and down.	The blind is in program mode.	Press the program button on the motor to exit program mode.
The blind will not connect with your Thread-network.	The blinds connection is not stable.	1) Turn on Bluetooth 2) De-activate the motor and re-activate the motor and try to connect again. See page 28 3) Close the app and reconnect with your motor.

Gebrauchsanweisung

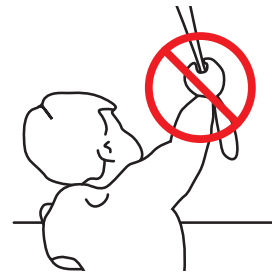
Jalousie

Rohrmotor CM-06-E-V



ACHTUNG

Lesen Sie die Gebrauchsanweisung sorgfältig vor der Montage und Verwendung des Produkts. Montage kann durch Nicht-Profis gemacht sein. Nur für den Innenbereich.



- Kleine Kinder können durch Schlingen in Zugschnüren, Ketten, Gurten und innen befindlichen Schnüren zum Betätigen des Produktes stranguliert werden.
- Schnüre sind aus der Reichweite von Kindern zu halten, um Strangulierung und Verwicklung zu vermeiden.

- Der Hals eines Kindes kann in Schnüre verwickelt werden.
- Betten, Kinderbetten und Möbel sind entfernt von Schnüren für Fensterdekorationen aufzustellen.
- Schnüre dürfen nicht miteinander verknüpft werden.
- Es ist sicherzustellen, dass sich Schnüre nicht verwickeln und eine Schlinge bilden.

Reinigung

Befolgen Sie bei der Reinigung des Systems und der einzelnen Komponenten diese allgemeinen Regeln:

- Verwenden Sie ein feuchtes, weiches und fusselfreies Tuch. Achten Sie darauf, dass keine Feuchtigkeit in Öffnungen eindringt.
- Verwenden Sie keine Sprays, Lösungsmittel, Alkohol oder Scheuermittel.

Service & Support

Führen Sie Reparaturen nie selbst durch. Versuchen Sie nicht das System zu öffnen oder auseinanderzunehmen. Sie riskieren einen Elektroschock und setzen gegebenenfalls die Garantie außer Kraft. Es befinden sich keine durch den Benutzer zu wartenden Teile im Inneren des Systems.

Garantieservice

Folgen Sie zunächst den Hinweisen dieser Bedienungsanleitung. Sollte das Produkt beschädigt sein oder nicht

korrekt funktionieren, wenden Sie sich bitte an einen Vertragshändler vor Ort, um gegebenenfalls die Produktgarantie in Anspruch zu nehmen.

Recycling

Dieses Zeichen bedeutet, dass das vorliegende Produkt innerhalb der EU nicht zusammen mit dem Hausmüll entsorgt werden darf. Um mögliche Umwelt- oder Gesundheitsschäden durch unkontrollierte Abfallentsorgung zu vermeiden, sollten Sie dieses Produkt von anderen Abfällen trennen und es verantwortungsbewusst recyceln, damit die darin enthaltenen Rohstoffe nachhaltig wiederverwertet werden können. Verwenden Sie zur Rückgabe Ihres gebrauchten Geräts bitte die entsprechenden Rückgabe- und Sammelsysteme, oder wenden Sie sich an den Händler, bei dem das Produkt gekauft wurde. Er kann dieses Produkt annehmen und einer umweltfreundlichen Wiederverwertung zuführen.

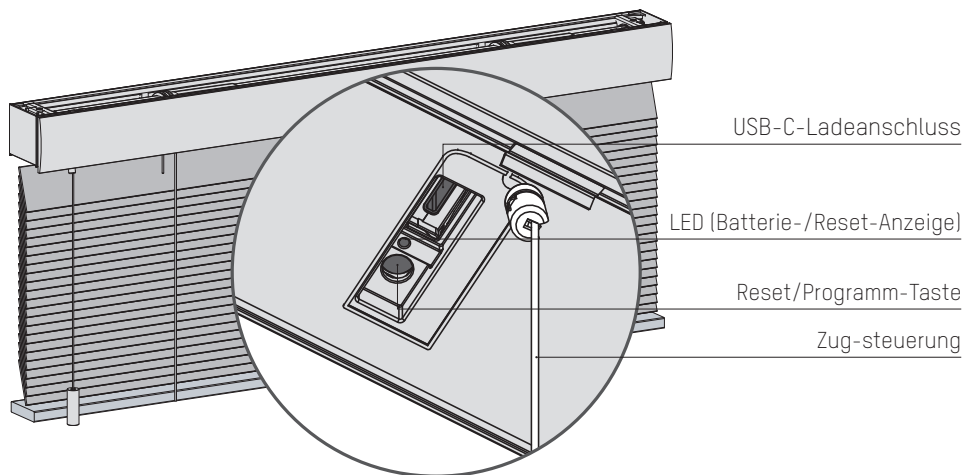


IP 20



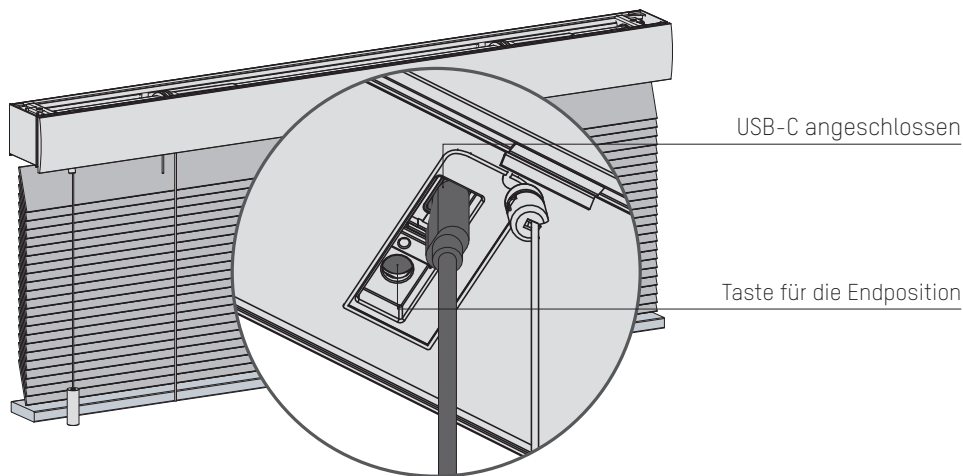
Conforms to
UL Std. 325
Certified to
CSA Std. C22.2#247

i Tasten und Funktionen



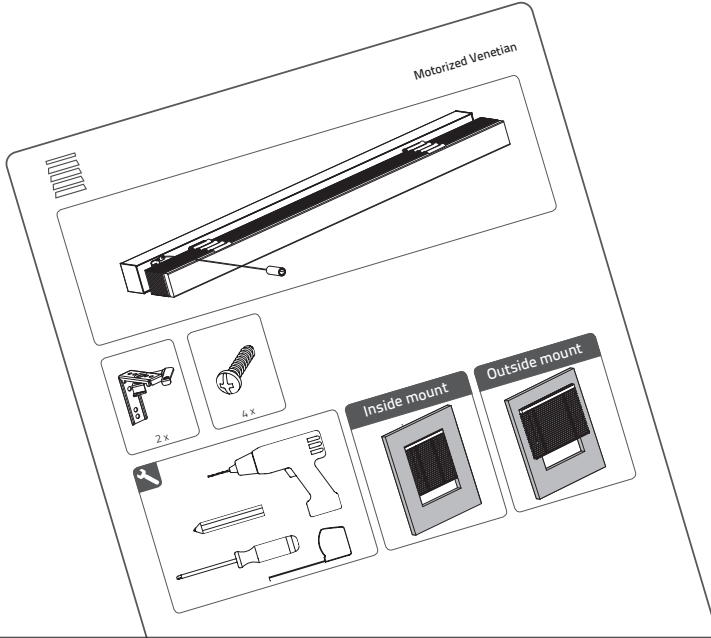
i Programm-Modi

Wenn ein USB-C-Kabel angeschlossen und mit Strom versorgt wird, ändert sich die Funktion der Reset-/Programmtaste automatisch, so dass die Endpositionen mit dieser Taste eingestellt werden können. Solange das USB-C-Kabel angeschlossen und mit Strom versorgt ist, können die Standard-Reset-/Programmfunktionen nicht verwendet werden.



1 Jalousie installieren

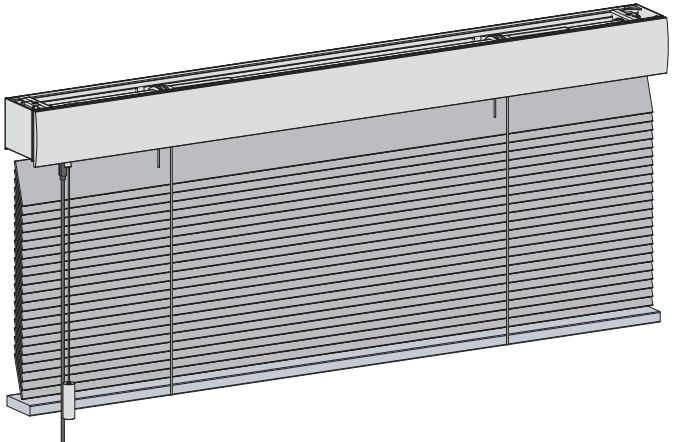
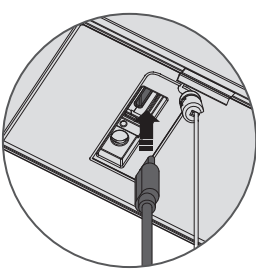
Folgen Sie den Schritten in der Montageanleitung, um das Jalousie zu montieren.



4

2 Aktivieren Sie das Jalousie

Um das Jalousie zu aktivieren, schließen Sie es über ein USB-C-Kabel an eine standardmäßige USB-C 5V-Stromversorgung an. Das kann z. B. das Netzteil Ihres Smartphones sein.



3 Eve MotionBlinds zu Ihrer Plattform hinzufügen

Fügen Sie Eve MotionBlinds zu der Plattform Ihrer Wahl hinzu und stellen Sie sicher, dass Sie einen kompatiblen Thread Border Router haben.

Weitere Informationen: motionblinds.com/eve/matter

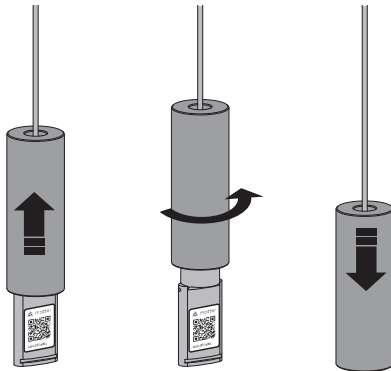


4 Jalousie einrichten

Jetzt können Sie Eve MotionBlinds in nur wenigen Schritten zu Ihrem Smart Home hinzufügen, indem Sie den Matter Setup Code mit der App Ihrer bevorzugten Plattform scannen. Scannen Sie den Matter Setup Code, um ihn Ihrer Plattform hinzuzufügen.

Eve MotionBlinds benötigt Endpositionen, um richtig zu funktionieren. Die Endlagen können auf 2 Arten programmiert werden. In der Eve App oder über die taste für die Endposition an Ihrer Jalousie. (Schritt 5)

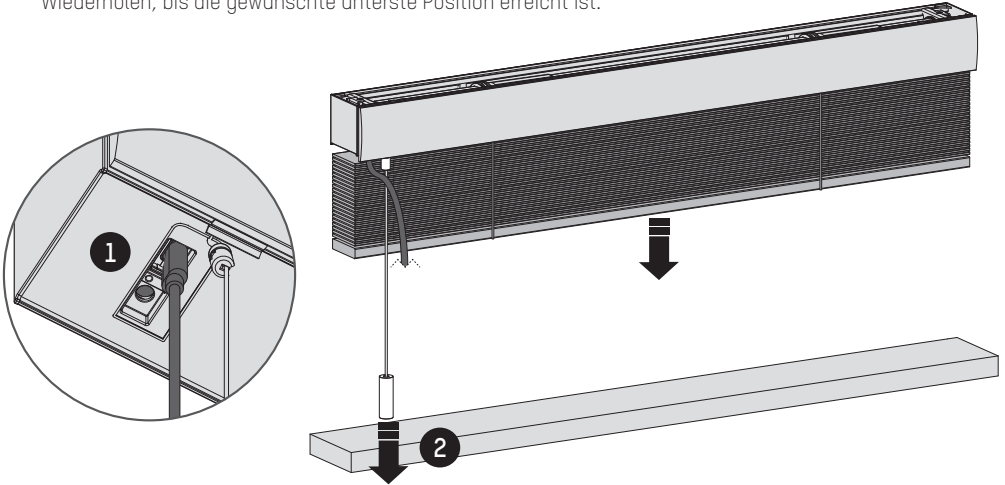
Nach dem Scannen können Sie Ihren Matter Setup Code ausblenden.



5 Endpositionen einstellen

Die Endpositionen lassen sich über die App, aber auch durch Betätigen der Endposition-Taste am Motor einstellen. 1: Um in diesen Programmmodus zu kommen, stellen sie sicher, dass das USB-C-Kabel angeschlossen und mit Strom versorgt ist (siehe Seite 3). 2: Dazu am Schnurzug ziehen und gezogen halten, bis das Jalousie die unterste Position erreicht hat. Wenn das Jalousie sich in die entgegengesetzte Richtung bewegt, Schnurzug loslassen, dann erneut ziehen und halten.

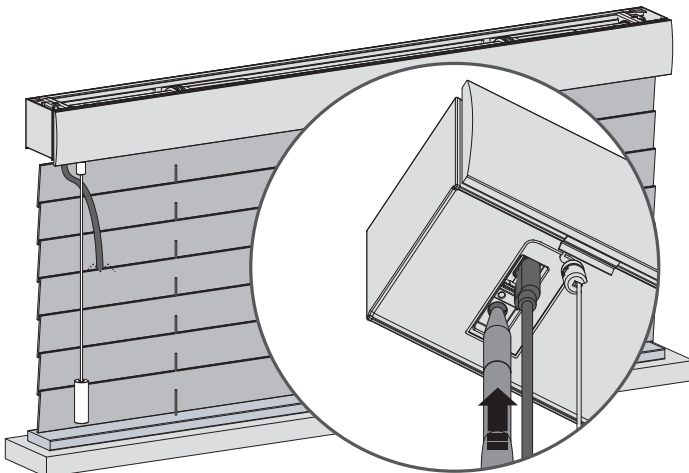
Wiederholen, bis die gewünschte unterste Position erreicht ist.



6

6 Speichern der untersten Position

Wenn sich das Jalousie in der untersten Position befindet, Taste gedrückt halten, bis das Jalousie hoch- und runterfährt, um die gewünschte unterste Position zu speichern.

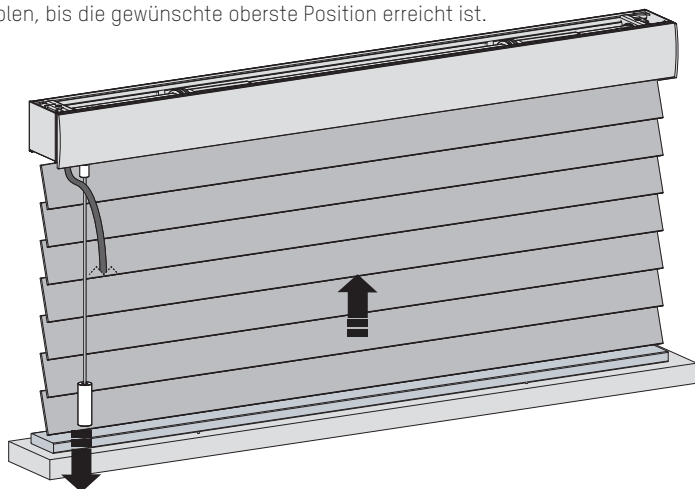


7 Jalousie in die oberste Position bringen

Am Schnurzug ziehen und gezogen halten, bis das Jalousie die oberste Position erreicht hat.

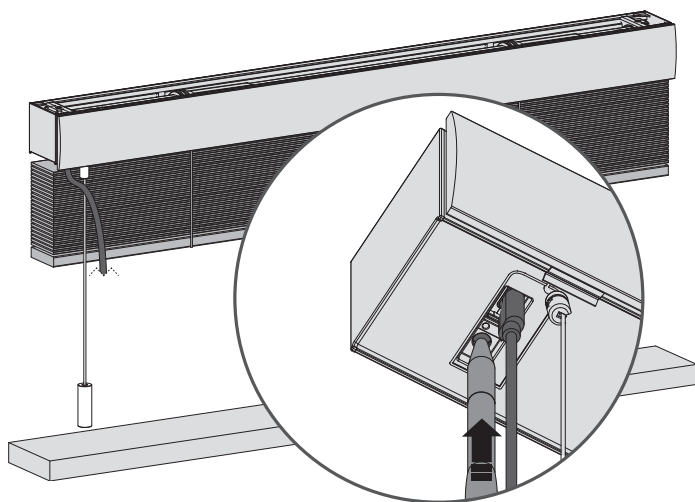
WARNUNG: Risiko der Beschädigung. Jalousie langsam in die oberste Position bringen. Wenn das Jalousie sich in die entgegengesetzte Richtung bewegt, Schnurzug loslassen, dann erneut ziehen und halten.

Wiederholen, bis die gewünschte oberste Position erreicht ist.



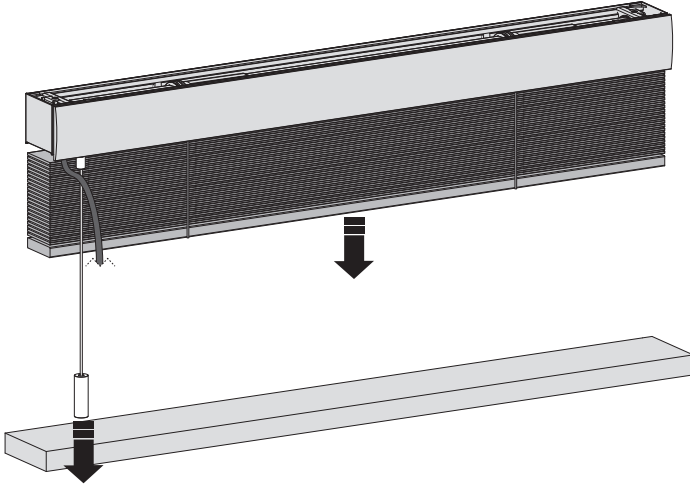
8 Speichern der obersten Position

Wenn sich das Jalousie in der obersten Position befindet, Taste gedrückt halten, bis das Jalousie hoch- und runterfährt, um die gewünschte oberste Position zu speichern.



9 Endpositionen ändern

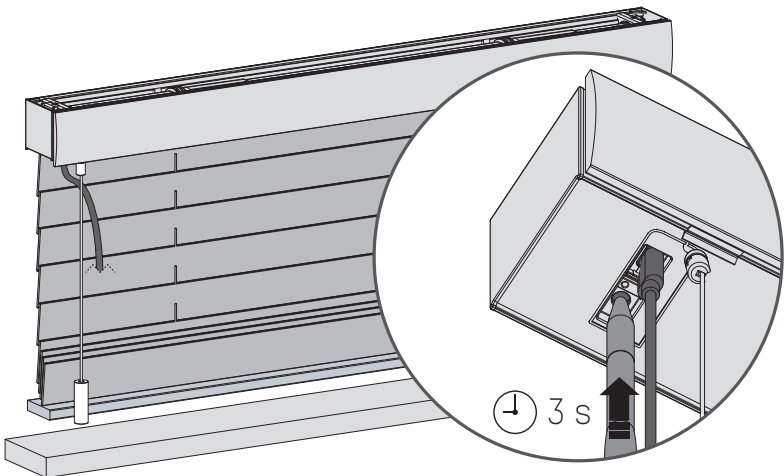
Zum Ändern einer der Endpositionen muss das Jalousie in die zu ändernde Endposition gebracht werden. Am Schnurzug ziehen und warten, bis das Jalousie die zu ändernde Endposition erreicht hat.



8

10 Löschen der (untersten/obersten) Position

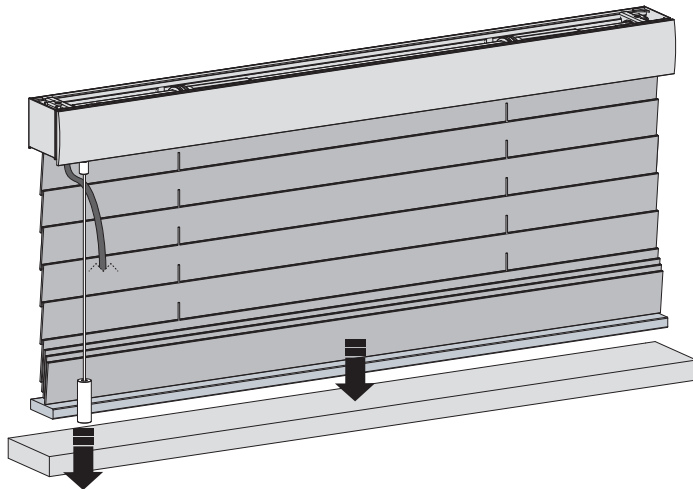
Programmiertaste für die Endposition 3 Sekunden lang gedrückt halten, um die (unterste/oberste) Position zu löschen. Das Jalousie macht eine einzige stufenartige Hoch-/Runterbewegung und signalisiert damit, dass die Endposition gelöscht wurde. Es kann nun eine neue (unterste/oberste) Position eingestellt werden.



11 Jalousie in die neue (unterste) Position bringen

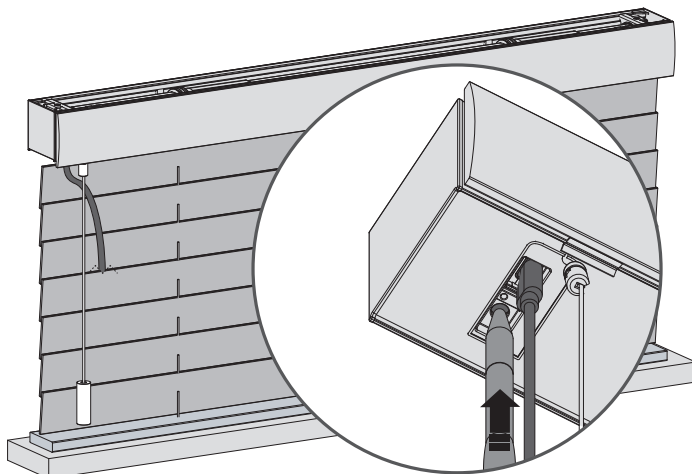
Am Schnurzug ziehen und gezogen halten, bis das Jalousie die unterste Position erreicht hat. Wenn das Jalousie sich in die entgegengesetzte Richtung bewegt, Schnurzug loslassen, dann erneut ziehen und halten.

Wiederholen, bis die gewünschte unterste Position erreicht ist.



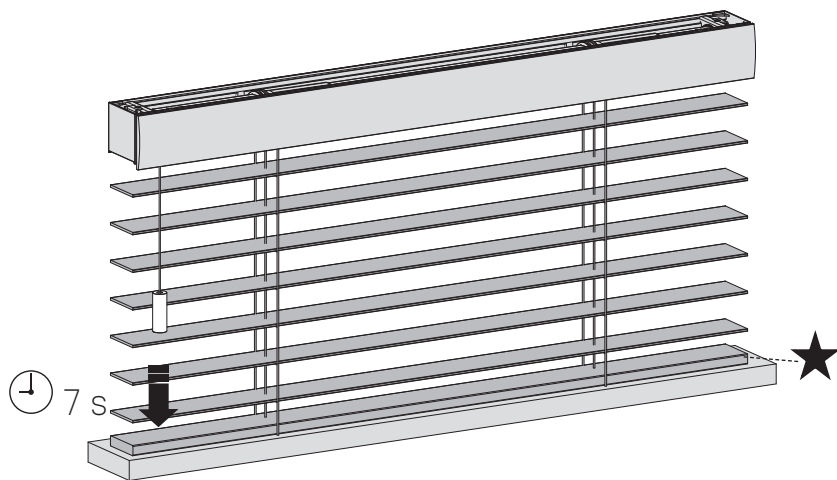
12 Speichern der (untersten) Position

Wenn sich Ihr Jalousie in der untersten Position befindet, Taste gedrückt halten, bis das Jalousie hoch- und runterfährt, um die gewünschte unterste Position zu speichern.



13 Speichern der bevorzugten Position

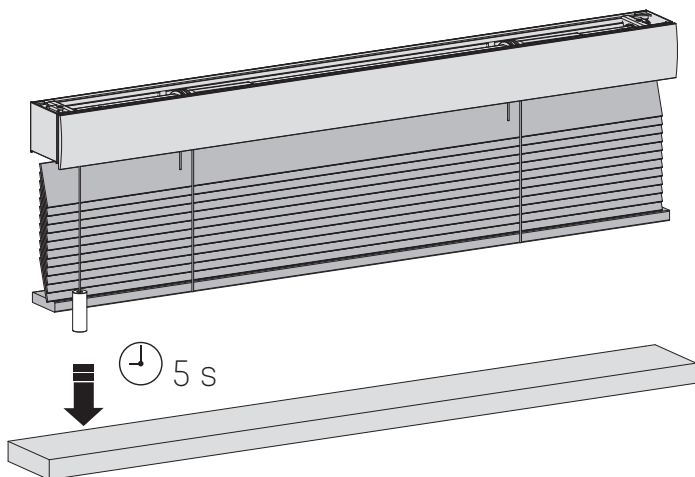
Wenn keine bevorzugte Position eingestellt ist, Jalousie zunächst in die bevorzugte Position bringen. Wenn sich das Jalousie in der bevorzugten Position befindet, Schnurzug gezogen halten, bis das Jalousie eine stufenartige Hoch-/Runterbewegung macht (ca. 7 Sekunden).



10

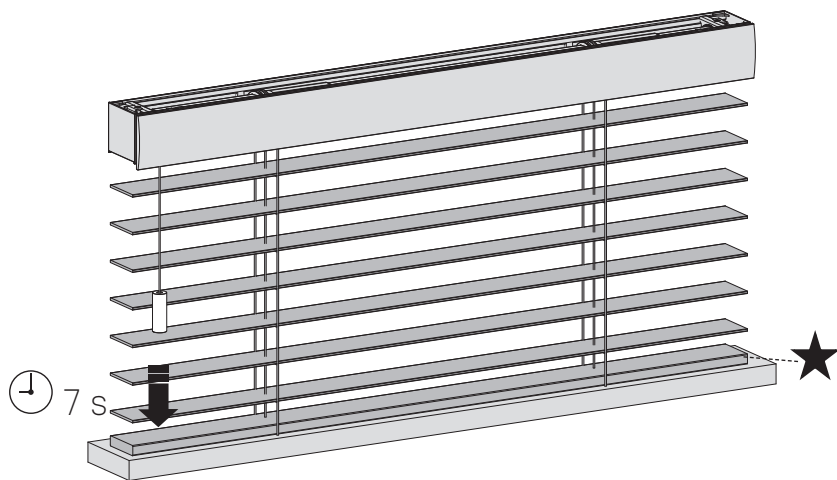
14 Bevorzugte Position des Jalousies überprüfen

Wenn sich das Jalousie nicht in der bevorzugten Position befindet, Schnurzug 5 Sekunden lang gezogen halten und das Jalousie fährt in die bevorzugte Position.



15 Speichern der neuen bevorzugten Position

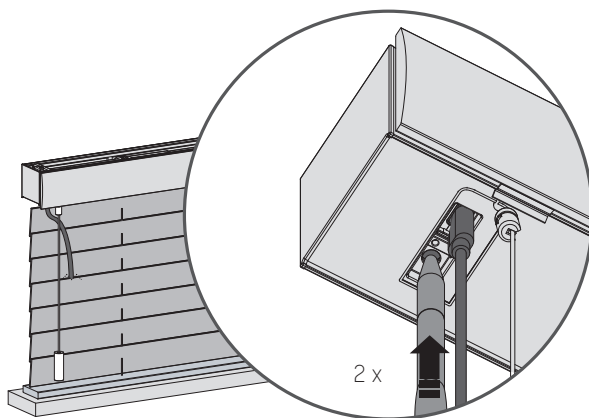
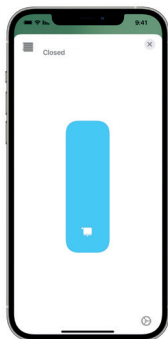
Um die bisherige bevorzugte Position zu löschen, Jalousie zunächst in die aktuelle bevorzugte Position bringen. (Schritt 14) Schnurzug so lange gezogen halten, bis das Jalousie die stufenartige Hoch-/Runterbewegung einmal ausführt (ungefähr 7 Sekunden). Die bisherige bevorzugte Position wurde gelöscht. Schritt 13 befolgen, um die neue bevorzugte Position einzustellen.



11

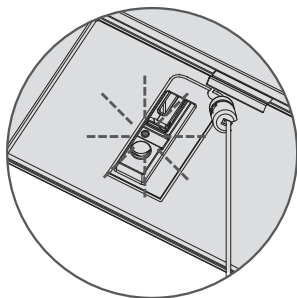
i Ändern der Rotationsrichtung

Ist die Position des Jalousies in der App entgegengesetzt zu der des Jalousies, Rotationsrichtung ändern, indem man innerhalb einer Sekunde zweimal die Endposition-Taste drückt.

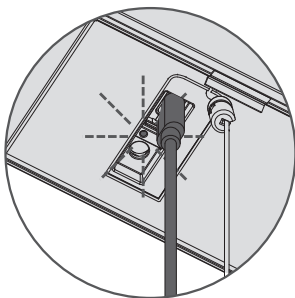


i Jalousie wiederaufladen

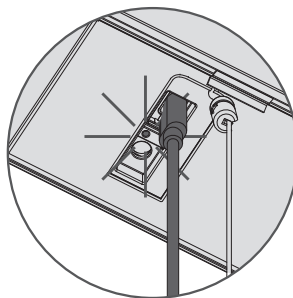
Zum Aufladen des Jalousie-Motors über ein USB-C-Kabel an eine herkömmliche USB-C 5V-Stromversorgung anschließen. Beispielsweise an das Netzteil eines Smartphone. Mindestens einmal im Jahr aufladen.



LED blinkt rot während
des Betriebs;
Batterie aufladen



LED blinkt grün;
Batterie wird
geladen



LED leuchtet dauer-
haft grün; Batterie ist
vollständig geladen

Wichtige Sicherheitshinweise

WARNUNG: Zur Vermeidung von Verletzungs- und Todesrisiken. Für die Sicherheit von Menschen ist es wichtig, diese Hinweise zu beachten. Speichern Sie diese Hinweise.

- Lesen und befolgen Sie sämtliche Installationshinweise
- Dieses Gerät kann von Kindern ab 8 Jahren sowie Personen mit eingeschränkten körperlichen, sensorischen oder mentalen Kapazitäten oder mit einem Mangel an Erfahrung und Wissen verwendet werden, sofern diese Personen Aufsicht oder Anweisungen in Bezug auf die sichere Nutzung dieses Geräts erhalten haben und die eingeschlossenen Risiken kennen. Kinder sollten nicht mit dem Gerät spielen. Kinder sollten das Gerät nicht ohne Aufsicht reinigen oder warten.
- Erlauben Sie es Kindern nicht, mit fest angebrachten Steuerungselementen zu spielen. Bewahren Sie Fernbedienungen außerhalb der Reichweite von Kindern auf.
- Untersuchen Sie die Installation regelmäßig auf Ungleichgewicht sowie Zeichen von Verschleiß oder Schaden an Kabeln und Sprungfedern. Verwenden Sie das Gerät nicht, wenn Reparaturen oder Anpassungen erforderlich sind.
- Diese Bedienungshinweise sind auch auf der Webseite verfügbar.
- Der Antrieb sollte während der Reinigung, der Wartung sowie bei dem Ersetzen von Teilen von seiner Stromquelle abgeschlossen werden.
- Der A-bewertete Emissionsschalldruckpegel beträgt höchstens 70dB(A).
- Verwendung nur im Innenbereich und Haushalt.
- Untersuchen Sie die Installation regelmäßig auf Ungleichgewicht sowie Zeichen von Verschleiß oder Schaden an Kabeln und sprungfedern. Verwenden sie das Gerät nicht, wenn Reparaturen oder Anpassungen erforderlich sind.
- Trennen Sie das Gerät von der Stromquelle oder schalten Sie die automatische Steuerung aus, wenn in der Umgebung Reinigungs- oder Wartungsarbeiten wie beispielsweise Fensterputzen vorgenommen werden.
- Bei der Verwendung eines Totmannschalters sollten Sie sicherstellen, dass andere Personen Abstand halten.
- Verwenden Sie das Gerät nicht, wenn in der Umgebung Reinigungs- oder Wartungsarbeiten wie beispielsweise Fensterputzen vorgenommen werden.

- Der Rohrmotor darf nur mit extraniedriger Sicherheitsspannung geliefert werden, entsprechend der Markierung auf dem Gerät.
- Die maximale Betriebstemperatur des Motors beträgt +55°C. Die maximale Ladetemperatur des Akkupacks beträgt +45°C.
- Dieses Gerät enthält nicht ersetzbare Batterien.

Wichtige Installationshinweise

WARNUNG: Wichtige Sicherheitshinweise. Befolgen Sie sämtliche Hinweise, da eine fehlerhafte Installation zu ernststen Verletzungen führen kann.

- Dieser Motor kann nur mit weichen Materialien für die Antriebsteile verwendet werden.
- Gefährliche ungeschützte bewegliche Teile des Antriebs sollten mehr als 2,5m über dem Boden bzw. einer anderen Oberfläche, von der aus auf das Gerät zugegriffen werden kann, installiert werden.
- Installieren Sie das betätigende Element der Handauslösung auf einer Höhe von weniger als 1,8m.
- Das betätigende Element eines Totmannschalters sollte sich in Direktsicht des Antriebsteils befinden, aber entfernt von den beweglichen Teilen. Es sollte auf mindestens 1,5m Höhe installiert werden und nicht erreichbar für andere Personen sein.
- Die Masse und Maße der Antriebsteile sollte kompatibel sein mit dem Nenndrehmoment und der Nennbetriebszeit.
- Die festen Stüterelemente sollten nach der Installation deutlich sichtbar sein.
- Das Antriebsteil sollte kompatibel sein mit dem Nenndrehmoment 6.0 N.m und der Nennbetriebszeit (12min).
- Minimaler Rohrdurchmesser: $\varnothing 42\text{mm}$.
- Der Antrieb sollte auf einer Höhe von mindestens 2,5m oberhalb des Bodens bzw. einer anderen Oberfläche, von der aus das Gerät erreicht werden kann, installiert werden
- Die allpolige Trennung muss gemäß den Verdrahtungsregeln in die feste Verkabelung integriert werden.
- Das Gerät darf nur mit Schutzkleinspannung entsprechend der Kennzeichnung auf dem Gerät betrieben werden.
- Entfernen Sie vor der Installation des Laufwerks alle nicht benötigten Kabel oder Komponenten und schalten Sie alle Geräte aus, die nicht für den Betrieb benötigt werden.

1 FCC Information für Benutzer

Dieses Produkt enthält keine durch den Benutzer zu wartenden Komponenten und darf ausschließlich mit genehmigten Antennen verwendet werden. Jegliche Änderungen oder Modifizierungen des Produkts machen sämtliche regulatorischen Zertifikate und Genehmigungen ungültig.

2 FCC Hinweis zu elektronischen Emissionen

Dieses Gerät entspricht Abschnitt 15 der FCC-Richtlinien.

Bei Betrieb müssen die folgenden zwei Bedingungen erfüllt sein:

1. Dieses Gerät darf keine schädigenden Interferenzen verursachen
2. Dieses Gerät muss jede empfangene Interferenz akzeptieren, einschließlich Interferenz, die unerwünschten Betrieb zur Folge haben könnte.

3 FCC Funkstörungserklärung

Dieses Gerät wurde getestet. Es wurde festgestellt, dass es die Begrenzungen für ein digitales Gerät der Klasse B erfüllt, wie in Abschnitt 15 der FCC Richtlinien ausgeführt. Diese Begrenzungen dienen dazu, angemessene Sicherheit gegen schädigende Interferenzen zu wahren, wenn das Gerät in einer kommerziellen Umgebung betrieben wird. Dieses Gerät erzeugt und nutzt Hochfrequenzenergie und kann dieselbe ausstrahlen. Wenn es nicht gemäß den Hinweisen installiert und verwendet wird, kann es schädigende Interferenzen für Funkgeräte verursachen. Der Betrieb dieses Geräts in einer Wohnumgebung kann schädigende Interferenzen verursachen. In diesem Fall muss der Benutzer die Interferenz auf seine eigenen Kosten korrigieren. Sollte das Gerät schädigende Interferenzen für Radio- oder Fernsehempfang verursachen, was durch das An- und Abschalten des Geräts festgestellt werden kann, sollte der Benutzer versuchen, die Interferenz mit einer oder mehreren der folgenden Methoden zu korrigieren:

- Richten Sie die Empfangsantennen neu aus oder platzieren Sie sie anders.
- Vergrößern Sie den Abstand zwischen dem Gerät und dem Empfänger
- Verbinden Sie das Gerät mit einer Steckdose eines anderen Stromkreises als jener, mit dem der Empfänger verbunden ist
- Bitten Sie den Händler oder einen erfahrenen Radio-/TV-Techniker um Rat

EU-Konformitätserklärung

Hiermit erklärt Coulisse, dass der Funkgerätetyp CM-06-E-V die Richtlinie 2014/53/EU erfüllt. Der vollständige Text der EU-Konformitätserklärung ist im Internet unter folgender Adresse verfügbar: support.motionblinds.com

- Frequenzbereich: 433 MHz, HF-Leistung: 2.32 dBm
- Frequenzbereich BLE: 2402 - 2480 MHz, HF-Leistung: 3 dBm EIRP
- Frequenzbereich Thread: 2405 - 2480 MHz, HF-Leistung: < 20 dBm EIRP

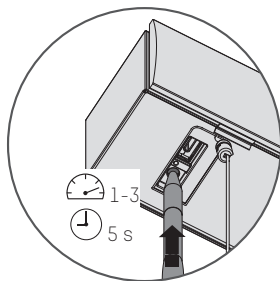
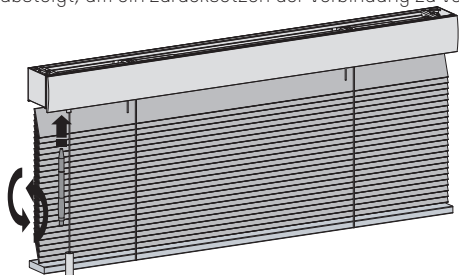
ISED-Konformität

Dieses Gerät enthält lizenzbefreite(n) Sender/ Empfänger lizenzbefreite(n) Sender/Empfänger, die den Anforderungen der Innovation, Science and Economic Development Canada' lizenzbefreite RSS(s). Der Betrieb unterliegt den folgenden zwei Bedingungen: Dieses Gerät darf keine Störungen verursachen. Dieses Gerät muss alle Interferenzen akzeptieren, einschließlich Störungen die einen unerwünschten Betrieb des Geräts verursachen können.

i Motordrehzahl / Geräuschpegel ändern

⚠️ WARNUNG: Achten Sie darauf, dass das USB-C-Kabel entfernt wird. Andernfalls werden Sie die Endbegrenzungen löschen.

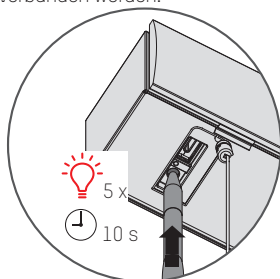
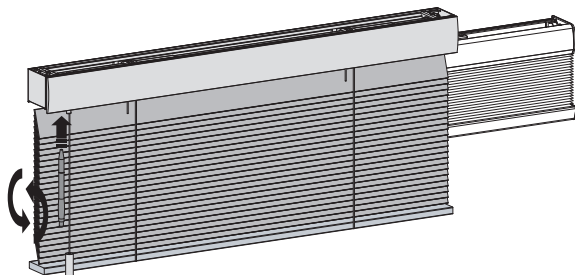
Halten Sie die Programmtaste 5 Sekunden lang gedrückt, um die Motorgeschwindigkeit/den Geräuschpegel zu ändern. Das Jalousie fährt einmal auf und ab, um anzuzeigen, dass die Geschwindigkeit auf eine der 3 Stufen eingestellt wurde. Achtung: Lassen Sie die Taste nach 5 Sekunden los, wenn das Jalousie auf- und absteigt, um ein Zurücksetzen der Verbindung zu vermeiden.



i Rücksetzen der Verbindung

⚠️ WARNUNG: Achten Sie darauf, dass das USB-C-Kabel entfernt wird. Andernfalls werden Sie die Endbegrenzungen löschen.

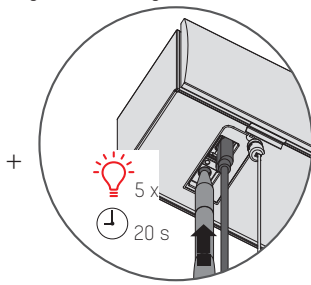
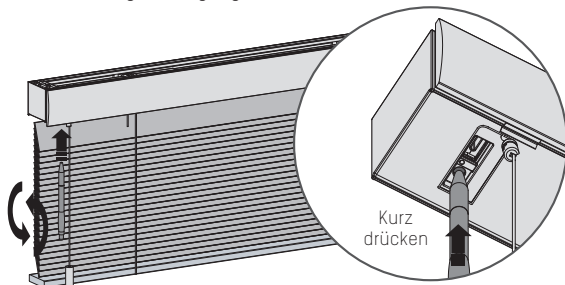
Halten Sie die Programmertaste 10 Sekunden lang gedrückt, um die Verbindung zwischen dem Jalousie und der App zu löschen. Die LED leuchtet 5 Mal auf und das Jalousie fährt einmal auf und ab, um anzuzeigen, dass die Verbindung zurückgesetzt wurde. Nun kann das Jalousie wieder verbunden werden.



i Jalousie-Motor auf Werkseinstellungen zurücksetzen

⚠️ WARNUNG: Achten Sie darauf, dass das USB-C-Kabel entfernt wird. Andernfalls werden Sie die Endbegrenzungen löschen.

Durch Zurücksetzen des Jalousie-Motors werden die Endpositionen des Jalousies und die Kopplungen des Motors mit Apps und Fernbedienungen gelöscht. Programmierertaste kurz drücken, um den Programmiermodus zu aktivieren. Das Jalousie beginnt mit einer stufenartigen Hoch-/Runterbewegung. Reset-/Programmierertaste mindestens 20 Sekunden lang gedrückt halten, um den Jalousie-Motor zurückzusetzen. Das Jalousie unterbricht die stufenartige Bewegung zwei Mal. Nach der zweiten Unterbrechung macht das Jalousie noch eine stufenartige Bewegung, um das Zurücksetzen auf Werkseinstellungen zu bestätigen.

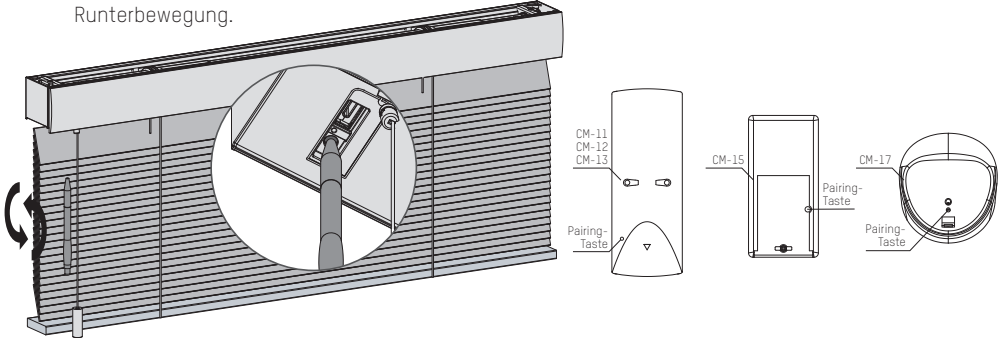


PROGRAMMIEREN DER FERNBEDIENUNG

1 Mit einer Fernbedienung koppeln

Alle MotionBlinds-Fernbedienungen können mit dem Jalousie-Motor verbunden werden.

- 1 Kanal auf der Fernbedienung auswählen und die Programmier-taste am Motor betätigen, um den Programmiermodus zu aktivieren. Das Jalousie beginnt mit einer stufenartigen Hoch-/Runterbewegung.



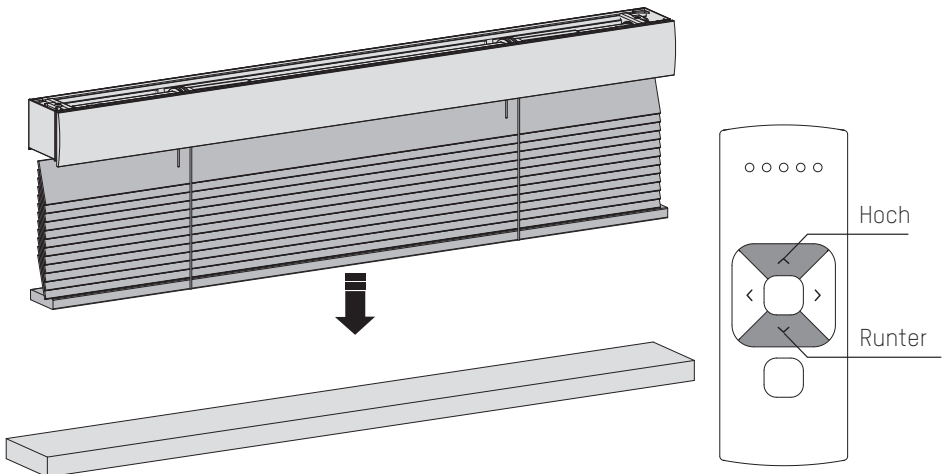
- 2 Pairing-Taste an der Rückseite der Fernbedienung betätigen, um den Jalousie-Motor mit dem gewählten Kanal zu koppeln. Die stufenartige Bewegung hört auf und signalisiert, dass die Fernbedienung mit dem Jalousie gekoppelt wurde.
- 3 Programmier-taste kurz drücken, um den Programmiermodus zu deaktivieren. Das Jalousie beendet die stufenartige Bewegung und ist betriebsbereit.

18

2 Überprüfen der Rotationsrichtung

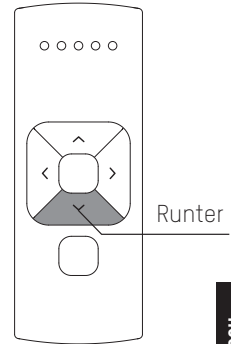
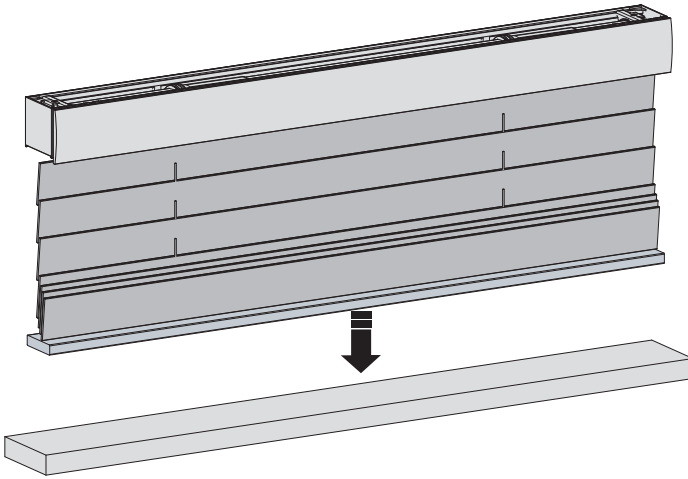
! WARNUNG: Risiko der Beschädigung. Jalousie anhalten, bevor es die Endpositionen erreicht.

- 1 Runter-Taste kurz drücken, um zu prüfen, ob das Jalousie sich in der richtigen Richtung abrollt. Wenn das Jalousie hochfährt, muss die Rotationsrichtung geändert werden.
- 2 Hoch- und Runter-Taste gleichzeitig drücken, um die Rotationsrichtung zu ändern.



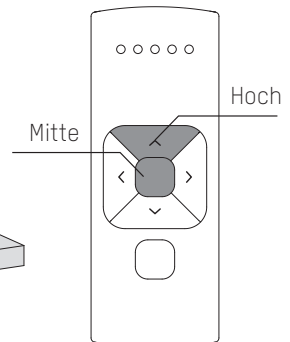
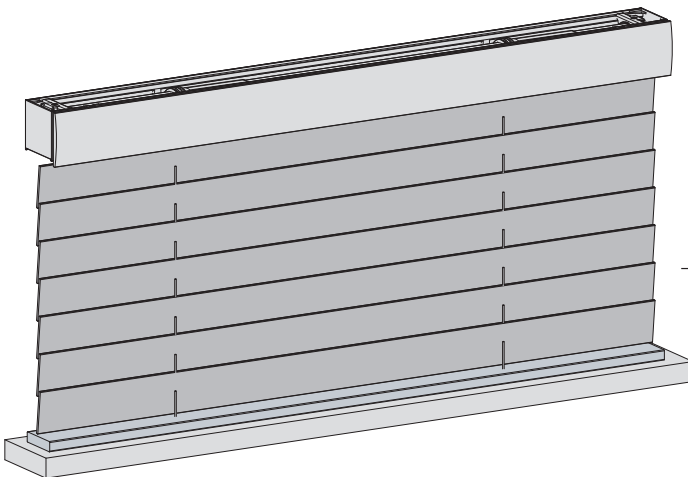
3 Einstellen der untersten Position

Runter-Taste drücken und gedrückt halten, bis das Jalousie die gewünschte unterste Position erreicht hat. **WARNUNG:** Risiko der Beschädigung. Jalousie langsam in die unterste Position bringen.



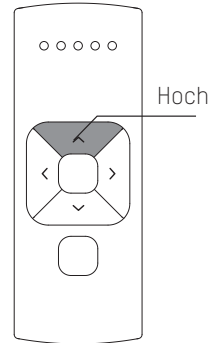
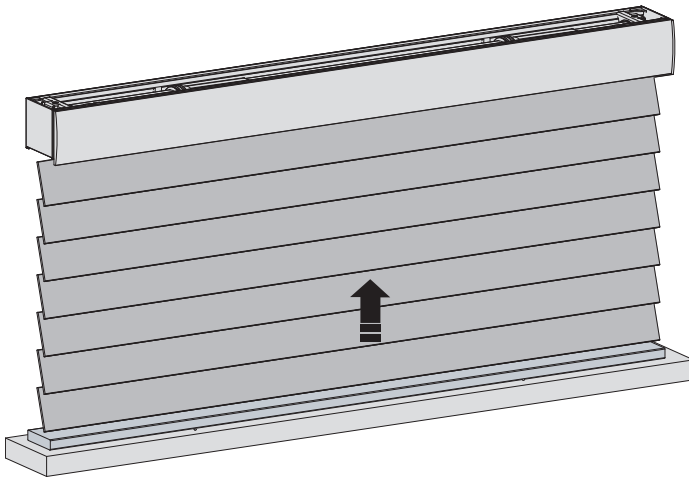
4 Speichern der untersten Position

Mitte- und Hoch-Taste gleichzeitig gedrückt halten, bis das Jalousie die stufenartige Bewegung unterbricht und erneut beginnt. Die unterste Position wurde gespeichert.



5 Einstellen der obersten Position

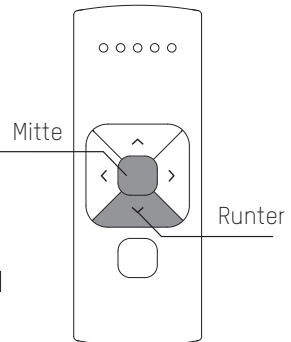
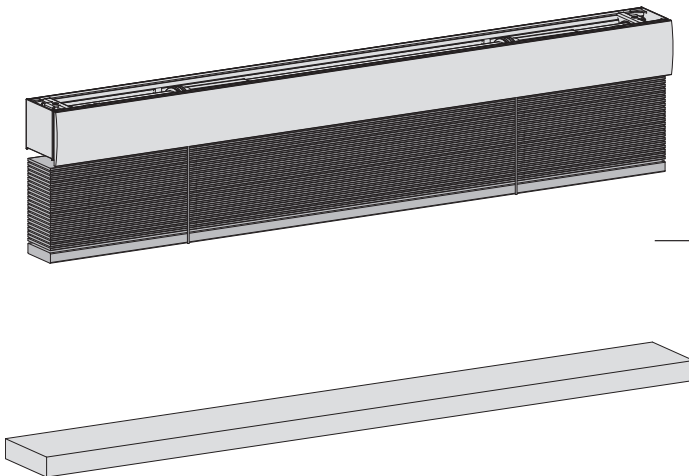
Hoch-Taste drücken und gedrückt halten, bis das Jalousie die gewünschte oberste Position erreicht. **WARNUNG:** Risiko der Beschädigung.
Jalousie langsam in die oberste Position bringen.



20

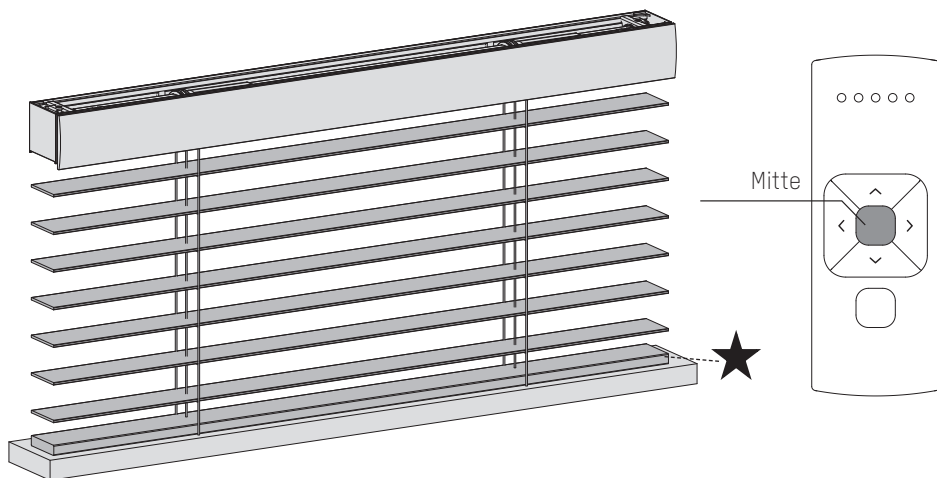
6 Speichern der obersten Position

Mitte- und Runter-Taste gleichzeitig gedrückt halten, bis das Jalousie die stufenartige Bewegung unterbricht und wieder beginnt. Die oberste Position wurde gespeichert.



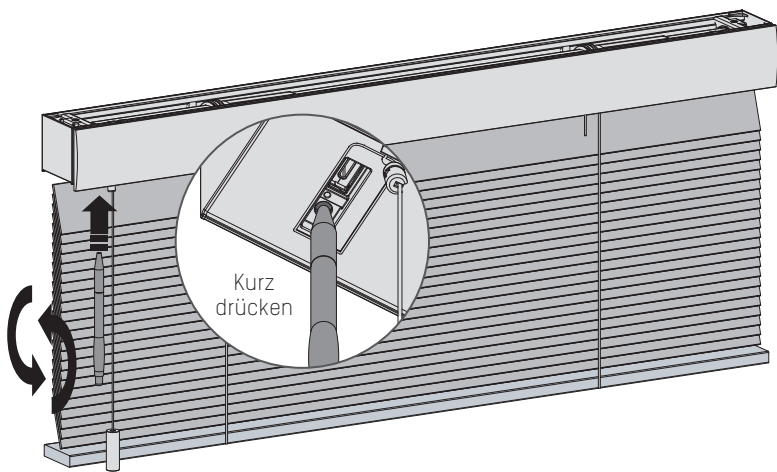
7 Einstellen der bevorzugten Position (optional)

- 1 Jalousie in die gewünschte bevorzugte Position bewegen.
- 2 Mitte-Taste gedrückt halten, um diese bevorzugte Position zu speichern. Die stufenartige Bewegung des Jalousies hört auf und signalisiert, dass die bevorzugte Position gespeichert wurde.



8 Programmiermodus deaktivieren

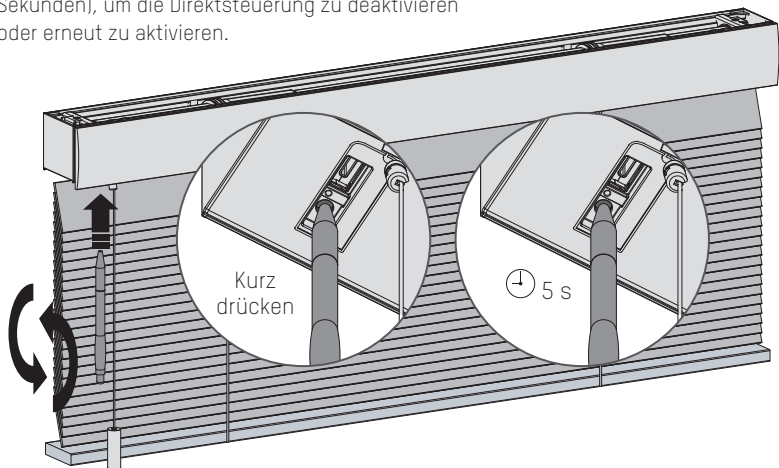
Programmiertaste kurz drücken, um den Programmiermodus zu deaktivieren. Das Jalousie beendet die stufenartige Bewegung und ist betriebsbereit.



i Deaktivieren der Direktsteuerung auf der Fernbedienung (Nicht empfohlen für Jalousie)

Durch Drücken der Hoch- oder Runter-Taste auf der Fernbedienung fährt das Jalousie direkt in seine Endpositionen (Direktsteuerung). Damit das Jalousie kleinere, stufenartige Bewegungen mittels der Hoch-/Runter-Taste macht, kann die Direktsteuerung deaktiviert werden. Nun fährt das Jalousie nur noch direkt in seine Endpositionen, wenn die Hoch- oder Runter-Taste länger als zwei Sekunden gedrückt wird.

- 1** Programmier Taste am Motor drücken, um den Programmiermodus zu aktivieren. Das Jalousie beginnt mit einer stufenartigen Hoch-/Runterbewegung.
- 2** Programmier Taste gedrückt halten, bis das Jalousie die stufenartige Bewegung beendet (ca. 5 Sekunden), um die Direktsteuerung zu deaktivieren oder erneut zu aktivieren.

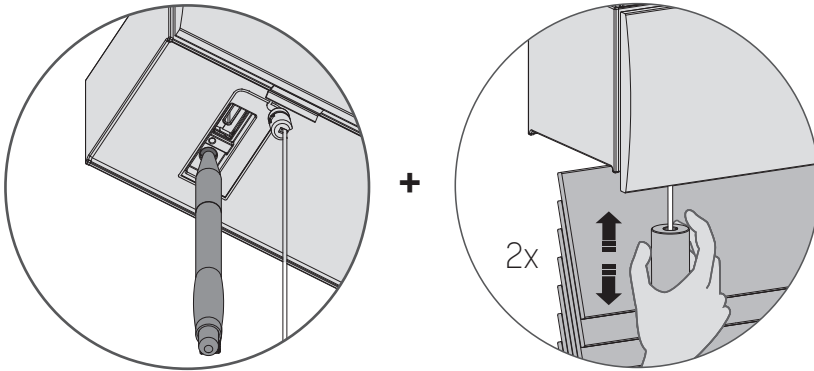


FAQ

i Aktivieren/Deaktivieren des Motors (Transportmodus)

Um eine Beschädigung des Plissees zu vermeiden, verfügt der Motor über einen Transportmodus, der sicherstellt, dass das Plissee nicht vor der Montage in Betrieb genommen wird.

- 1** Programmier Taste gedrückt halten und zweimal am Schnurzug ziehen, um den Motor zu aktivieren oder zu deaktivieren. (Bei aktiviertem Motor leuchtet eine grüne LED, bei deaktiviertem Motor leuchtet eine rote LED)

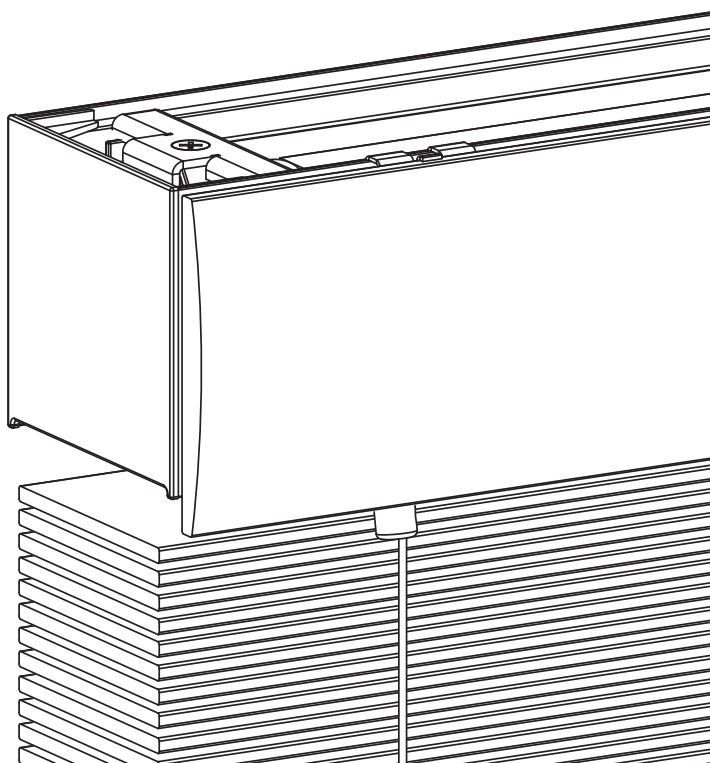


Problem	Ursache	Lösung
Jalousie funktioniert nicht.	Motor ist im Transportmodus.	Motor aktivieren. Siehe Seite 4/28.
	Batterie des Motors ist leer.	Motor aufladen. Siehe Seite 12.
	Batterie der Fernbedienung ist leer. (LEDs der Fernbedienung blinken schnell.)	Batterie wechseln in der Fernbedienung. Siehe Gebrauchsanweisung der Fernbedienung.
	Batterie der Fernbedienung wurde falsch eingelegt.	Batterie in der Fernbedienung wechseln. Siehe Gebrauchsanweisung der Fernbedienung.
	Funkstörung	Sicherstellen, dass sich die Antenne des Motors nicht neben metallischen Objekten befindet.
	Der Abstand zwischen Smartphone/Bridge/ Fernbedienung zum Motor ist zu groß.	Näher zum Motor bewegen.
Die Fernbedienung ist nicht mit dem Jalousie-Motor gekoppelt.	Fernbedienung mit dem Motor koppeln. Siehe Seite 18.	
Motor-LED blinkt rot.	Die Batterie des Motors ist leer.	Motor aufladen. Siehe Seite 12.
Jalousie-Motor lädt nicht auf.	Ladegerät ist nicht angeschlossen oder funktioniert nicht.	Anderes Ladegerät ausprobieren oder sicherstellen, dass das Ladegerät mit einer Stromquelle verbunden ist.
Mehrere Jalousie reagieren auf eine Fernbedienung. (Es gelingt nicht, ein einzelnes Jalousie zu programmieren)	Mehrere Jalousie-Motoren sind mit einem einzigen Kanal gekoppelt.	Jalousie-Motor zum Programmieren mit einem freien Kanal koppeln oder die Einzelauswahl verwenden.
Jalousie bewegt sich stufenartig.	1) Keine Endpositionen eingestellt. 2) Direktsteuerung ist deaktiviert.	1) Endpositionen einstellen. Siehe Seite 6-7, 18-20. 2) Direktsteuerung aktivieren. Siehe Seite 22.
Bevorzugte Position kann nicht eingestellt werden	Es sind keine Endpositionen eingestellt.	Endpositionen einstellen. Siehe Seite 6-7, 18-20.
Jalousie fährt zu weit nach unten.	Endpositionen sind falsch eingestellt.	Endpositionen neu einstellen. Siehe Schritt 6-7, 18-20.
Jalousie bewegt sich in die entgegengesetzte Richtung.	Die Rotationsrichtung ist falsch eingestellt.	Rotationsrichtung ändern. Siehe Seite 11, 18.
Das Jalousie führt unentwegt die Hoch-/Runterbewegung aus.	Das Jalousie befindet sich im Programmiermodus.	Programmier Taste am Motor drücken, um den Programmiermodus zu verlassen.
Der Jalousie wird nicht mit Ihrem Thread-Netzwerk verbunden.	Die Verbindung der Jalousie ist nicht stabil.	1) Bluetooth einschalten 2) Motor deaktivieren, dann erneut aktivieren und versuchen erneut, eine Verbindung herzustellen. Siehe Seite 28 3) Schließe die App und verbinde dich erneut mit dem Motor.

Guide d'installation

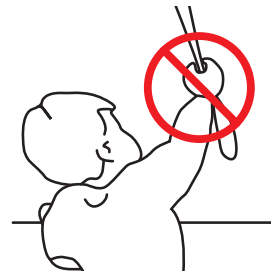
Store Vénitien

Moteur CM-06-E-V





AVERTISSEMENT



Lisez attentivement les instructions avant d'assembler et d'utiliser le produit.

Le montage peut être effectué par des non professionnels.
Usage intérieur uniquement

- Des cas d'étranglements dus aux boucles dans les cordons de hissage, chaînes, bandes et cordons intérieurs servant à actionner le produit ont déjà été observés chez de jeunes enfants.
- Pour éviter les étranglements et enchevêtrements, tenez les cordons hors de portée des jeunes enfants. Les cordons peuvent s'enrouler autour du cou des enfants.
- Des cordons peuvent enserrer le cou d'un enfant.
- Déplacez les lits, les berceaux et les meubles loin des cordons des couvre-fenêtres.
- Ne nouez pas les cordons entre eux.
- Assurez-vous que les cordons ne soient pas emmêlés et qu'ils ne forment pas de boucle.

Nettoyage

Suivez les règles générales suivantes lors du nettoyage de la partie extérieure de l'appareil et de ses composants:

- Utilisez un chiffon non pelucheux, doux et humide. Veillez à ne pas laisser pénétrer d'humidité dans les ouvertures.
- N'utilisez pas d'aérosols, de solvants, d'alcool ou de produits abrasifs.

Entretien et assistance

Ne procédez pas aux réparations vous-même. Ne tentez pas d'ouvrir ou de démonter l'appareil. Vous risquez de vous exposer à une décharge électrique et d'annuler la garantie limitée. Les pièces incluses ne peuvent faire l'objet d'aucun entretien par l'utilisateur.

Obtention du service de garantie

Commencez par suivre les conseils du présent

livret, puis rendez-vous chez votre revendeur local. Si le produit est endommagé ou ne fonctionne pas correctement, rendez-vous chez votre revendeur local pour connaître la procédure d'obtention du service de garantie.

Recycler

Ce symbole indique que ce produit ne doit pas être jeté avec les déchets ménagers ordinaires et ce, dans toute l'UE. L'élimination incontrôlée des déchets pouvant porter préjudice à l'environnement ou à la santé humaine, veuillez le recycler de façon responsable, ce qui contribuera à la réutilisation durable de ressources. Pour renvoyer votre ancien appareil, veuillez utiliser les systèmes de traitement et de collecte ou contacter le détaillant qui vous a vendu le produit. Il sera en mesure de procéder au recyclage du produit en toute sécurité.

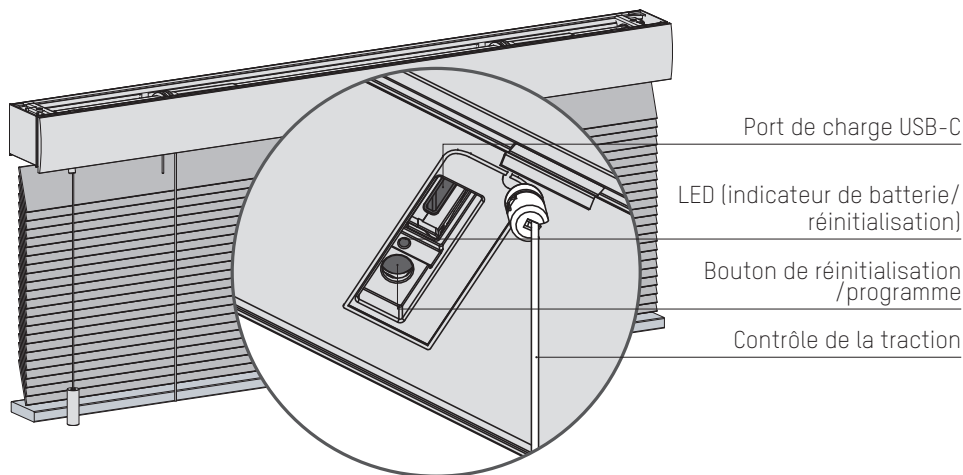


IP 20



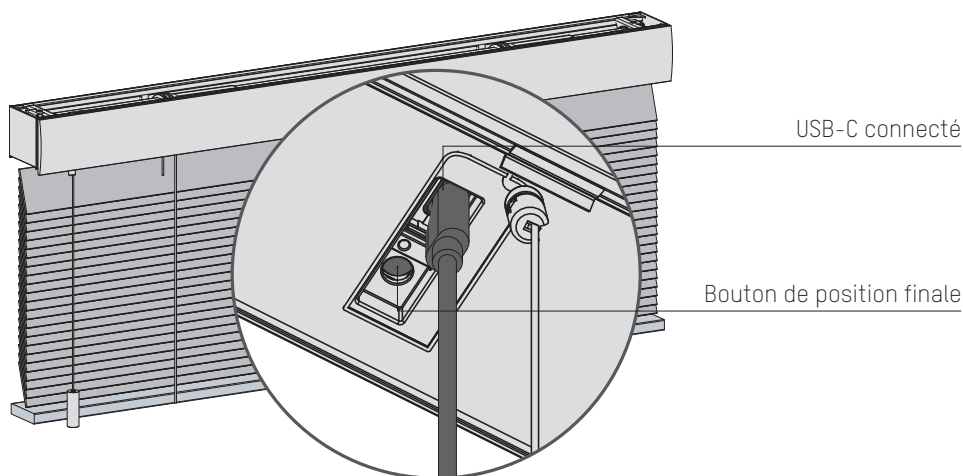
Conforms to
UL Std. 325
Certified to
CSA Std. C22.2#247

i Boutons et fonctions



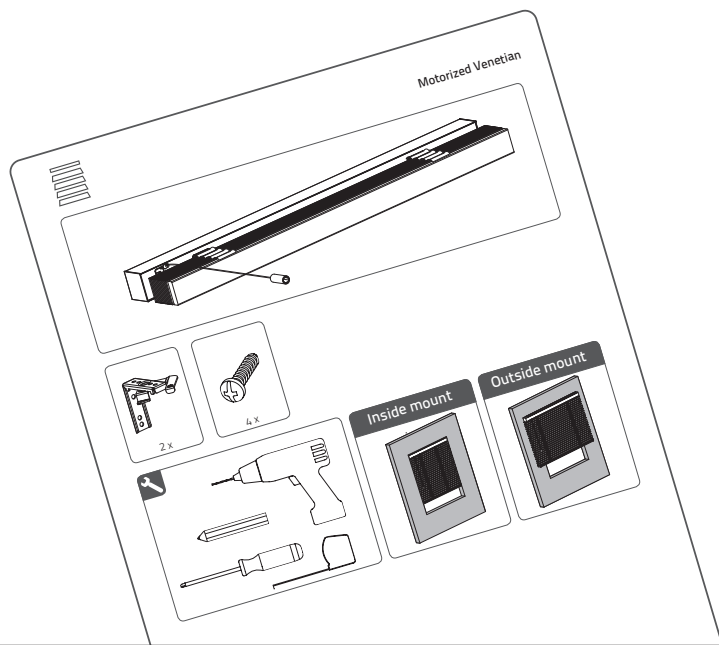
i Modes de programme

Lorsqu'un câble USB-C est connecté et alimenté, les fonctions du bouton de réinitialisation/ programmation changent automatiquement, ce qui permet de définir les positions finales à l'aide de ce bouton. Tant que le câble USB-C est connecté et alimenté, les fonctions de réinitialisation/ programmation par défaut ne peuvent pas être utilisées.



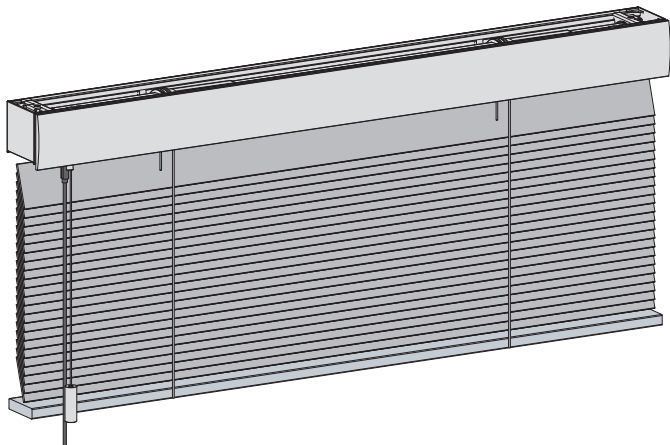
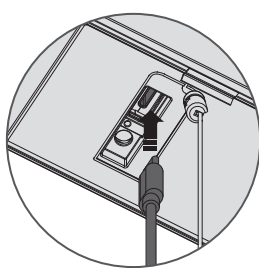
1 Installer le store

Suivez les étapes des instructions d'installation pour installer le store.



2 Activer le store

Pour activer le store, connectez-le à une source d'alimentation standard USB-C 5V via un câble USB-C. Il peut s'agir de l'adaptateur secteur de votre smartphone, par exemple.



3 Ajoutez Eve MotionBlinds à votre plateforme

Ajoutez Eve MotionBlinds à la plateforme de votre choix et assurez-vous d'avoir un Thread Border Router compatible.

Plus d'informations: motionblinds.com/eve/matter

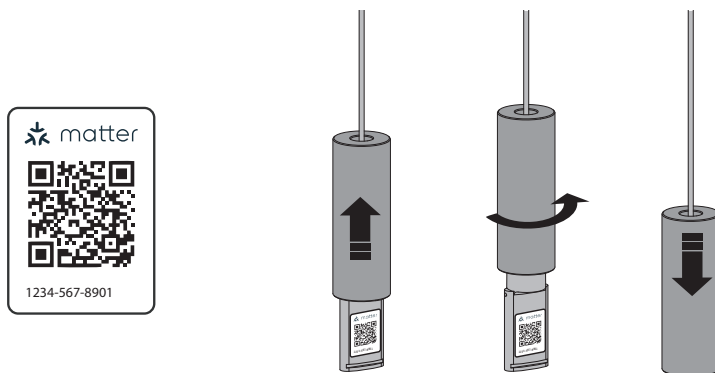


4 Configurer le store

Désormais, vous pouvez facilement ajouter Eve MotionBlinds à votre maison intelligente en seulement quelques étapes en scannant le code d'installation Matter à l'aide de l'application de votre plateforme préférée. Scannez le code d'installation Matter pour l'ajouter à votre plateforme.

Les stores Eve MotionBlinds ont besoin de positions finales pour fonctionner correctement. Les positions finales peuvent être programmées de 2 manières. Dans l'application Eve ou par le bouton de programmation de la position finale sur votre store. (Étape 5)

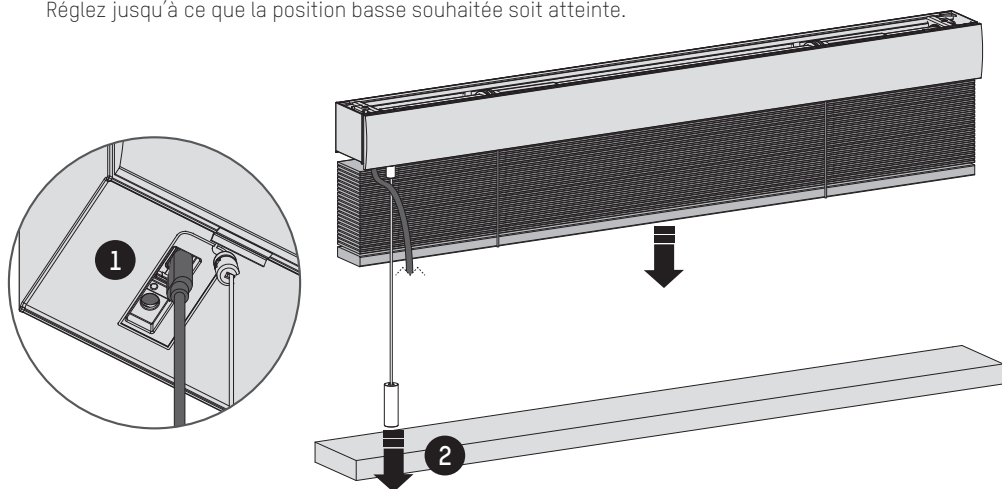
Après avoir scanné le code, vous pouvez cacher votre code d'installation.



5 Définir les positions finales

En plus du réglage des positions finales par l'application, vous pouvez régler les positions finales en appuyant sur le bouton du moteur. 1 : Pour entrer dans ce mode de programmation, assurez-vous que le câble USB-C est connecté et alimenté (voir page 3). 2 : Tirez et maintenez la chaînette jusqu'à ce que le store ait atteint la position basse. Si le store se déplace dans la direction opposée, relâchez la chaînette et tirez et maintenez à nouveau.

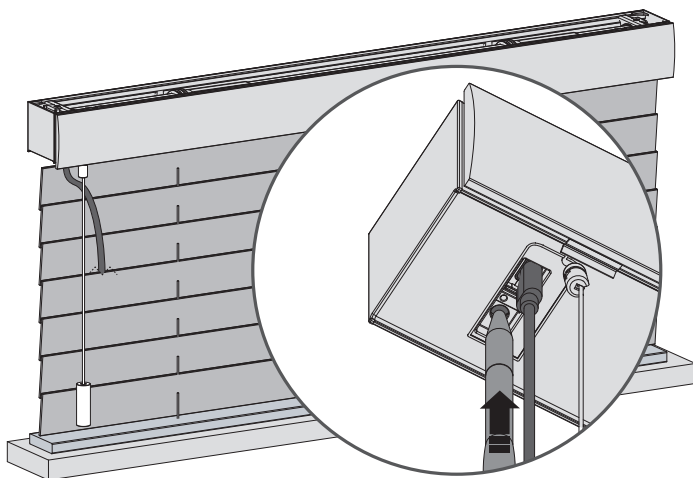
Réglez jusqu'à ce que la position basse souhaitée soit atteinte.



6

6 Sauvegardez votre position basse

Lorsque votre store est positionné à votre position basse, maintenez le bouton jusqu'à ce que le store monte et descende pour sauvegarder votre position basse.

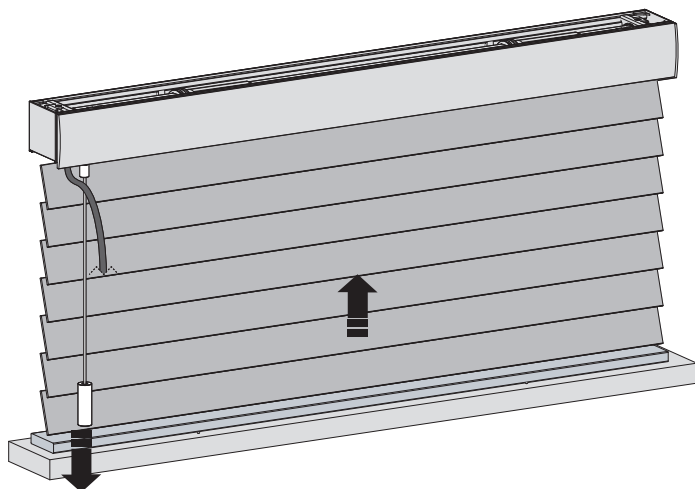


7 Mettez votre store en position haute

Tirez et maintenez la chaînette jusqu'à ce que le store soit en position haute.

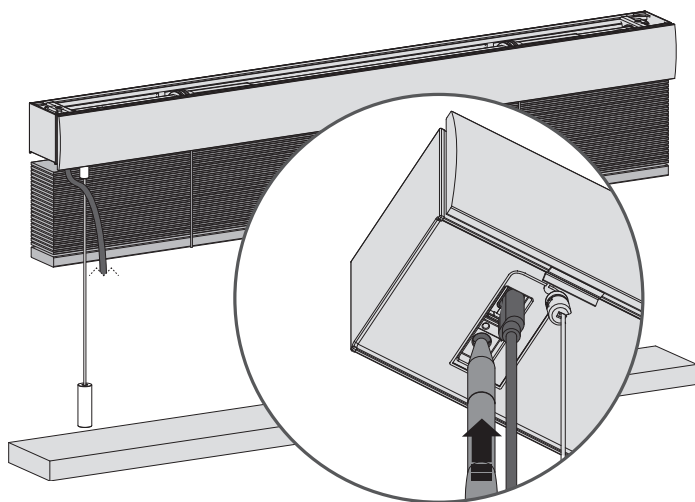
AVERTISSEMENT : risque de dommages. Approchez lentement la position haute. Si le store se déplace dans la direction opposée, relâchez la chaînette et tirez et maintenez à nouveau.

Réglez jusqu'à ce que vous ayez atteint la position haute souhaitée.



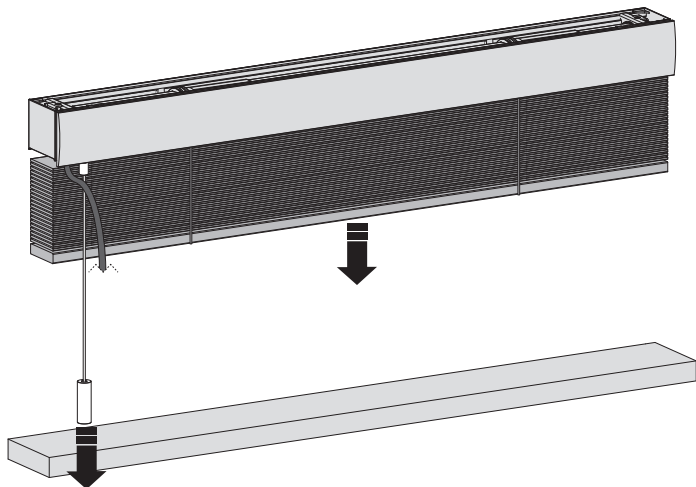
8 Sauvegardez votre position haute

Lorsque votre store est positionné à votre position haute, maintenez le bouton jusqu'à ce que le store monte et descende pour sauvegarder votre position haute.



9 Ajustez vos positions finales

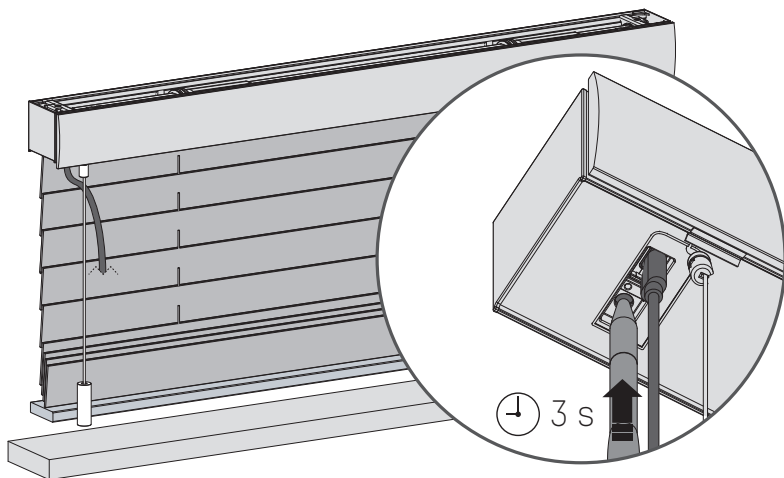
Pour ajuster l'une de vos positions finales, vous devez placer votre store à la position finale que vous voulez ajuster. Tirez et attendez jusqu'à ce que le store ait atteint la position finale que vous voulez régler.



8

10 Retirez votre position (basse / haute)

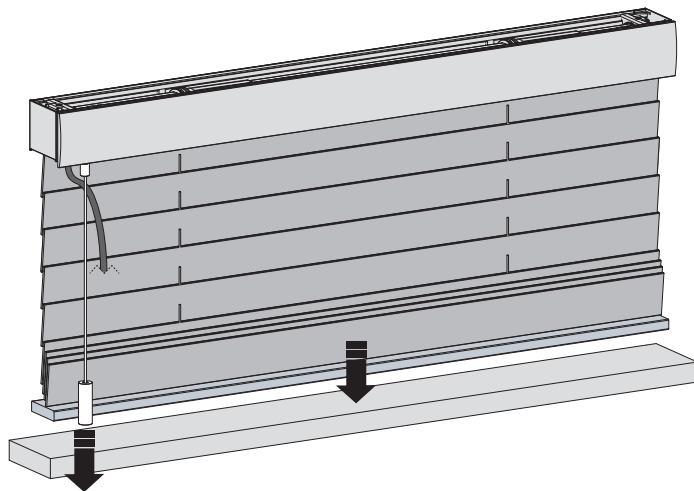
Maintenez le bouton de programmation de la position finale pendant 3 secondes pour supprimer votre position (basse / haute). Le store monte et descend une fois pour confirmer que votre position finale a été supprimée. Vous pouvez maintenant définir une nouvelle position (basse / haute).



11 Déplacez votre store vers la nouvelle position (basse).

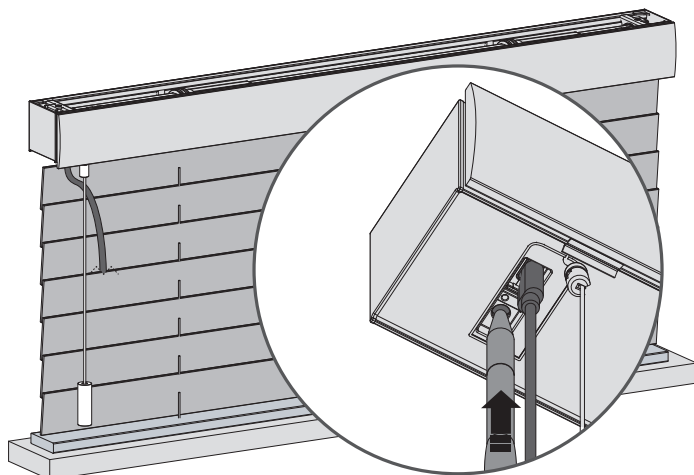
Tirez et maintenez la chaînette jusqu'à ce que le store ait atteint la position basse. Si le store se déplace dans la direction opposée, relâchez la chaînette et tirez et maintenez à nouveau.

Réglez jusqu'à ce que la position basse souhaitée soit atteinte.



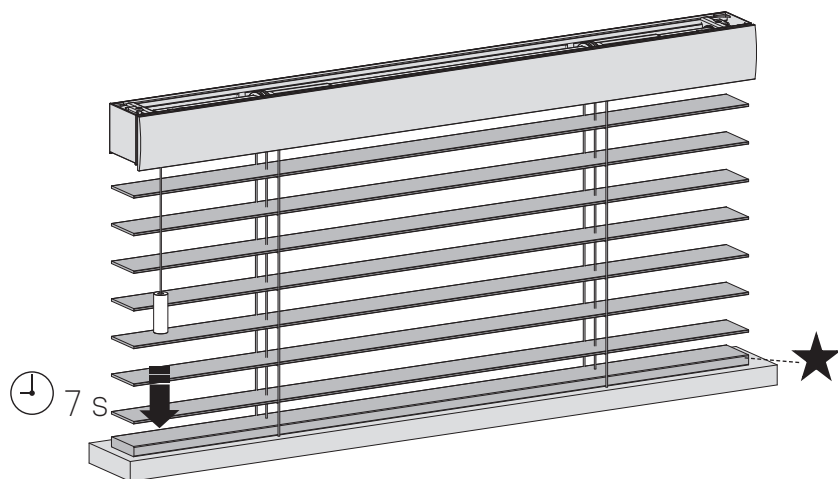
12 Sauvegardez votre position (basse)

Lorsque votre store est positionné à votre position basse, maintenez le bouton jusqu'à ce que le store monte et descende pour sauvegarder votre position basse.



13 Sauvegardez la position préférée

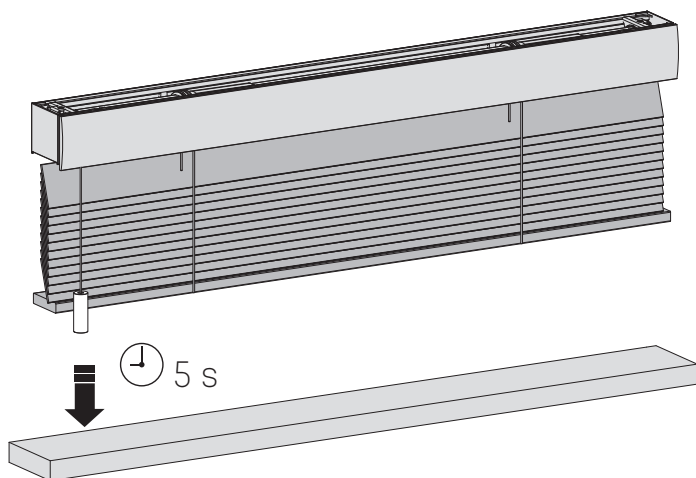
Lorsqu'il n'y a pas de position préférée programmée, vous devez positionner votre store à votre position préférée. Lorsque le store est dans votre position préférée, maintenez la traction jusqu'à ce que le store monte et descende une fois (environ 7 secondes).



10

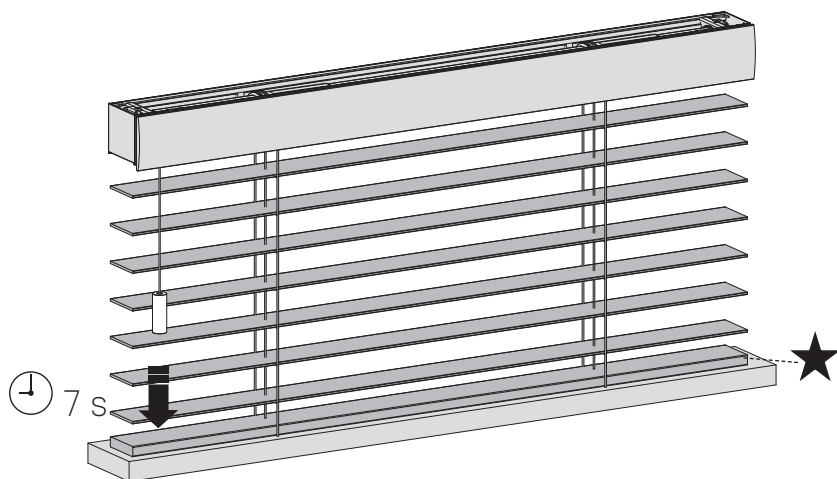
14 Contrôlez votre store dans votre position préférée

Lorsque votre store n'est pas positionné à la position préférée, maintenez la traction pendant 5 secondes et votre store se déplacera à sa position préférée.



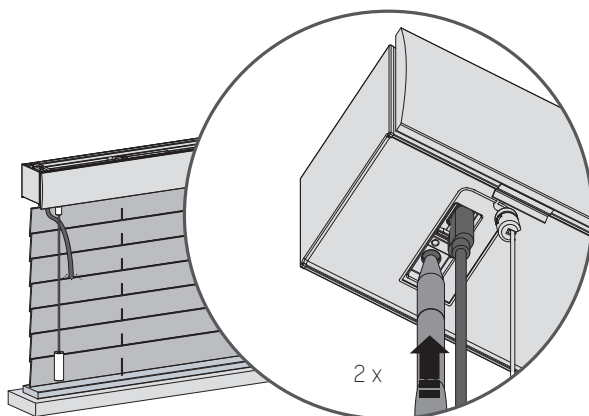
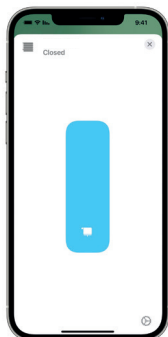
15 Sauvegarder une nouvelle position préférée

Pour supprimer votre position préférée précédente, vous devez placer votre store à votre position préférée actuelle. (Étape 14) Ensuite, maintenez la traction jusqu'à ce que le store monte et descende une fois. (Environ 7 secondes) Votre position préférée est maintenant supprimée. Suivez l'étape 13 pour définir votre nouvelle position préférée.



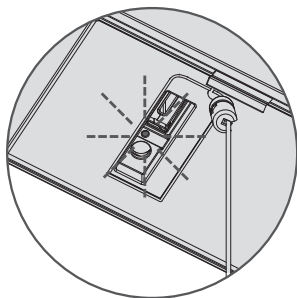
i Vérifiez le sens de rotation

Si la position du store dans l'application est opposée à votre store, changez le sens de rotation en appuyant deux fois en une seconde sur le bouton Position finale.

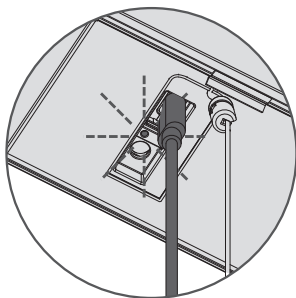


i Recharger les stores

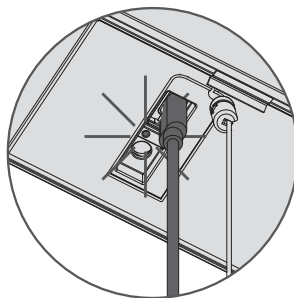
Pour charger le store, connectez-le à une alimentation standard USB-C 5V via un câble USB-C. Il peut s'agir de l'adaptateur d'alimentation de votre smartphone, par exemple. Recharger au moins une fois par an.



Le voyant lumineux clignote en rouge pendant le fonctionnement : Chargez la batterie.



Le voyant LED clignote en vert ; la batterie est en charge



La lumière LED est constamment verte ; la batterie est complètement chargée

Instructions de sécurité importantes

AVERTISSEMENT : pour réduire le risque de blessure grave ou de mort. Pour la sécurité des personnes, il est important de suivre ces instructions. Conservez ces instructions.

- Lisez et suivez toutes les instructions d'installation.
- Cet appareil peut être utilisé par des enfants âgés de 8 ans et plus et par des personnes aux capacités physiques ou mentales réduites ou manquant d'expérience et de connaissances si elles sont sous surveillance ou si elles ont reçu des instructions relatives à l'utilisation sécurisée de l'appareil et si elles comprennent les dangers impliqués. Les enfants ne doivent pas jouer avec l'appareil. Le nettoyage et l'entretien ne doivent pas être effectués par des enfants sans surveillance.
- Ne laissez pas les enfants jouer avec des contrôles fixes. Conservez les télécommandes hors de la portée des enfants.
- Examinez fréquemment l'installation pour détecter des déséquilibres et des signes d'usure ou de dommages aux câbles et aux ressorts. Ne l'utilisez pas si une réparation ou un ajustement est nécessaire.
- Ce manuel d'instructions est également disponible sur le site Web.
- La transmission doit être déconnectée de sa source d'alimentation pendant le nettoyage, la maintenance et le remplacement des pièces.
- Le niveau de pression acoustique d'émission pondéré A de la transmission est égal ou inférieur à 70 dB (A).
- Usage intérieur et domestique seulement.
- Examinez fréquemment l'installation pour détecter des déséquilibres et des signes d'usure ou de dommages aux câbles et aux ressorts. Ne l'utilisez pas si une réparation ou un ajustement est nécessaire.
- Déconnectez la transmission de l'alimentation ou coupez les commandes automatiques lorsque des travaux de maintenance, tels que le nettoyage des vitres, sont effectués à proximité.
- Lors de l'utilisation d'un commutateur de décalage, assurez-vous que les autres personnes se tiennent à l'écart.
- Ne l'utilisez pas lorsque des opérations de maintenance, telles que le nettoyage des

vitres, sont effectuées à proximité.

- Le moteur tubulaire doit uniquement être alimenté à très basse tension de sécurité correspondant au marquage sur l'appareil.
- Cet appareil contient des piles non remplaçables.
- La température maximale de fonctionnement du moteur est de +55°C La température maximale de chargement du bloc de batteries est de +45°C.

Instructions d'installation importantes

AVERTISSEMENT : instructions de sécurité importantes. Suivez toutes les instructions, car une installation incorrecte peut entraîner des blessures graves.

- Ce moteur ne peut être utilisé qu'avec un matériau souple pour les pièces entraînées.
- Les parties mobiles dangereuses non protégées du variateur doivent être installées à plus de 2,5 m au-dessus du sol ou à un autre niveau pouvant en permettre l'accès.
- Installez l'élément d'actionnement d'un déclencheur manuel à une hauteur inférieure à 1,8 m.
- L'élément d'actionnement d'un commutateur de rappel doit être situé à la vue directe de la partie entraînée mais à l'écart des parties mobiles. Il doit être installé à une hauteur minimale de 1,5 m et ne doit pas être accessible au public.
- La masse et la dimension de la partie entraînée doivent être compatibles avec le couple nominal et le temps de fonctionnement nominal.
- Les contrôles fixes doivent être clairement visibles après l'installation.
- La partie entraînée doit être compatible avec le couple nominal 6.0 Nm et le temps de fonctionnement nominal (12min).
- Diamètre minimum du tube : Ø42mm.
- Le variateur est destiné à être installé à une hauteur d'au moins 2,5 m au-dessus du sol ou d'une autre niveau d'accès.
- La déconnexion de tous les pôles doit être incorporée dans le câblage fixe conformément aux règles de câblage.

Manuel FCC | FCC ID: ZY4CM06E IC:28117-CM06E

Informations réglementaires

1 Informations FCC à l'utilisateur

Ce produit ne contient aucun composant réparable par l'utilisateur et ne doit être utilisé qu'avec des antennes agréées. Tout changement ou modification de produit annulera toutes les certifications et approbations réglementaires applicables.

2 Avis d'émission électroniques de la FCC

Cet appareil est conforme à la partie 15 du règlement de la FCC.

Son utilisation est soumise aux deux conditions suivantes :

1. Cet appareil ne doit causer aucune interférence nuisible
2. Cet appareil doit accepter toute interférence reçue, y compris des interférences qui peuvent provoquer un fonctionnement non désiré.

3 Déclaration d'interférence des fréquences radio de la FCC

Cet équipement a été testé et déclaré conforme aux limites d'un dispositif numérique de classe B, conformément à la Partie 15 des règles de la FCC. Ces limites sont conçues pour fournir une protection raisonnable contre les interférences nuisibles lorsque l'équipement est utilisé dans un environnement commercial. Cet équipement génère, utilise et peut émettre de l'énergie de fréquence radio et, s'il n'est pas installé et utilisé conformément aux instructions, il peut causer des interférences nuisibles aux communications radio. Le fonctionnement de cet équipement dans une zone résidentielle peut générer des interférences préjudiciables, auquel cas il appartiendra à l'utilisateur de corriger les interférences à ses frais. Si cet équipement provoque effectivement une interférence préjudiciable à la réception radio ou télévisuelle, ce qui peut être établi en éteignant et en rallumant l'équipement, l'utilisateur est invité à tenter de corriger l'interférence par une ou plusieurs des mesures suivantes :

- Réorienter ou repositionner l'antenne de réception
- Augmenter la distance entre l'équipement et le récepteur
- Connecter l'équipement à une prise sur un

circuit différent de celui auquel le récepteur est connecté

- Consulter le revendeur ou un technicien radio/télévision expérimenté pour obtenir de l'aide

Les antennes installées doivent être situées de façon à ce que la population ne puisse y être exposée à une distance de moins de 20 cm. Installer les antennes de façon à ce que le personnel ne puisse approcher à 20 cm ou moins de la position centrale de l'antenne. La FCC des États-Unis stipule que cet appareil doit être en tout temps éloigné d'au moins 20 cm des personnes pendant son fonctionnement.

Déclaration UE

Par la présente, Coulisse déclare que l'équipement radio de type CM-06-E-V est conforme à la directive 2014/53/UE.

Le texte intégral de la déclaration de conformité UE est disponible à l'adresse Internet suivante : support.motionblinds.com

- Gamme de fréquences: 433 MHz, Puissance RF: 2.32 dBm
- Gamme de fréquences BLE: 2402 - 2480 MHz, Puissance RF: 3 dBm EIRP
- Gamme de fréquences Thread: 2405 - 2480 MHz, Puissance RF: < 20 dBm EIRP

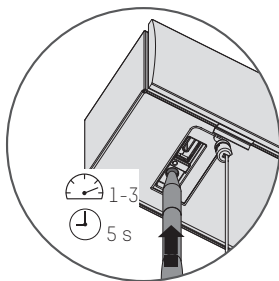
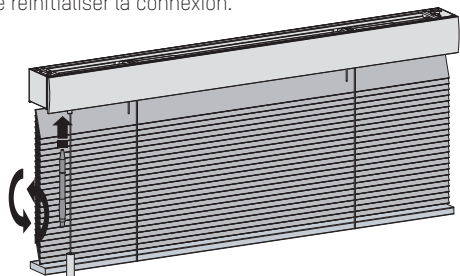
ISED Compliance

L'émetteur/récepteur exempt de licence contenu dans le présent appareil est conforme aux CNR d'Innovation, Sciences et Développement économique Canada applicables aux appareils radio exempts de licence. L'exploitation est autorisée aux deux conditions suivantes : l'appareil ne doit pas produire de brouillage; l'appareil doit accepter tout brouillage radioélectrique subi, même si le brouillage est susceptible d'en compromettre le fonctionnement.

i Modification de la vitesse du moteur / du niveau sonore

⚠ ATTENTION : Assurez-vous que le câble USB-C est retiré. Dans le cas contraire, vous supprimerez les limites finales.

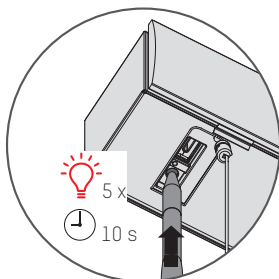
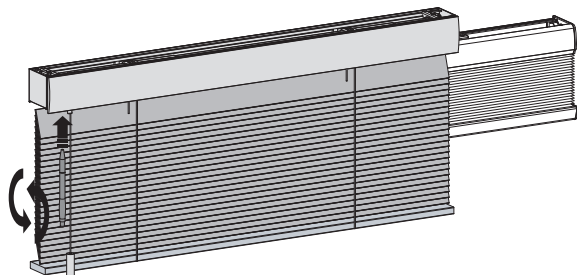
Maintenez le bouton de programmation pendant 5 secondes pour modifier la vitesse du moteur et le niveau sonore. Le store monte et descend une fois pour indiquer que la vitesse a été réglée sur l'un des 3 niveaux. Attention : relâchez le bouton après 5 secondes lorsque le store monte et descend pour éviter de réinitialiser la connexion.



i Réinitialiser la connexion

⚠ ATTENTION : Assurez-vous que le câble USB-C est retiré. Dans le cas contraire, vous supprimerez les limites finales.

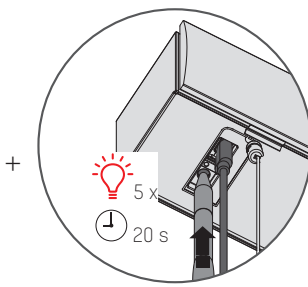
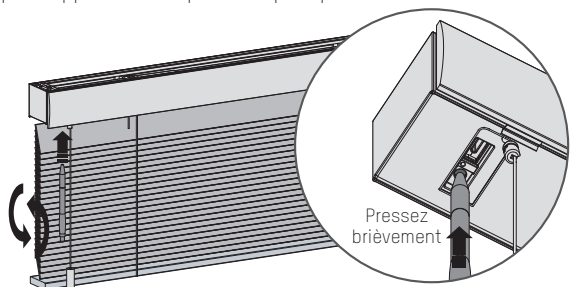
Maintenez le bouton de programme pendant 10 secondes pour supprimer la connexion entre le store et l'appli. La LED s'allume 5 fois et le store monte et descend 1 fois pour indiquer que la connexion est réinitialisée. Le store peut maintenant être reconnecté.



i Réinitialiser le store

⚠ ATTENTION : Assurez-vous que le câble USB-C est retiré. Dans le cas contraire, vous supprimerez les limites finales.

La réinitialisation du store entraîne l'effacement des positions finales et des connexions du store avec les apps et les télécommandes. Appuyez brièvement sur le bouton de programme pour activer le mode programme. Le store commencera à monter et descendre. Maintenez le bouton de réinitialisation/programme pendant au moins 20 secondes pour réinitialiser le store. Le store s'arrêtera deux fois de monter et descendre. Après le deuxième arrêt, le store fera un pas supplémentaire pour indiquer qu'il a été réinitialisé.

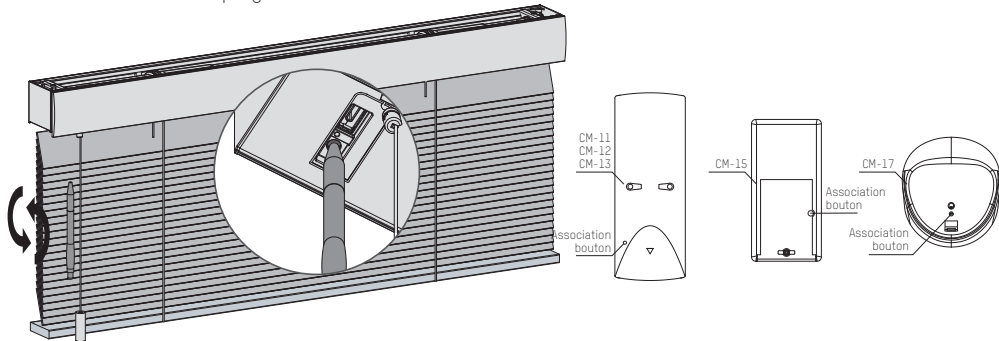


PROGRAMMATION TÉLÉCOMMANDE

1 Associer une télécommande

Toute télécommande MotionBlinds peut être connectée à votre store.

- 1 Sélectionnez un canal sur la télécommande et appuyez sur le bouton programme du moteur pour activer le mode programme. Le store va commencer à monter et descendre.



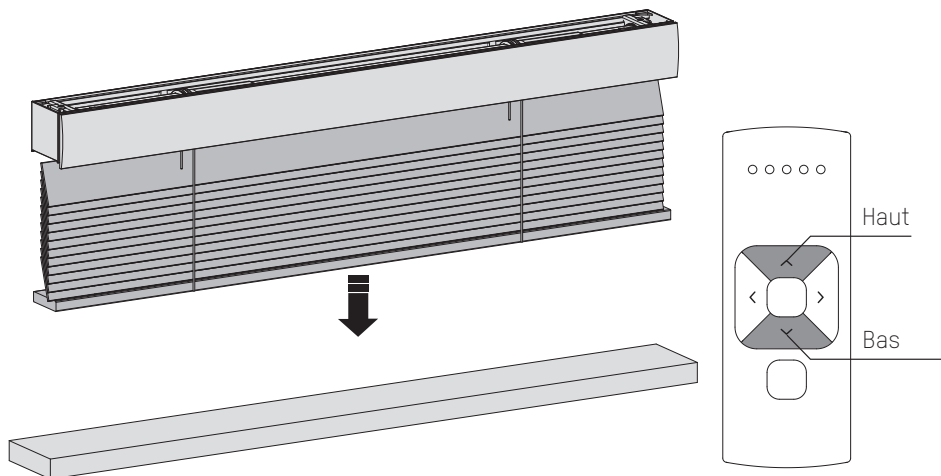
- 2 Appuyez sur le bouton d'appairage à l'arrière de la télécommande pour associer le store à le canal sélectionnée. Le store s'arrête brièvement d'avancer, indiquant que la télécommande a été associée au store.
- 3 Appuyez brièvement sur le bouton programme pour désactiver le mode programme. Le store s'arrête d'avancer et peut être actionné.

18

2 Vérifier le sens de rotation

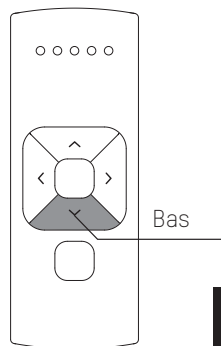
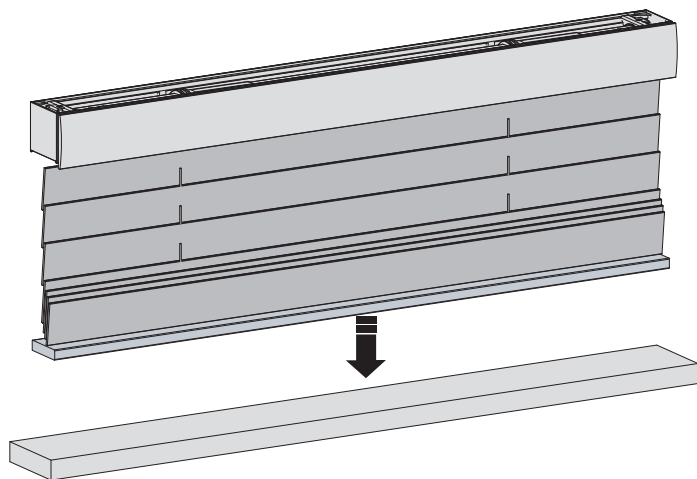
⚠ AVERTISSEMENT : risque de dommages. Arrêtez le store avant d'atteindre les positions finales.

- 1 Appuyez brièvement sur le bouton bas pour vérifier si le store se déroule correctement. Si le store se lève, le sens de rotation doit être modifié.
- 2 Appuyez simultanément sur les boutons haut et bas pour changer le sens de rotation.



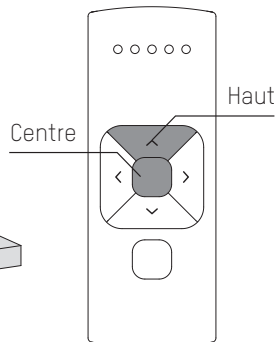
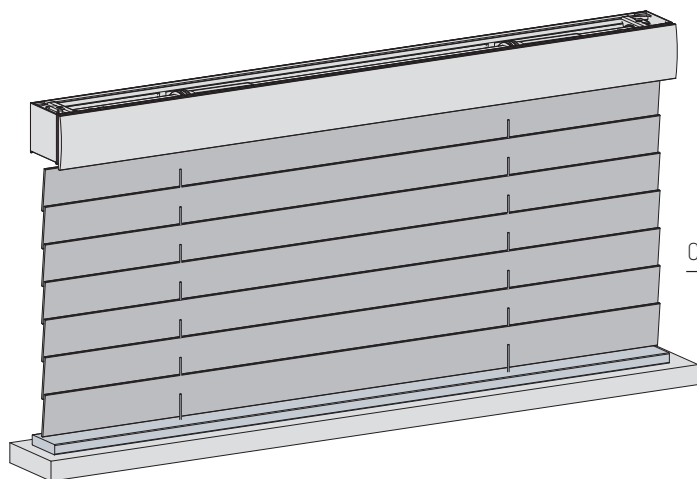
3 Définir la position basse

Appuyez et maintenez le bouton bas jusqu'à ce que le store atteigne la position basse désirée. **AVERTISSEMENT** : risque de dommages. Approchez lentement la position basse.



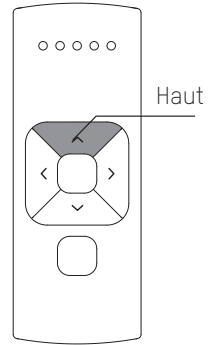
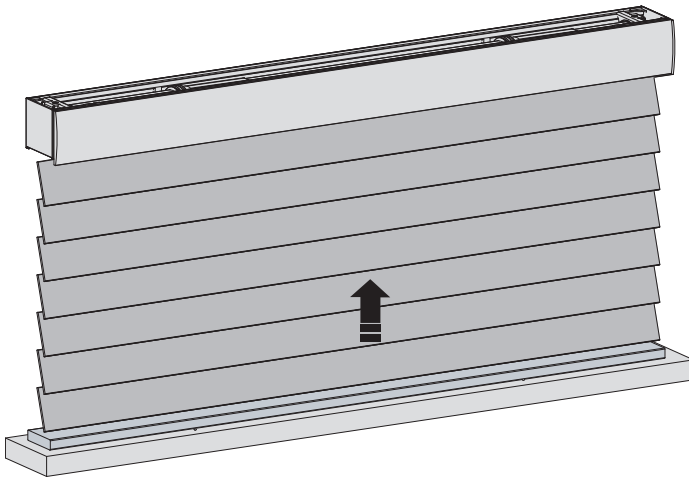
4 Sauvegardez la position basse

Maintenez simultanément les boutons centre et haut jusqu'à ce que le store cesse d'avancer et recommence à avancer. La position basse a été enregistrée.



5 Définir la position haute

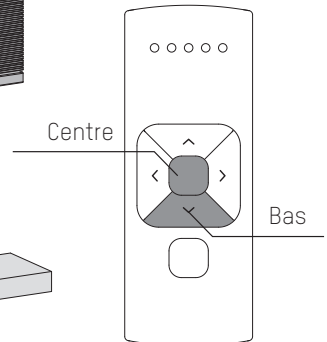
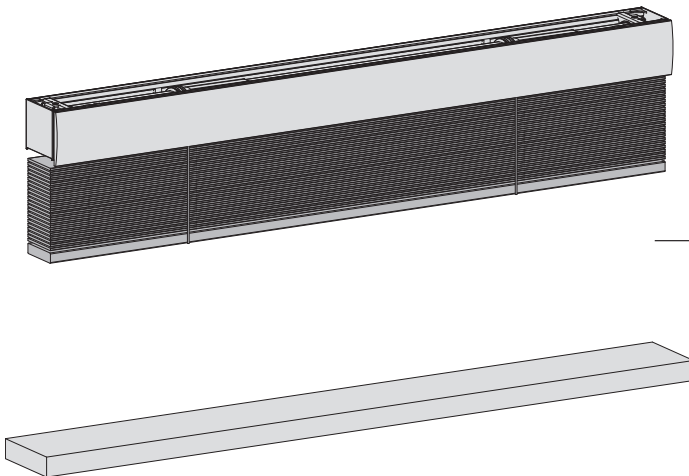
Appuyez et maintenez le bouton haut jusqu'à ce que le store atteigne la position haute désirée. **AVERTISSEMENT** : risque de dommages.
Approchez lentement la position haute.



20

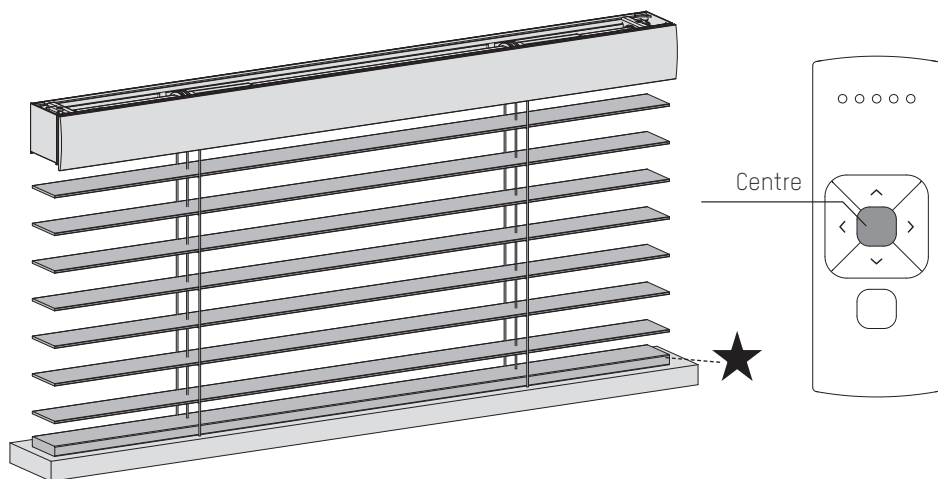
6 Définir la position haute

Maintenez simultanément le bouton centre et le bouton bas jusqu'à ce que le store cesse d'avancer et recommence à avancer. La position haute a été enregistrée.



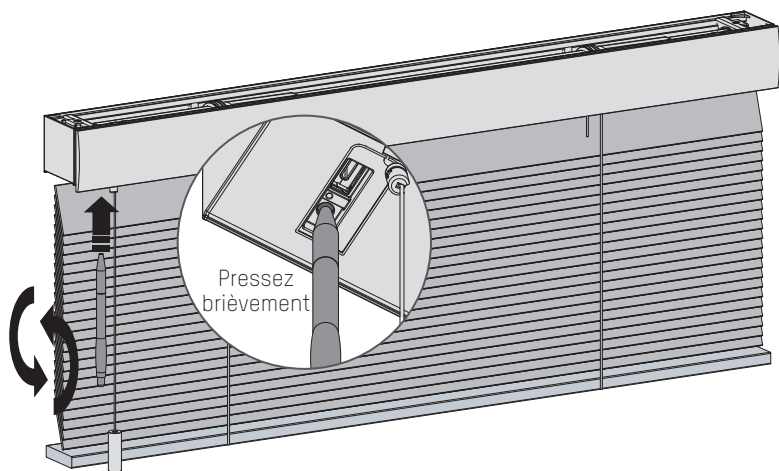
7 Définir la position préférée (facultatif)

- 1 Déplacez le store vers une nouvelle position préférée souhaitée.
- 2 Maintenez le bouton centre pour enregistrer cette position favorite. Le store s'arrête brièvement, indiquant que la position préférée a été sauvegardée.



8 Désactivez le mode programme

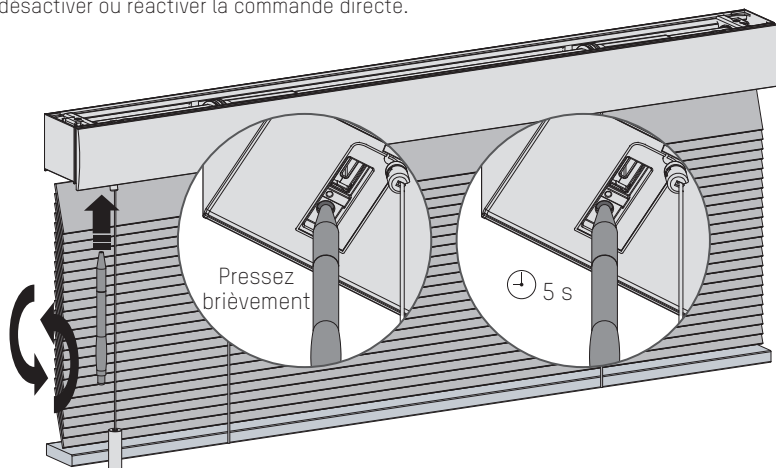
Appuyez brièvement sur le bouton programme pour désactiver le mode programme. Le store s'arrête d'avancer et peut être actionné.



i Désactiver la commande directe pour la télécommande (Non recommandé pour le Vénitien)

Lorsque vous appuyez sur le bouton haut ou bas de la télécommande, le store se déplace directement vers ses positions finales (commande directe). Pour faire fonctionner le store avec des pas plus petits en utilisant les boutons haut et bas, la commande directe peut être désactivée. Maintenant, le store ne se déplace directement que vers ses positions finales lorsque le bouton haut ou bas est maintenu plus de deux secondes.

- 1** Appuyez sur le bouton programme du moteur pour activer le mode programme. Le store commence à avancer.
- 2** Maintenez le bouton programme jusqu'à ce que le store cesse d'avancer (environ 5 secondes) pour désactiver ou réactiver la commande directe.

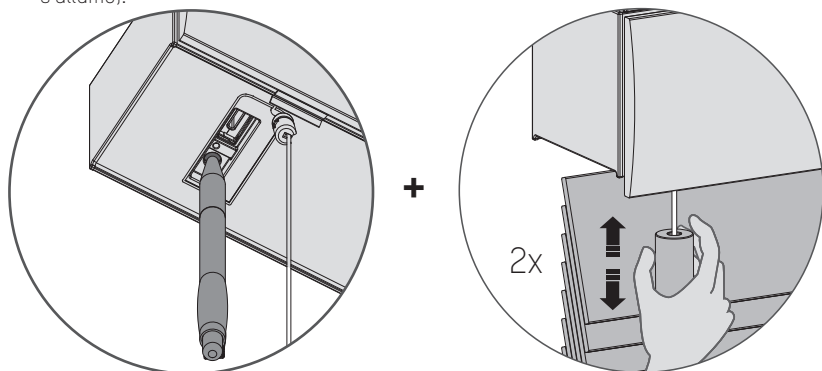


FAQ

i Activer / désactiver le moteur (mode transport)

Pour éviter que le store ne soit endommagé, le moteur dispose d'un mode transport qui garantit que le store ne sera pas activé avant l'installation.

- 1** Maintenez le bouton programme enfoncé et tirez deux fois pour activer ou désactiver le moteur. (Lorsque le moteur est activé, une LED verte s'allume, lorsque le moteur est désactivé, une LED rouge s'allume).

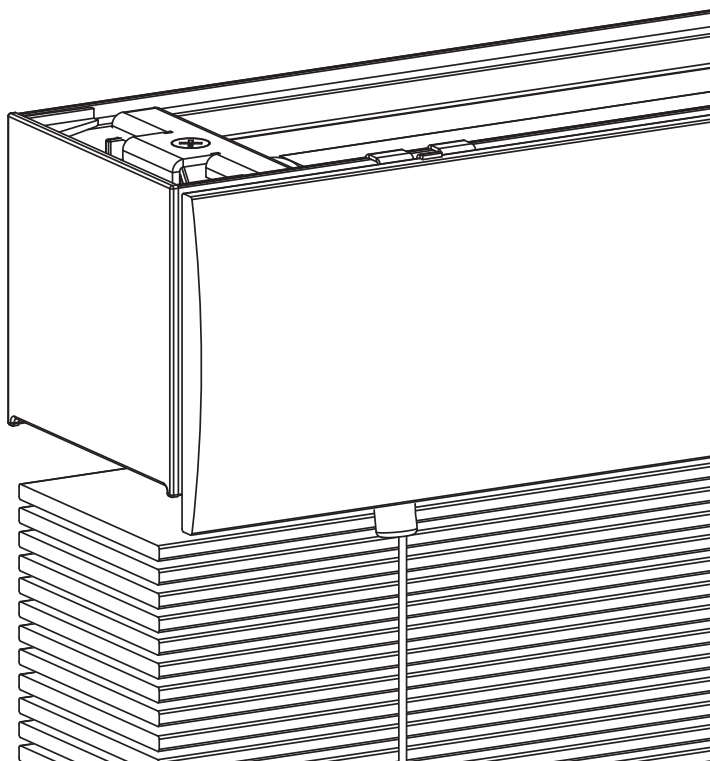


Problème	Cause	Solution
Le store ne fonctionne pas.	Le moteur est en mode transport.	Activez le moteur. Voir page 4/28.
	La batterie du moteur est vide.	Chargez le moteur. Voir page 12.
	La pile de la télécommande est vide. (Les LED de la télécommande clignotent rapidement).	Remplacez la pile de la télécommande. Voir le manuel de la télécommande.
	La pile de la télécommande est mal insérée.	Remplacez la pile de la télécommande. Voir le manuel de la télécommande.
	Interférences radiofréquences	Assurez-vous que l'antenne du moteur n'obstrue pas les objets métalliques.
	La distance entre la télécommande et le moteur est trop importante.	Rapprochez-vous du moteur.
La télécommande n'est pas connectée au store.	Associez la télécommande au moteur. Voir page 18.	
La LED du moteur clignote en rouge.	La batterie du moteur est vide.	Chargez le moteur. Voir page 12.
Le store ne charge pas.	Le chargeur n'est pas branché ou ne fonctionne pas.	Essayez un chargeur différent ou assurez-vous que le chargeur est branché dans la prise.
Plusieurs stores répondent à une télécommande. (Impossible de programmer un seul store)	Plusieurs stores sont associés à une seule canal.	Associez le store à un canal libre ou utilisez la sélection unique pour programmer le store.
Le store se déplace à petits pas.	1) Aucune limite finale n'est programmée. 2) La commande directe est désactivée.	1) Limites finales du programme. Voir page 6-7, 18-20 2) Activez la commande directe. Voir page 22
La position préférée ne peut pas être programmée.	Aucune limite finale n'est programmée.	Programmer les limites finales. Voir page 6-7, 18-20.
Le store s'abaisse trop loin.	Les limites finales sont programmées de manière incorrecte.	Reprogrammez les limites finales. Voir page 6-7, 18-20.
Le store se déplace dans la direction opposée.	Le sens de rotation a été mal réglé.	Modifiez le sens de rotation. Voir page 11, 18
Le store continue à monter et descendre.	Le store est en mode programme.	Appuyez sur le bouton programme sur le moteur pour quitter le mode programme.
Le store ne se connectera pas à votre réseau Thread.	La connexion du store n'est pas stable.	1) Activer le Bluetooth 2) Désactivez le moteur, réactivez-le et essayez de vous connecter à nouveau. Voir page 28 3) Fermez l'application et reconnectez-vous avec votre moteur.

Installatiehandleiding

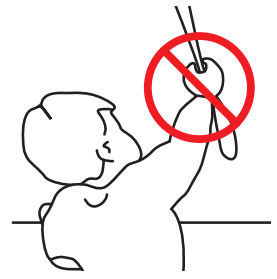
Jaloezie

Motor CM-06-E-V





WAARSCHUWING



Lees deze handleiding aandachtig alvorens het product te monteren en te gebruiken. De montage kan worden uitgevoerd door niet-professionals. Alleen voor gebruik binnenshuis.

- Kleine kinderen kunnen verstrikt raken en stikken in lussen van trekkoorden, kettingen, linten en trekkoorden in het product zelf waarmee het product wordt bediend.
- Houd alle koorden buiten het bereik van kleine kinderen om wurging en verstriking te voorkomen.
- Kinderen kunnen met hun nek in een koord verstrikt raken.
- Plaats bedden, kinderbedjes en meubilair niet in de buurt van koorden van raambekleding.
- Knoop koorden niet aan elkaar vast.
- Let erop dat koorden niet in elkaar draaien en een lus vormen.

Reiniging

Volg de algemene regels voor het reinigen van het apparaat en de onderdelen:

- Gebruik een zachte, pluisvrije, licht vochtige doek. Voorkom dat er vocht in de openingen komt.
- Gebruik geen sprays, oplosmiddelen, alcohol of schuren- of middelen.

Service & Ondersteuning

Voer zelf geen reparaties uit. Probeer het apparaat niet te open of te demonteren. Gevaar voor elektrische schokken en het vervallen van de garantie. Bevat geen door de gebruiker te vervangen onderdelen.

Garantie

Volg altijd eerst de instructie in deze handleiding voordat u naar uw dealer gaat. Als het apparaat defect lijkt of niet goed functioneert ga dan naar uw dealer voor garantie.

Recycle

Dit icoon geeft aan dat dit product niet samen met andere huishoudelijke apparaten mag worden weggegooid in de EU. Om mogelijke schade aan het milieu of de menselijke gezondheid te voorkomen, moet het op verantwoorde wijze worden gerecycled om duurzaam hergebruik van materiële hulpbronnen te bevorderen. Om uw gebruikte apparaat te retourneren, gebruikt u het retour- en verzamelsysteem of neemt u contact op met de retailer waar het product is gekocht. Zij kunnen dit product meenemen voor milieuvriendelijke recycling.

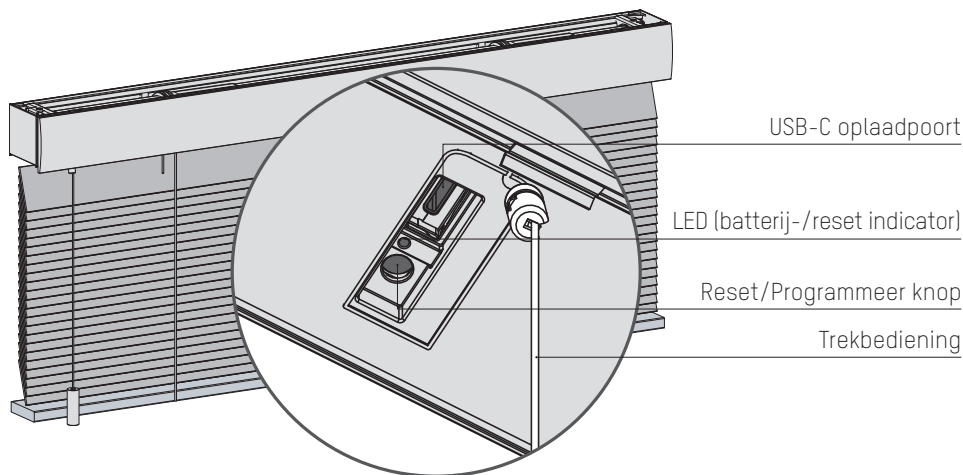


IP 20



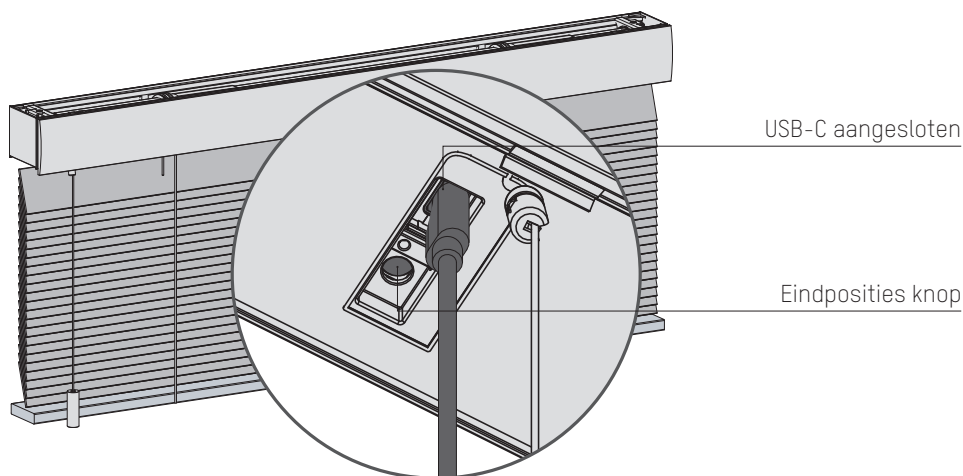
Conforms to
UL Std. 325
Certified to
CSA Std. C22.2#247

i Knoppen en functies



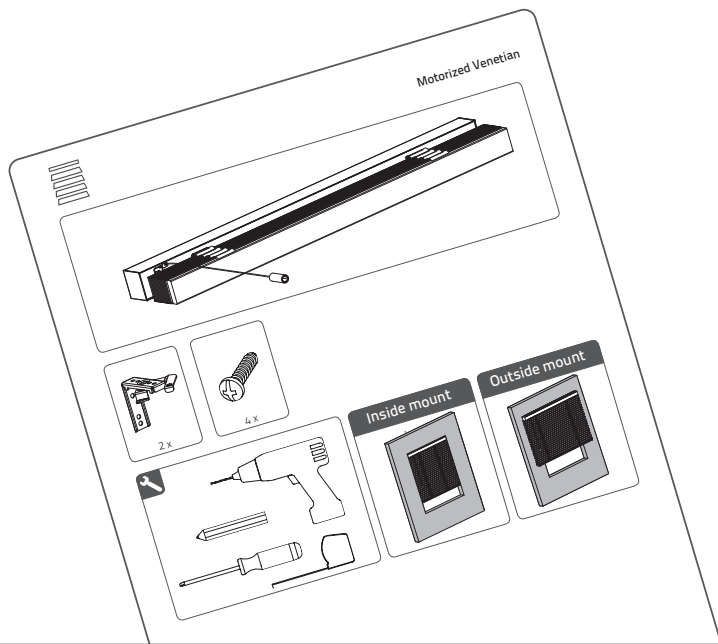
i Programmeerstanden

Wanneer een USB-C kabel wordt aangesloten en van stroom wordt voorzien, verandert de functie van de reset/programmeerknop automatisch, waardoor eindposities kunnen worden ingesteld met deze knop. Zolang de USB-C is aangesloten en van stroom wordt voorzien, kunnen de standaard reset-/programmeerfuncties niet worden gebruikt.



1 Installeer de jaloezie

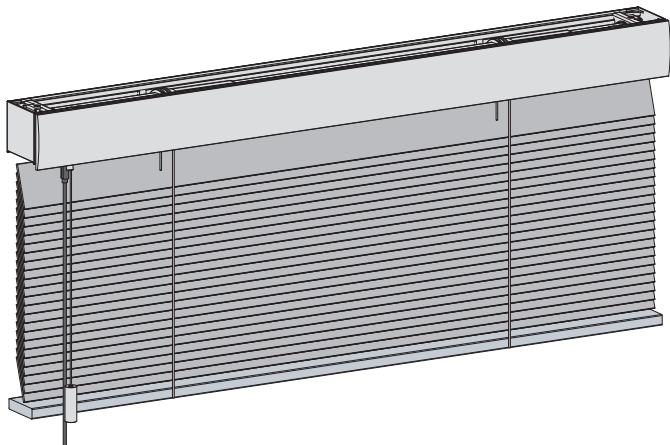
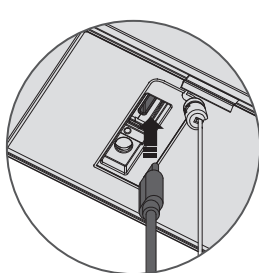
Volg de stappen in de installatie-instructies om de jaloezie te installeren.



4

2 Activeer de jaloezie

Om de jaloezie te activeren, sluit u het aan op een standaard USB-C 5V-voeding via een USB-C-kabel. Dit kan bijvoorbeeld de voedingsadapter van uw smartphone zijn.



3 Eve MotionBlinds toevoegen aan jouw platform

Voeg Eve MotionBlinds toe aan het platform van je keuze en zorg voor een compatibele Thread Border Router.

Meer informatie: motionblinds.com/eve/matter

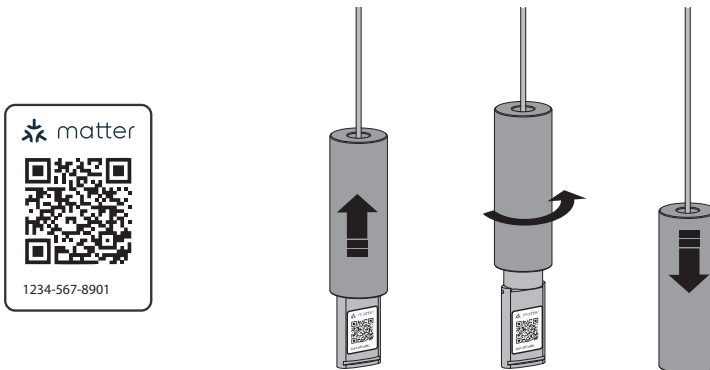


4 Programmeer de jaloezie

Nu kun je Eve MotionBlinds eenvoudig toevoegen aan je smart home in slechts een paar stappen door de Matter Setup Code te scannen met de app van je favoriete platform. Scan de Matter Setup Code om het toe te voegen aan uw platform.

Eve motionblinds heeft eindposities nodig om goed te werken. Eindposities kunnen op 2 manieren worden geprogrammeerd. In de Eve app of met de knop voor het programmeren van eindposities op je jaloezie. (Stap 5)

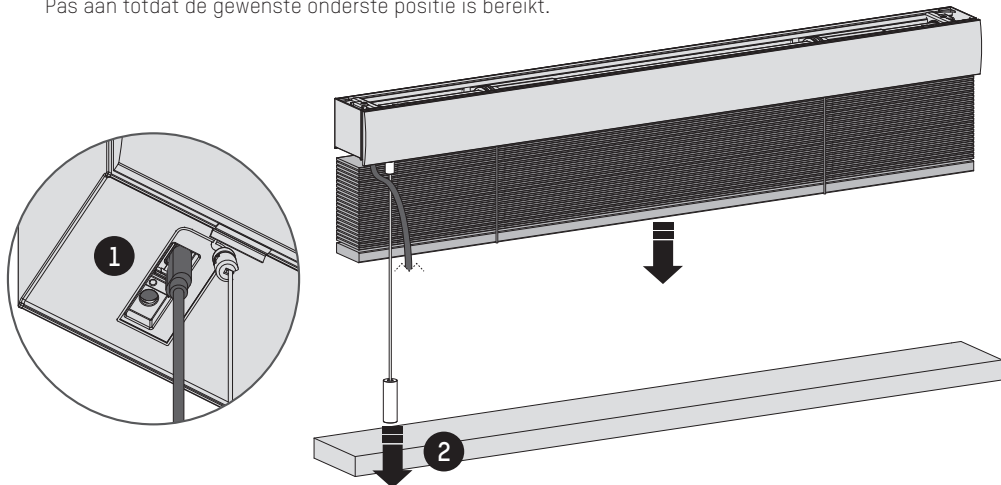
Na het scannen kun je de Matter Setup Code verbergen.



5 Stel eindposities in

U kunt de eindposities niet alleen met de app instellen, maar ook door op de knop op de motor te drukken. 1: Om naar deze programmamodus te gaan, moet je eerst de USB-C-kabel invoeren (zie pagina 3) 2: Trek aan de ketting en houd deze vast totdat de raambekleding de onderste positie heeft bereikt. Beweegt de raambekleding in de tegenovergestelde richting, laat dan de ketting los. Trek opnieuw aan de ketting en houd deze vast.

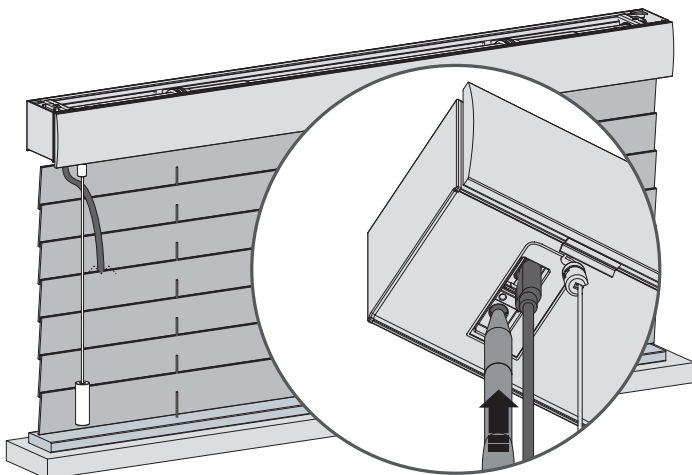
Pas aan totdat de gewenste onderste positie is bereikt.



6

6 Sla de onderste positie op

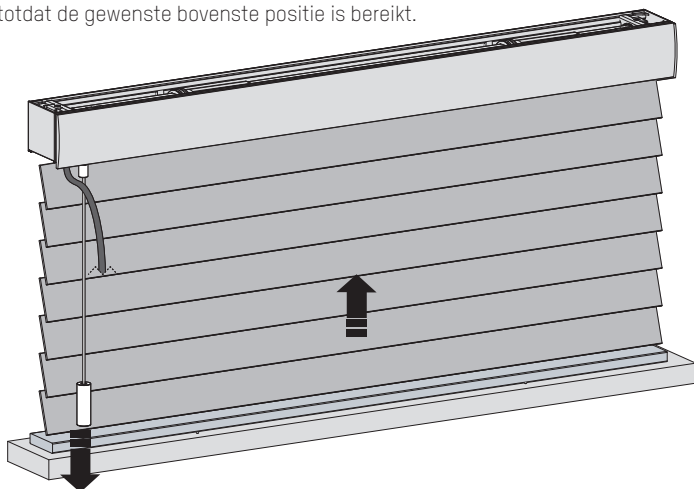
Wanneer de raambekleding op uw onderste positie staat, houdt u de knop ingedrukt totdat de raambekleding omhoog en omlaag beweegt om uw onderste positie op te slaan.



7 Beweeg de raambekleding naar de bovenste positie

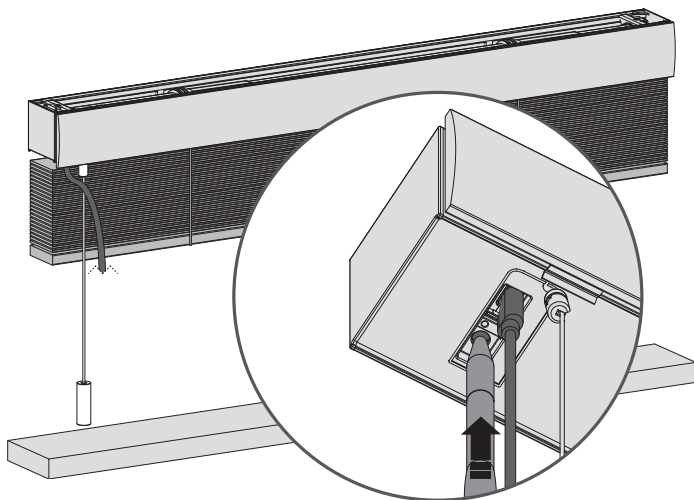
Trek aan de ketting en houd deze vast totdat de raambekleding de gewenste bovenste positie heeft bereikt. **WAARSCHUWING:** risico op beschadiging. Laat de raambekleding langzaam omhoog bewegen naar de bovenste positie. Beweegt de raambekleding in de tegenovergestelde richting, laat dan de ketting los. Trek opnieuw aan de ketting en houd deze vast.

Pas aan totdat de gewenste bovenste positie is bereikt.



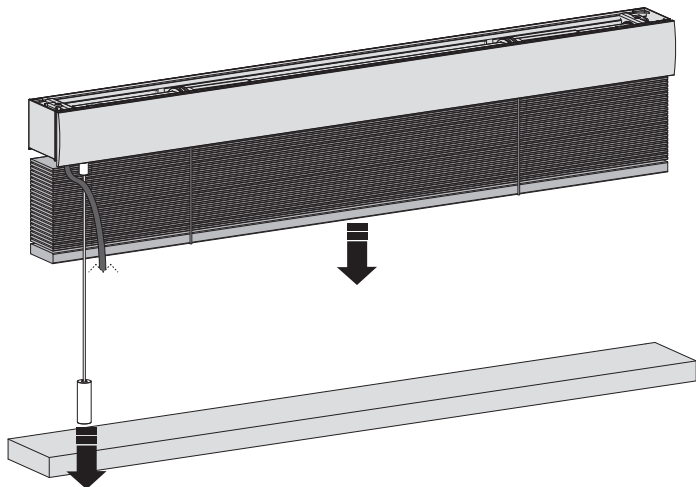
8 Sla de bovenste positie op

Wanneer de raambekleding op uw bovenste positie staat, houdt u de knop ingedrukt totdat de raambekleding omhoog en omlaag beweegt om uw bovenste positie op te slaan.



9 Pas uw eindposities aan

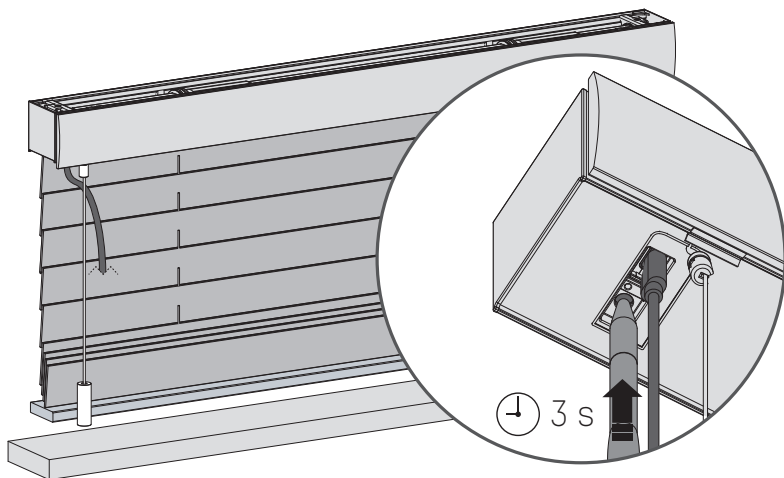
Om een van uw eindposities aan te passen, plaatst u de raambekleding op de eindpositie die u wilt aanpassen. Trek aan de ketting en wacht tot de raambekleding de eindpositie heeft bereikt die u wilt aanpassen.



8

10 Verwijder de (onderste/bovenste) positie

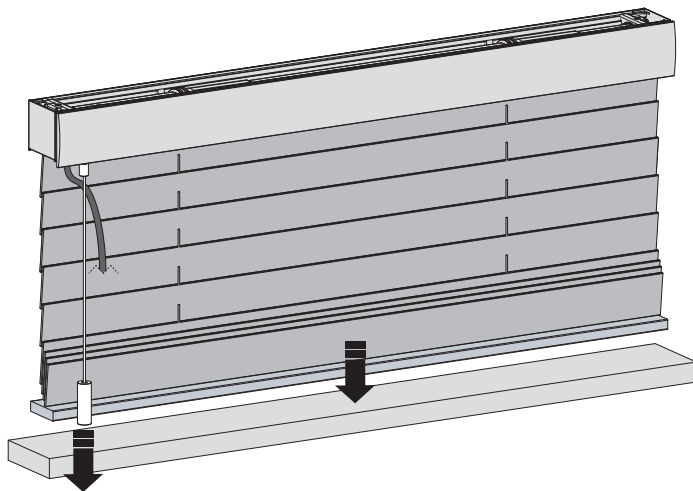
Houd de knop programmeren voor de eindpositie 3 seconden ingedrukt om uw (onderste/bovenste) positie te verwijderen. De raambekleding beweegt één maal omhoog en omlaag om te bevestigen dat de eindpositie is verwijderd. U kunt nu een nieuwe (bovenste/onderste) positie instellen.



11 Beweeg de raambekleding naar de nieuwe (onderste) positie

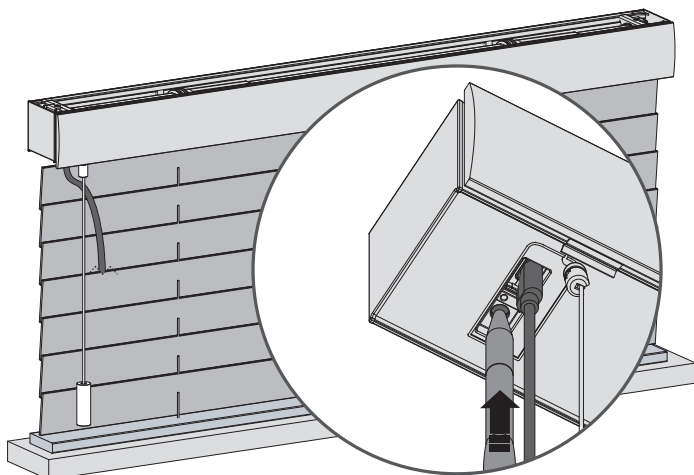
Trek aan de ketting en houd deze vast totdat de raambekleding de onderste positie heeft bereikt. Beweegt de raambekleding in de tegenovergestelde richting, laat dan de ketting los. Trek opnieuw aan de ketting en houd deze vast.

Pas aan totdat de gewenste onderste positie is bereikt.



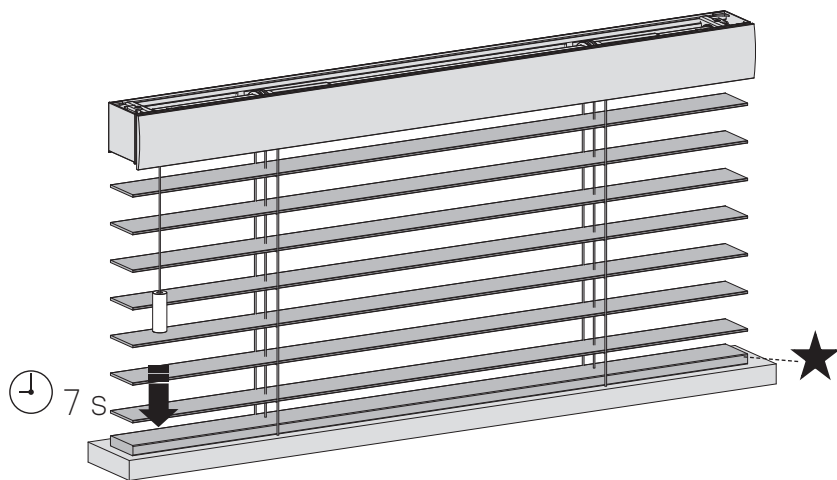
12 Sla de (onderste) positie op

Wanneer de raambekleding op uw onderste positie staat, houdt u de knop ingedrukt totdat de raambekleding omhoog en omlaag beweegt om uw onderste positie op te slaen.



13 Sla de favoriete positie op

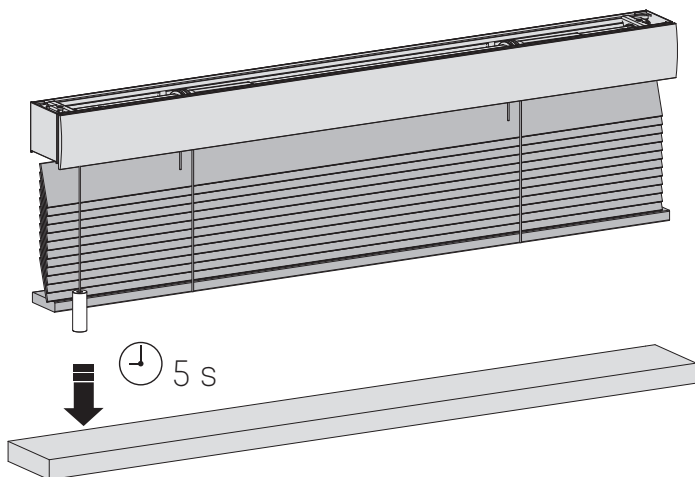
Als er geen favoriete positie is geprogrammeerd, moet u de raambekleding op uw favoriete positie plaatsen. Wanneer de raambekleding op uw favoriete positie staat, houdt u de trekbediening vast totdat de raambekleding één keer op en neer gaat (ongeveer 7 seconden).



10

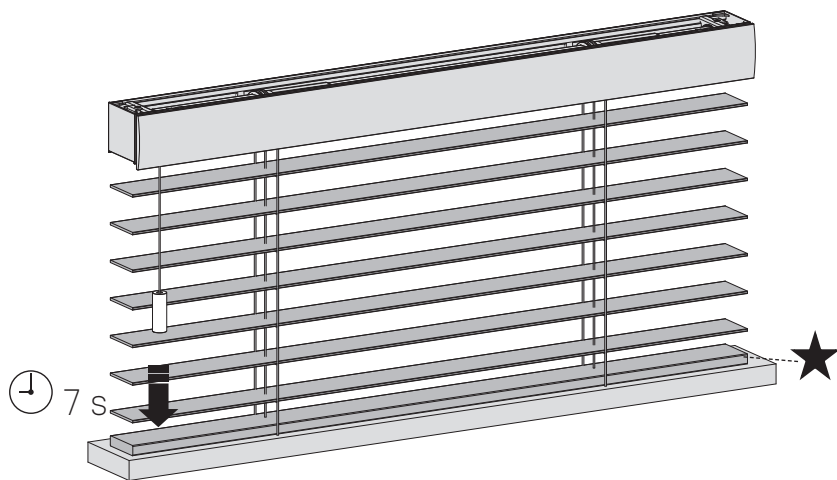
14 Bediende raambekleding naar de favoriete positie

Als de raambekleding niet op de favoriete positie staat, houdt u de trekbediening 5 seconden vast en de raambekleding beweegt naar de favoriete positie.



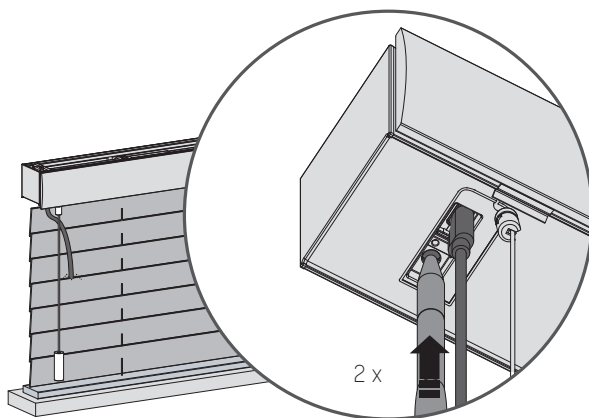
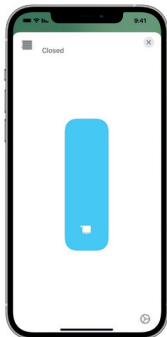
15 Sla een nieuwe favoriete positie op

Om uw vorige favoriete positie te verwijderen, moet u de raambekleding op uw huidige favoriete positie plaatsen. (Stap 14) Houd de trekbediening vast totdat de raambekleding één keer op en neer gaat. (Ongeveer 7 seconden.) Uw favoriete positie is nu gewist. Volg stap 13 om een nieuwe favoriete positie in te stellen.



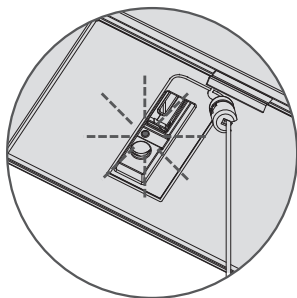
i Verander de draairichting

Als in de app de positie van de raambekleding tegenovergesteld is aan die van de raambekleding zelf, verander dan de draairichting door de knop Eindpositie binnen een seconde twee keer in te drukken.

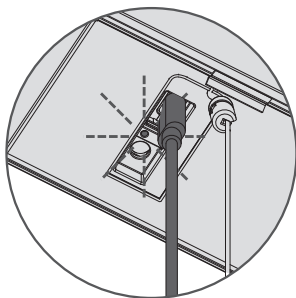


i Laad de raambekleding op

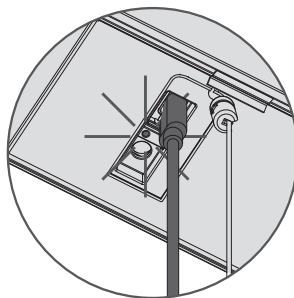
Om de raambekleding op te laden, sluit u deze raambekleding aan op een standaard USB-C 5V-voeding via een USB-C-kabel. Bijvoorbeeld via de voedingsadapter van uw smartphone. Laad minstens één keer per jaar op.



Het ledlampje knippert
rood wanneer het
systeem actief is;
laad de batterij op



Het ledlampje
knippert groen;
de batterij wordt
opgeladen



Het ledlampje brandt
groen; de batterij is
helemaal opgeladen

Belangrijke veiligheidsinstructies

WAARSCHUWING: Om het risico op ernstige verwondingen of op de dood te verminderen is het belangrijk voor de veiligheid van personen om deze instructies te volgen. Bewaar deze instructies.

- Lees alle installatie-instructies en volg ze op.
- Dit apparaat kan worden gebruikt door kinderen vanaf 8 jaar, door personen met lichamelijke, zintuiglijke of verstandelijke beperkingen en door personen zonder ervaring en kennis, mits er sprake is van toezicht of van instructies over het veilige gebruik van het apparaat en mits ze de mogelijke gevaren van het gebruik ervan hebben begrepen. Laat kinderen niet met het apparaat spelen. Laat kinderen het apparaat niet zonder toezicht schoonmaken en onderhouden.
- Laat de kinderen niet spelen met vaste bedieningselementen. Houd de afstandsbediening buiten bereik van kinderen.
- Controleer regelmatig of de installatie niet uit balans is en of er sporen zijn van slijtage of schade aan kabels en veren. Gebruik het product niet als er reparatie of aanpassing nodig is.
- Deze handleiding is ook online beschikbaar.
- De aandrijving moet van de voedingsbron worden losgekoppeld tijdens het vervangen van onderdelen, schoonmaken en onderhouden.
- Het A-gewogen geluidsdrukkniveau in de oren van de gebruiker is gelijk aan of minder dan 70 dB(A).
- Alleen voor gebruik binnenshuis en in huishoudelijke omgevingen.
- Koppel de aandrijving los van de voeding of schakel de automatische bediening uit wanneer er onderhoudswerkzaamheden in de omgeving worden uitgevoerd, zoals tijdens het wassen van ramen.
- Zorg dat er geen andere personen in de buurt zijn als u een dodemansschakelaar gebruikt.
- Bedien het product niet wanneer er onderhoudswerkzaamheden in de buurt worden uitgevoerd, zoals het wassen van ramen.
- De buismotor mag alleen werken met een veilige, extra lage spanning die overeenkomt met de markering op het apparaat.
- Maximale bedrijfstemperatuur van de motor is +55°C. Maximale oplaadtemperatuur van de accu is +45°C.

- Dit apparaat bevat accu's die niet kunnen worden vervangen.

Belangrijke installatie-instructie

WAARSCHUWING: Belangrijke veiligheidsinstructies. Volg alle instructies; onjuiste installatie kan tot ernstig letsel leiden.

- Deze motor kan alleen worden gebruikt met zacht materiaal voor aangedreven onderdelen.
- Gevaarlijke onbeschermde bewegende onderdelen van de aandrijving moeten hoger dan 2,5m boven de vloer of andere vlakke ondergrond die er toegang toe biedt worden geïnstalleerd.
- Installeer het bewegende deel van een handmatige vrijgave minder dan 1,8 m hoog.
- Het bewegende deel van een dodemansschakelaar moet binnen het zicht van het aangedreven onderdeel maar uit de buurt van bewegende onderdelen worden geplaatst. Het moet op een minimale hoogte van 1,5 m worden geïnstalleerd en ontoegankelijk zijn voor het publiek.
- De massa en dimensie van het aangedreven onderdeel moeten compatibel zijn met het nominale vermogen en de nominale bedrijfstijd.
- Vaste bedieningsonderdelen moeten na de installatie duidelijk zichtbaar zijn.
- Het aangedreven deel moet compatibel zijn met het nominale vermogen 6,0 N.m en de nominale bedrijfstijd (12 min.).
- Minimale buisdiameter: \varnothing 42 mm.
- De aandrijving is bedoeld om te worden geïnstalleerd op een hoogte van minimaal 2,5m boven de vloer of een andere ondergrond die toegang biedt.
- De ont koppeling van alle polen moet in de vaste bedrading worden verwerkt volgens de bedradersregels.
- De batterij moet uit het apparaat worden verwijderd voor het apparaat wordt gesloopt. Voor de batterij verwijderd kan worden, moet het apparaat worden losgekoppeld van het stroomnet. Gooi de batterij niet weg, maar lever deze in bij de daarvoor bedoelde inleverpunten.

FCC-handleiding | FCC ID: ZY4CM06E IC:28117-CM06E

Wettelijk verplichte informatie

1 FCC-informatie voor de gebruiker

Dit product bevat geen onderdelen die door de gebruiker kunnen worden gerepareerd en mag alleen worden gebruikt met goedgekeurde antennes. Wijzigingen of aanpassingen aan het product zorgen dat wettelijke certificeringen en goedkeuringen die van toepassing zijn ongeldig worden.

2 FCC-kennisgevingen inzake elektronische emissies

Dit apparaat voldoet aan deel 15 van de FCC-regels.

Op het gebruik zijn de volgende twee voorwaarden van toepassing:

1. Dit apparaat mag geen schadelijke storingen veroorzaken;
2. Dit apparaat moet bestand zijn tegen alle storingen die worden ontvangen, inclusief storingen die een ongewenste werking kunnen veroorzaken.

14 3 FCC-verklaring inzake storingen door radiofrequentie

Deze apparatuur is getest en voldoet aan de beperkingen voor digitale apparaten van Klasse B, zoals beschreven in deel 15 van de FCC-regels. Deze limieten zijn opgesteld om redelijke bescherming te bieden tegen schadelijke storing wanneer de apparatuur in een bedrijfsomgeving wordt bediend. Deze apparatuur genereert en gebruikt radiofrequentie-energie en kan deze energie uitstralen; als de apparatuur niet wordt geïnstalleerd en gebruikt volgens de instructies, kan deze schadelijke storingen in de radiocommunicatie veroorzaken.

Gebruik van dit apparaat in een woonomgeving kan mogelijk schadelijke storing veroorzaken. In dat geval is de gebruiker verplicht om de storing voor eigen rekening te verhelpen.

Als dit apparaat schadelijke storing aan radiocommunicatie veroorzaakt (wat kan worden vastgesteld door de apparatuur uit en aan te zetten), dan wordt de gebruiker aangemoedigd om de storing te verhelpen door een van de volgende maatregelen uit te voeren:

- Verstel of verplaats de ontvangstantenne;
- Vergroot de afstand tussen de apparatuur en

de ontvanger;

- Sluit de apparatuur op een stopcontact aan dat zich in een ander circuit bevindt dan het stopcontact van de ontvanger;
- Raadpleeg de leverancier of een ervaren radio-/tv-monteur voor hulp.

Om te voldoen aan FCC / IC RF blootstelling vereisten, moet een afstand van 20 cm of meer worden aangehouden tussen de antenne van dit apparaat en personen tijdens het gebruik van het apparaat. Om conformiteit, wordt gebruik op kortere afstand dan deze afstand niet aanbevolen.

EU verklaring

Hierbij verklaart Coulisse dat de radioapparatuur type CM-06-E-V voldoet aan richtlijn 2014/53/EU. De volledige EU-conformiteitsverklaring is beschikbaar op support.motionblinds.com

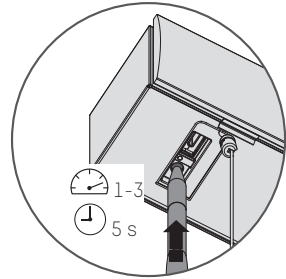
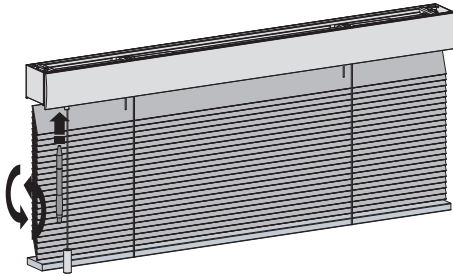
- Frequentiebereik: 433 MHz, RF-vermogen: 2.32 dBm
- Frequentiebereik BLE: 2402 - 2480 MHz, RF-vermogen: 3 dBm EIRP
- Frequentiebereik Thread: 2405 - 2480 MHz, RF-vermogen: < 20 dBm EIRP

ISED-conformiteit

Dit apparaat bevat van vergunning vrijgestelde zender(s)/ontvanger(s)(en) die voldoen aan de door Innovation, Science and Economic Development Canada's van vergunning vrijgestelde RSS[s]. Gebruik is onderworpen aan de volgende twee voorwaarden: Dit apparaat mag geen storing veroorzaken. Dit apparaat moet alle storingen accepteren, inclusief interferentie die een ongewenste werking van het apparaat kan veroorzaken.

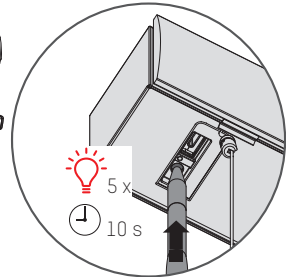
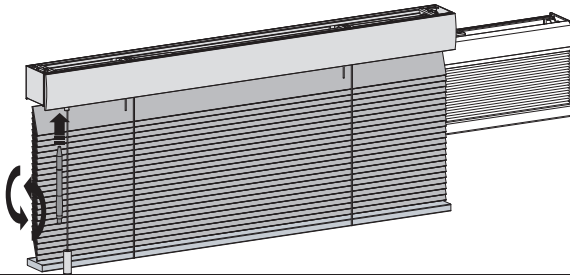
i Motorsnelheid / geluidsniveau wijzigen

⚠ WAARSCHUWING: Zorg ervoor dat de USB-C kabel verwijderd is. Anders verwijder je de eindlimieten. Houd de programmaknop 5 seconden ingedrukt om de motorsnelheid / het geluidsniveau te wijzigen. De jaloezie gaat 1 keer op en neer om aan te geven dat de snelheid is aangepast naar 1 van de 3 niveaus. Waarschuwing: laat de knop na 5 seconden los als de jaloezie op en neer gaat om te voorkomen dat de verbinding wordt gereset.



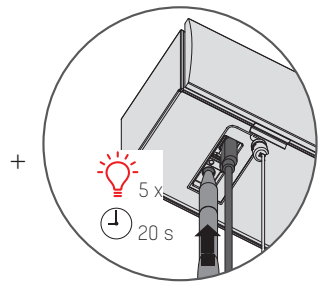
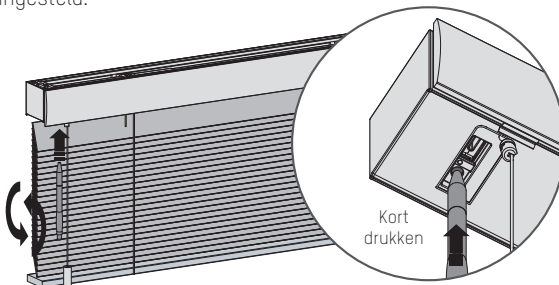
i Reset de verbinding

⚠ WAARSCHUWING: Zorg ervoor dat de USB-C kabel verwijderd is. Anders verwijder je de eindlimieten. Houd de knop programmeren 10 seconden ingedrukt om de verbinding tussen de raambekleding en de app te wissen. Het ledlampje licht 5 keer op en de raambekleding gaat 1 keer op en neer om aan te geven dat de verbinding is hersteld. De raambekleding kan nu opnieuw worden verbonden.



i Herstel de instellingen (resetten)

⚠ WAARSCHUWING: Zorg ervoor dat de USB-C kabel verwijderd is. Anders verwijder je de eindlimieten. Het opnieuw instellen van de raambekleding heeft tot gevolg dat de eindposities en verbindingen van de raambekleding met apps en afstandsbedieningen worden gewist. Druk kort op de knop programmeren om de programmeermodus te activeren. De raambekleding begint op en neer te bewegen. Houd de reset-/programmeerknop minimaal 20 seconden ingedrukt om de raambekleding opnieuw in te stellen. De raambekleding stopt twee keer met bewegingen maken. Na de tweede stop beweegt de raambekleding nog een keer om aan te geven dat de raambekleding opnieuw is ingesteld.

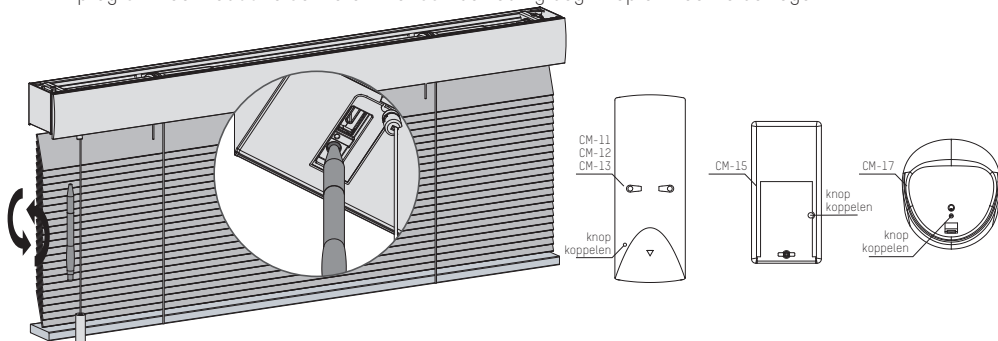


PROGRAMMEREN MET AFSTANDSBEDIENING

1 Koppel een afstandsbediening

Elke MotionBlinds afstandsbediening kan aan uw raambekleding worden gekoppeld.

- 1 Selecteer een kanaal op de afstandsbediening en druk op de knop programmeren op de motor om de programmeermodus te activeren. De raambekleding begint op en neer te bewegen.



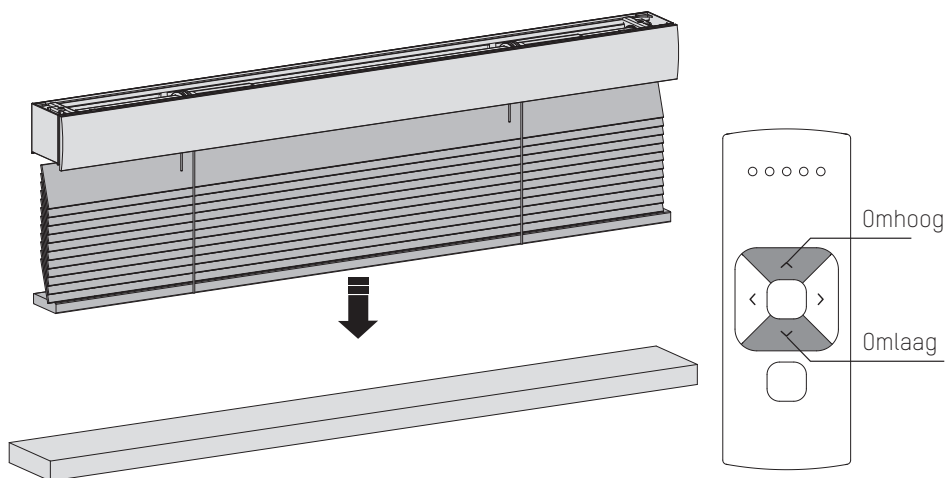
- 2 Druk op de koppelingsknop op de achterkant van de afstandsbediening om de raambekleding aan het gewenste kanaal te koppelen. De raambekleding stopt even met bewegingen maken om aan te geven dat de afstandsbediening aan de raambekleding is gekoppeld.
- 3 Druk kort op de knop programmeren om de programmeermodus uit te schakelen. De raambekleding stopt met bewegingen maken en kan worden bediend.

18

2 Controleer de draairichting

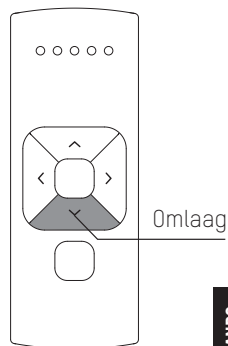
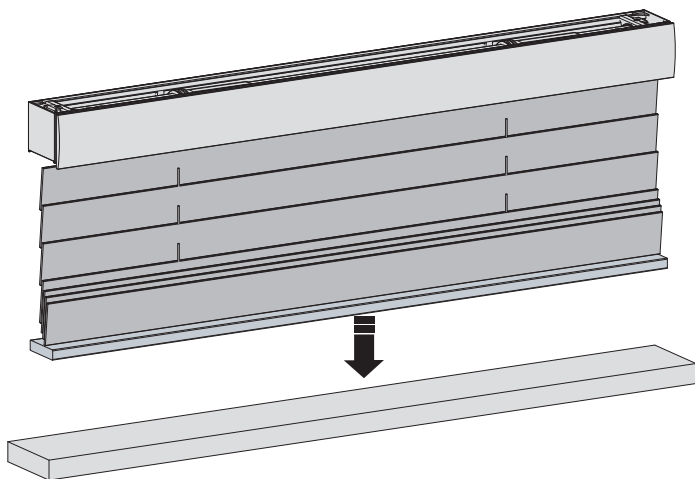
WAARSCHUWING: risico op beschadiging. Stop de raambekleding voordat deze de eindposities bereikt.

- 1 Druk kort op de knop voor omlaag om te controleren of de raambekleding op de juiste manier wordt afgerold. De draairichting moet worden veranderd als de raambekleding omhoog gaat.
- 2 Druk tegelijkertijd op de knoppen voor omhoog en omlaag om de draairichting te wijzigen.



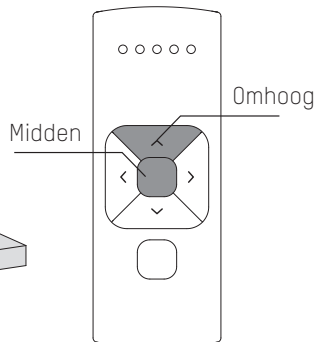
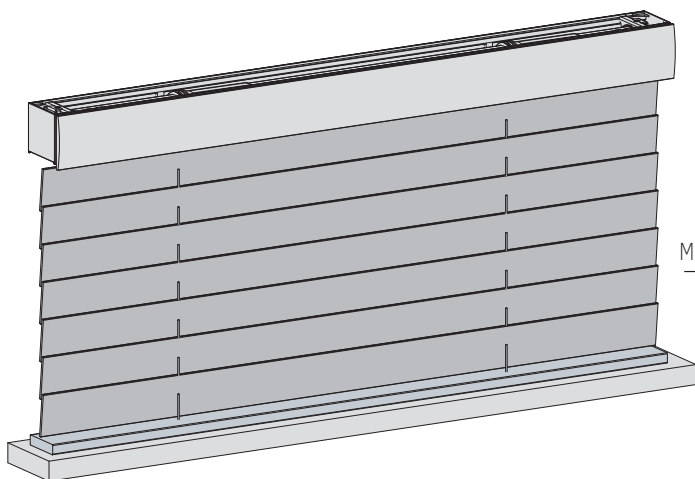
3 Stel onderste positie in

Houd de knop voor omlaag ingedrukt totdat de raambekleding de gewenste onderste positie bereikt. **WAARSCHUWING:** risico op beschadiging. Laat de raambekleding langzaam zakken naar de onderste positie.



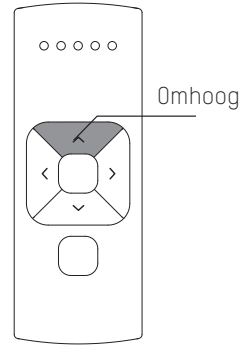
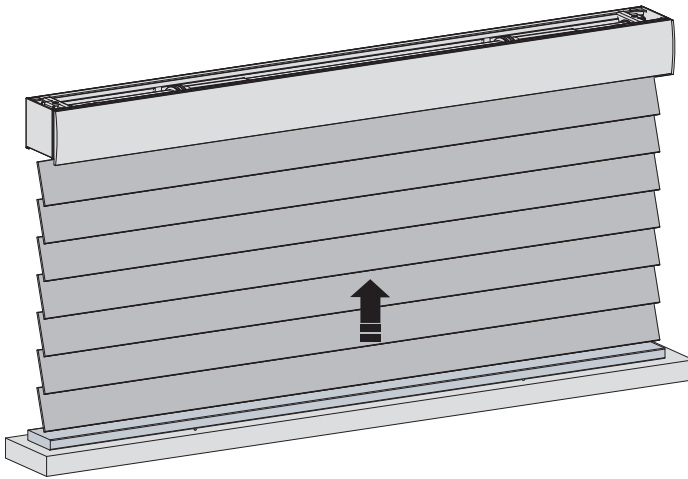
4 Sla onderste positie op

Houd tegelijkertijd de knop in het midden en de knop voor omhoog ingedrukt totdat de raambekleding stopt met bewegingen maken en er daarna weer mee begint. De onderste positie is opgeslagen.



5 Stel bovenste positie in

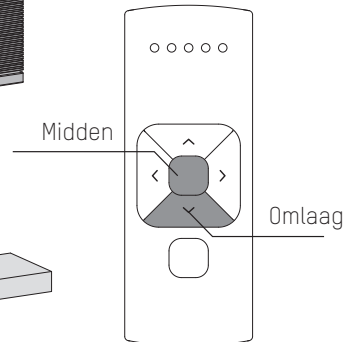
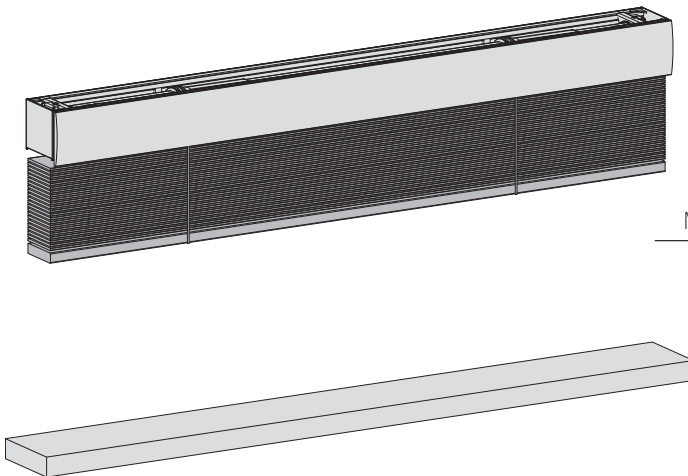
Houd de knop voor omhoog ingedrukt totdat de raambekleding de gewenste bovenste positie bereikt. **WAARSCHUWING:** risico op beschadiging.
Laat de raambekleding langzaam omhoog bewegen naar de bovenste positie.



20

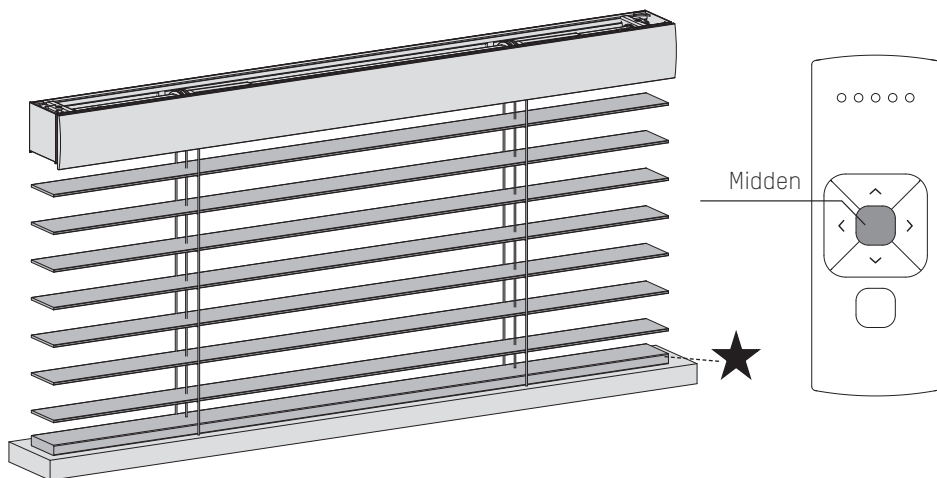
6 Sla bovenste positie op

Houd tegelijkertijd de knop in het midden en de knop voor omlaag ingedrukt totdat de raambekleding stopt met bewegingen maken en er daarna weer mee begint. De bovenste positie is opgeslagen.



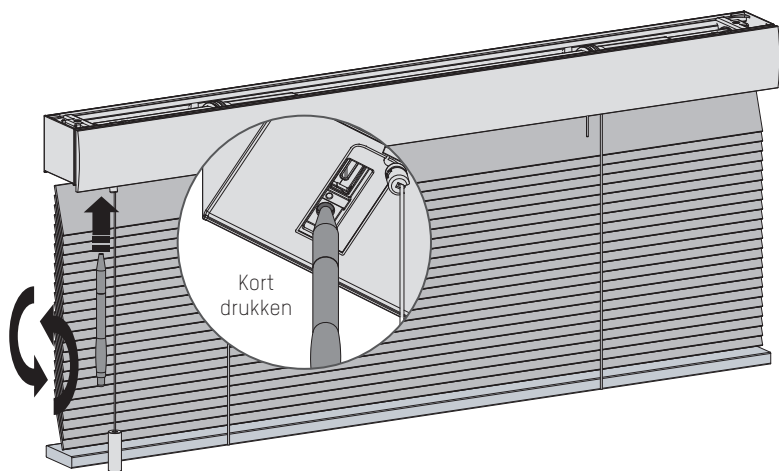
7 Stel favoriete positie in (optioneel)

- 1 Laat de raambekleding naar een gewenste favoriete positie bewegen.
- 2 Houd de knop in het midden ingedrukt om deze favoriete positie op te slaan. De raambekleding stopt even met bewegingen maken om aan te geven dat de favoriete positie is opgeslagen.



8 Schakel programmeermodus uit

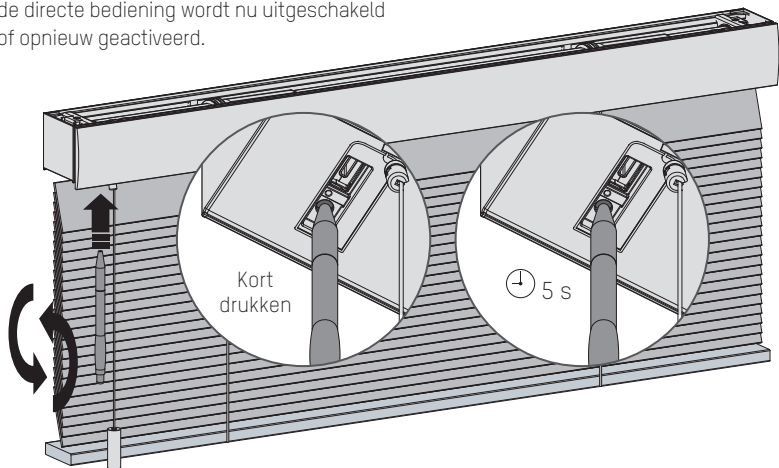
Druk kort op de knop programmeren om de programmeermodus uit te schakelen. De raambekleding stopt met bewegingen maken en kan worden bediend.



i Schakel de directe bediening uit bij de afstandsbediening (Niet aanbevolen voor jaloeziën)

Als u op de knop omhoog of omlaag op de afstandsbediening drukt, beweegt de raambekleding gelijk naar de eindposities (directe bediening). De directe bediening kan worden uitgeschakeld, zodat de raambekleding in kleinere stappen kan worden bediend met behulp van de knoppen omhoog en omlaag. De raambekleding kan nu alleen direct naar de eindposities bewegen als er langer dan twee seconden op de knop voor omhoog of omlaag wordt gedrukt.

- 1** Druk op de knop programmeren op de motor om de programmeermodus te activeren. De raambekleding begint met bewegingen maken.
- 2** Houd de knop programmeren ingedrukt totdat de raambekleding stopt met bewegingen maken (circa 5 seconden); de directe bediening wordt nu uitgeschakeld of opnieuw geactiveerd.

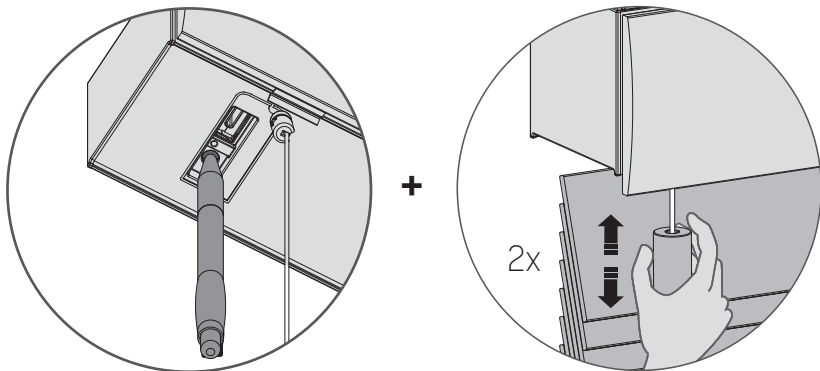


VEELGESTELDE VRAGEN

i Activeer/deactiveer de motor (transportmodus)

Om schade aan de raambekleding te voorkomen, heeft de motor een transportmodus. Deze zorgt ervoor dat de raambekleding niet wordt geactiveerd voordat deze is geïnstalleerd.

- 1** Houd de knop programmeren ingedrukt en trek twee keer om de motor in of uit te schakelen. (Als de motor is geactiveerd, brandt er een groen ledlampje, als de motor is gedeactiveerd, brandt er een rood ledlampje.)

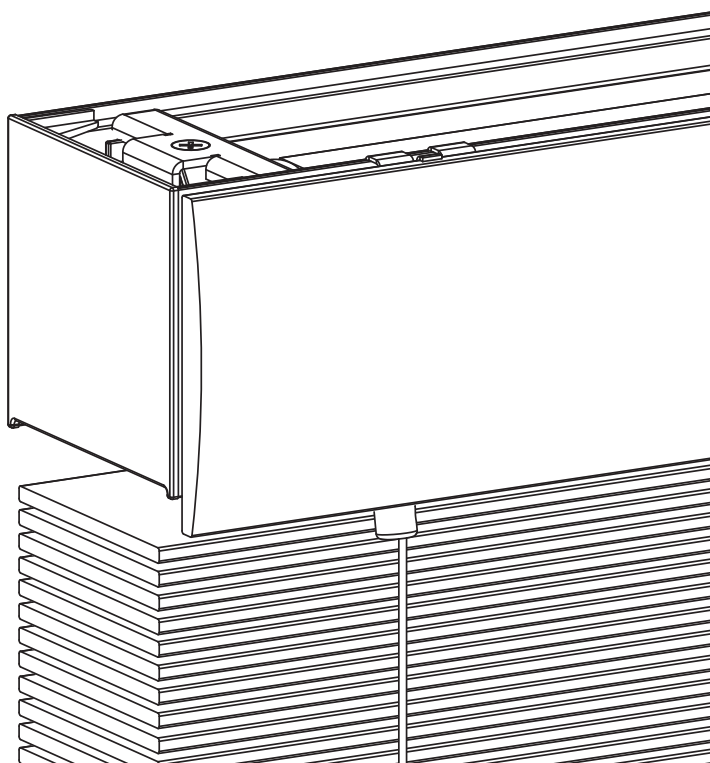


Probleem	Oorzaak	Oplossing
De raambekleding werkt niet.	De motor is in de transportmodus.	Activeer de motor. Zie pagina 4/248
	De batterij van de motor is leeg.	Laad de motor op. Zie pagina 12.
	De batterij van de afstandsbediening is leeg. (Ledlampjes van de afstandsbediening knipperen snel.)	Vervang de batterij in de afstandsbediening. Raadpleeg de handleiding voor de afstandsbediening.
	De batterij is verkeerd in de afstandsbediening geplaatst.	Plaats de batterij in de afstandsbediening opnieuw. Raadpleeg de handleiding voor de afstandsbediening.
	RF-storing	Controleer of de antenne van de motor niet wordt gehinderd door metalen voorwerpen.
	De afstand tussen de telefoon/bridge/afstandsbediening en de motor is te groot.	Ga dichterbij de motor staan.
	De afstandsbediening is niet verbonden met de raambekleding.	Koppel de afstandsbediening aan de motor. Zie pagina 18.
Het ledlampje voor de motor knippert rood.	De batterij van de motor is leeg.	Laad de motor op. Zie pagina 12.
De raambekleding wordt niet opgeladen.	De oplader is niet aangesloten of werkt niet.	Probeer een andere oplader of controleer of de oplader op het stopcontact is aangesloten.
Er reageren meerdere raambekledingen op één afstandsbediening. (Het is niet mogelijk één raambekleding te programmeren.)	Er zijn meerdere raambekledingen aan één kanaal gekoppeld.	Koppel de raambekleding aan een vrij kanaal om deze te programmeren of gebruik enkele selectie om deze specifieke raambekleding te programmeren.
De raambekleding beweegt in kleine stapjes.	1) Er zijn geen eindposities geprogrammeerd. 2) De directe bediening is uitgeschakeld.	1) Programmeer eindposities. Zie pagina 6-7, 18-20. 2) Activeer directe bediening. Zie pagina 22.
De favoriete positie kan niet worden geprogrammeerd.	Er zijn geen eindposities geprogrammeerd.	Programmeer eindposities. Zie pagina 6-7, 18-20.
De raambekleding gaat te ver naar beneden.	De eindposities zijn verkeerd geprogrammeerd.	Programmeer de eindposities opnieuw. Zie stap 6-7, 18-20.
De raambekleding beweegt in de tegenovergestelde richting.	De draairichting is verkeerd ingesteld.	Verander de draairichting. Zie pagina 11, 18.
De raambekleding blijft omhoog en omlaag bewegen.	De raambekleding staat in de programmeermodus.	Druk op de knop programmeren op de motor om de programmeermodus af te sluiten.
De raambekleding maakt geen verbinding met je Thread-netwerk.	De verbinding van de raambekleding is niet stabiel.	1) Schakel Bluetooth in 2) Deactiveer de motor en activeer de motor opnieuw en probeer opnieuw verbinding te maken. Zie pagina 28 3) Sluit de app en maak opnieuw verbinding met de motor.

Guía de configuración

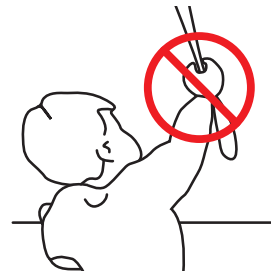
Persiana Veneciana

Motor CM-06-E-V





ADVERTENCIA



Lea detenidamente las instrucciones antes de instalar y usar el producto. El proceso de montaje puede ser completado por personas no profesionales. Para uso en interiores.

- Se han producido estrangulaciones de niños con cordones de tiro, cadenas, cintas y cordones de accionamiento de este producto.
- Mantenga los cordones fuera del alcance de los niños para evitar que puedan quedarse atrapados en ellos y estrangularse.
- Los cordones pueden enrollarse en el cuello de los niños.
- Separe las camas, las cunas y los muebles de los cordones de las cortinas.
- No anude los cordones.
- Asegúrese de que los cordones no se entrecrucen y formen un lazo.

Limpeza

Siga estas reglas generales al limpiar la parte exterior del dispositivo y sus componentes:

- Usar un trapo suave, sin pelusa, húmedo. Evitar que entre humedad en las aperturas.
- No usar aerosoles en spray, disolventes, alcohol, ó abrasivos.

Servicio y Soporte

No hacer ninguna reparación. No intente abrir o desamblar el dispositivo. Corre el riesgo de una descarga eléctrica e invalidar la garantía limitada. No hay ninguna parte en el interior servible para el usuario.

Obtener Servicio de Garantía

Primero seguir los consejos de este folleto y luego ir a su distribuidor local.

Si el producto parece estar dañado ó no funciona adecuadamente, dirijase a su distribuidor local para recibir instrucciones de cómo obtener el servicio de garantía.

Reciclaje

Esta marca indica que este producto no debe desecharse con otros residuos domésticos en toda la UE. Para evitar posibles daños al medio ambiente o a la salud, debidos a la eliminación incontrolada de residuos, se debe reciclar correctamente para promover la reutilización sostenible de recursos materiales. Para devolver el dispositivo usado, utilice los sistemas de devolución y recogida establecidos o póngase en contacto con el establecimiento donde adquirió el producto. Ellos pueden recoger este producto para un reciclado seguro y no contaminante.

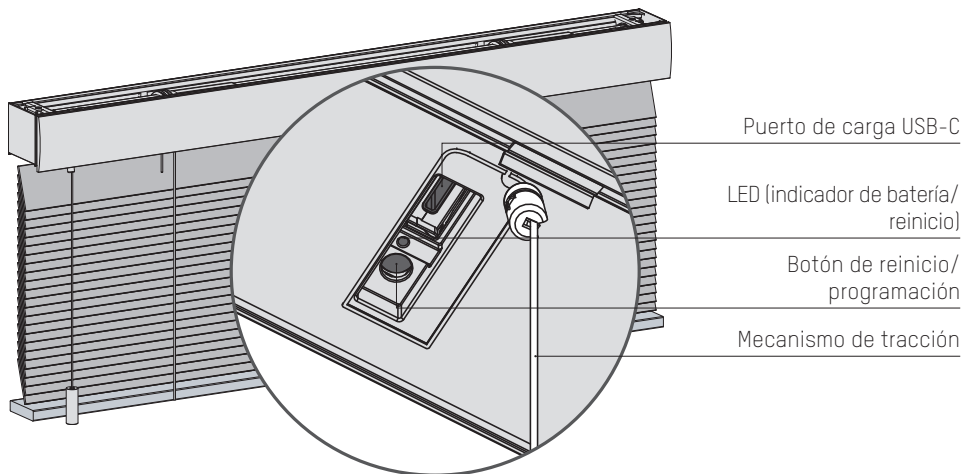


IP 20



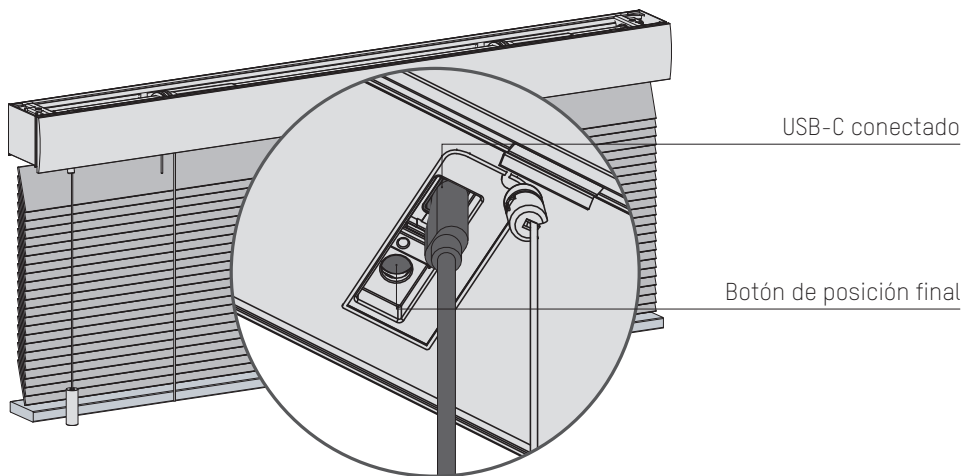
Conforms to
UL Std. 325
Certified to
CSA Std. C22.2#247

i Botones y funciones



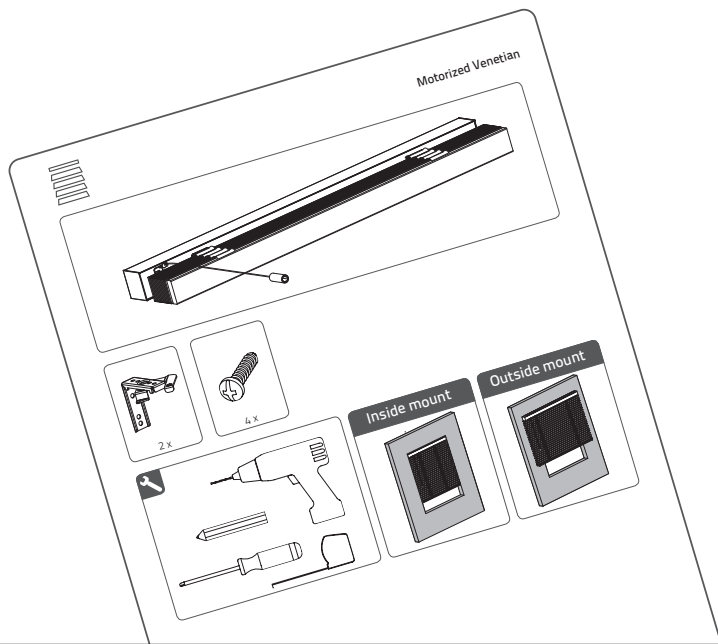
i Modos de programa

Cuando se conecta y alimenta un cable USB-C, las funciones del botón de reinicio/programación cambian automáticamente, lo que permite establecer posiciones finales con este botón. Mientras el USB-C esté conectado y alimentado, no se podrán utilizar las funciones predeterminadas de reinicio/programación.



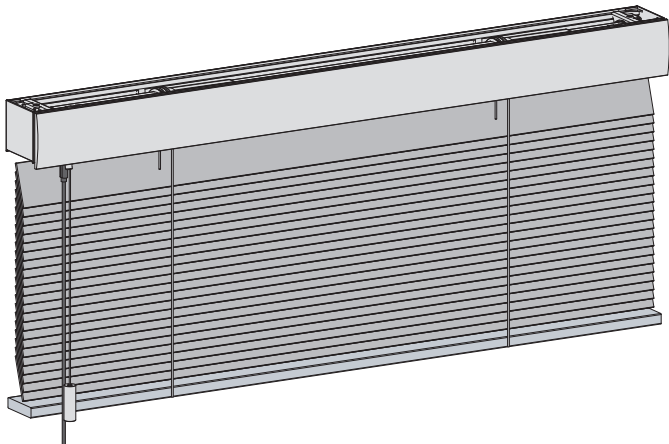
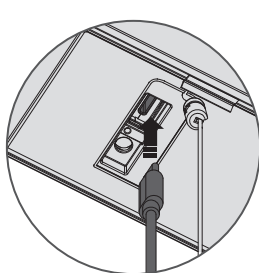
1 Instalar la cortina

Siga los pasos de las instrucciones de instalación para instalar la cortina.



2 Activar la cortina

Para activar la cortina, conéctela a una fuente de alimentación estándar USB-C de 5 V mediante un cable USB-C. Puede ser el adaptador de corriente de tu smartphone, por ejemplo.



3 Añada Eve MotionBlinds a su plataforma

Añada Eve MotionBlinds a la plataforma de su elección y asegúrese de tener un router Thread compatible.

Más información: motionblinds.com/eve/matter

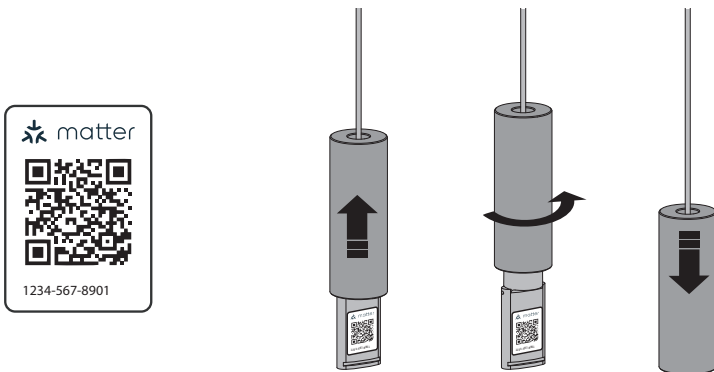


4 Configurar la cortina

Ahora puede añadir fácilmente Eve MotionBlinds a su hogar inteligente en tan solo unos pasos escaneando el código de configuración Matter mediante la aplicación de su plataforma favorita. Escanee el Matter Setup Code para añadirlo a su plataforma.

Eve motionblinds necesita posiciones finales para funcionar correctamente. Las posiciones finales se pueden programar de 2 maneras. En la aplicación Eve o mediante el botón de programación de posiciones finales de su cortina. (Paso 5)

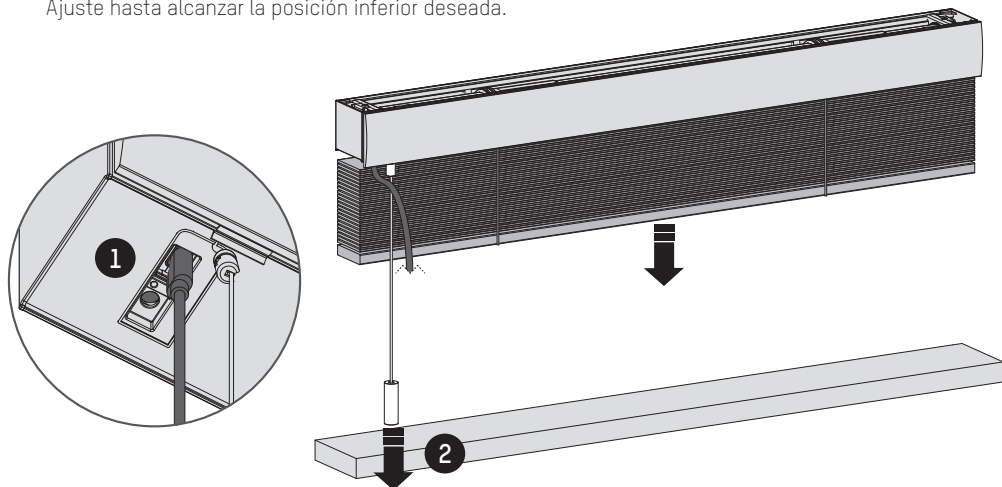
Después de escanearlo puede ocultar su Código de Configuración de Matter.



5 Ajustar las posiciones finales

Además de ajustar las posiciones finales mediante la aplicación, puede hacerlo pulsando el botón del motor. 1: Para entrar en este modo de programa asegúrate de que el cable USB-C está conectado y alimentado (ver página 3). 2: Pulse y sostenga la cadena hasta que la cortina alcance la posición inferior. Si la cortina se mueve en sentido contrario, suelte la cadena y vuelva a tirar y sujetar.

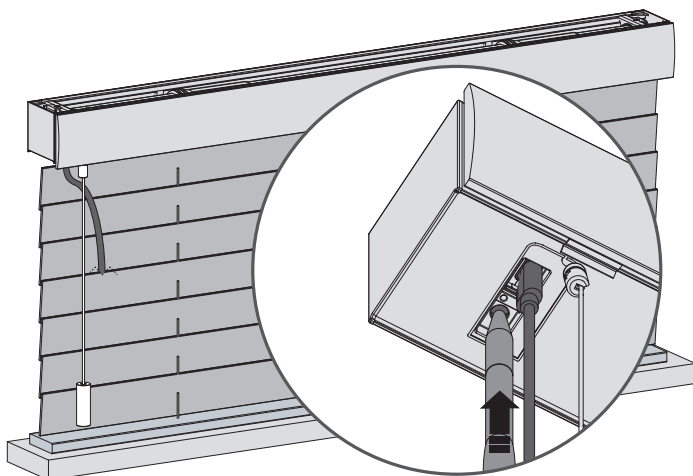
Ajuste hasta alcanzar la posición inferior deseada.



6

6 Guardar la posición inferior

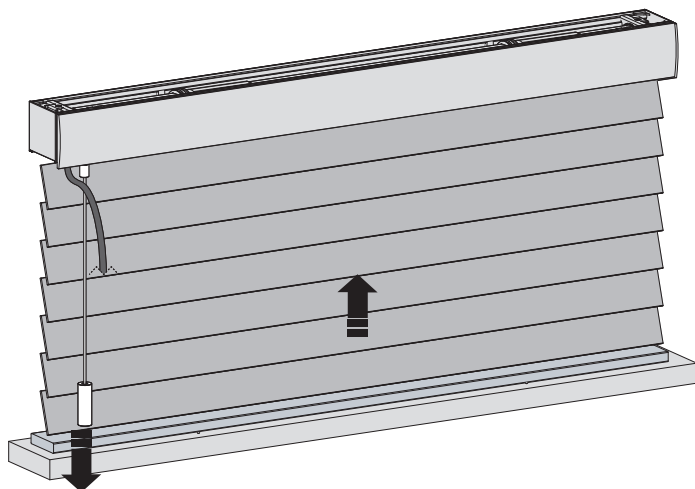
Cuando la cortina esté colocada en su posición inferior mantenga pulsado el botón hasta que la cortina se mueva hacia arriba y hacia abajo para guardar su posición inferior.



7 Mover su cortina hasta la posición superior

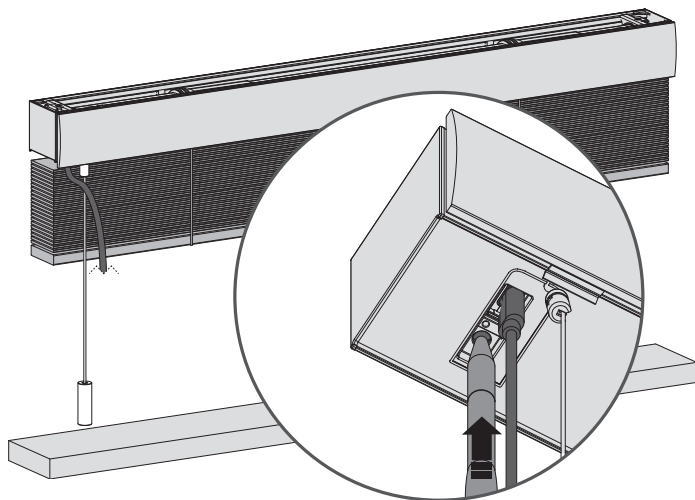
Pulse y sostenga la cadena hasta que la cortina alcance la posición superior. **ADVERTENCIA:** riesgo de daños. Acérquese lentamente a la posición superior. Si la cortina se mueve en sentido contrario, suelte la cadena y vuelva a tirar y sujetar.

Ajuste hasta alcanzar la posición superior deseada.



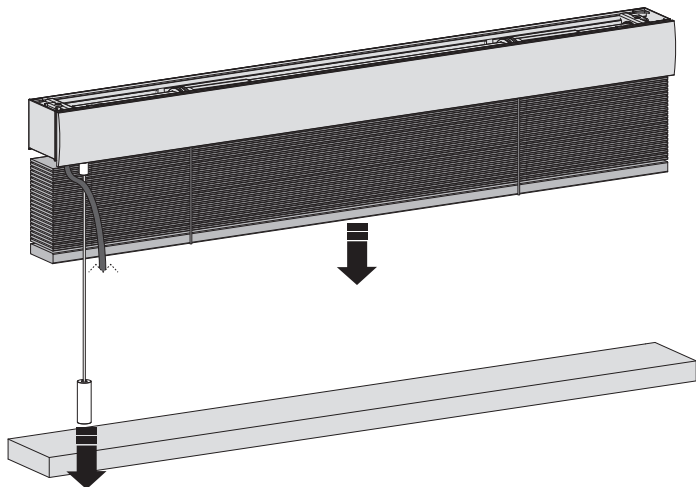
8 Guardar la posición superior

Cuando la cortina esté colocada en su posición superior mantenga pulsado el botón hasta que la cortina se mueva hacia arriba y hacia abajo para guardar su posición superior.



9 Ajustar sus posiciones finales

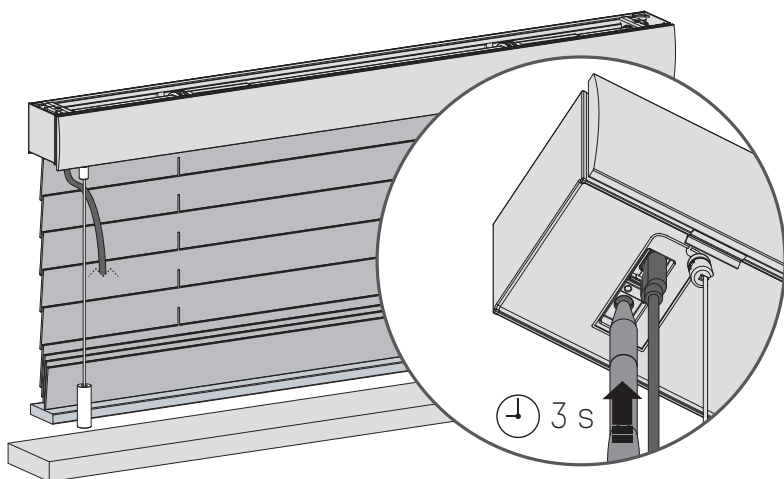
Para ajustar una de sus posiciones finales, deberá colocar la cortina en la posición final que desee ajustar. Tire y espere hasta que la cortina haya alcanzado la posición final que desea ajustar.



8

10 Borrar su posición (inferior/superior)

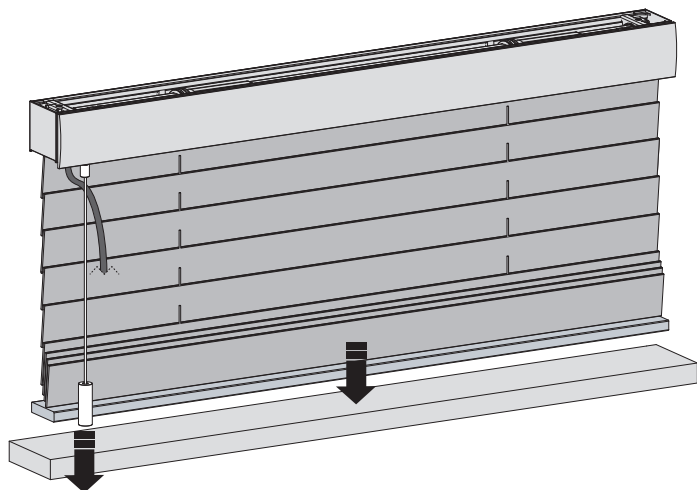
Mantenga pulsado el botón de programación de posición final durante 3 segundos para borrar su posición (inferior/superior). La cortina subirá y bajará una vez para confirmar que se ha borrado su posición final. Ahora puede fijar una nueva posición (inferior/superior).



11 Mover su cortina hasta la nueva posición (inferior)

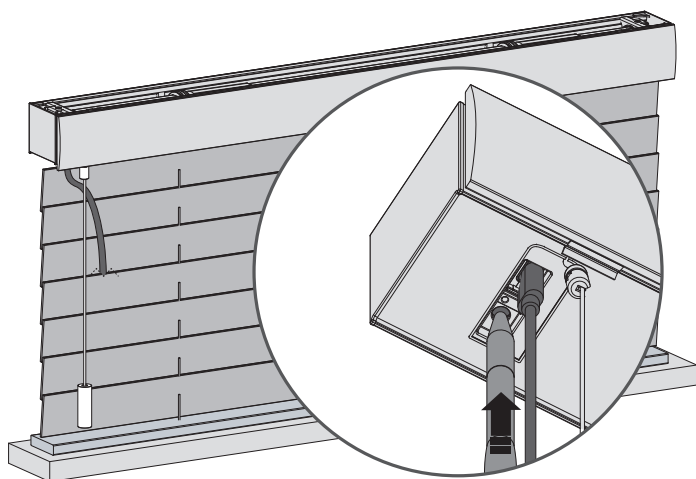
Pulse y sostenga la cadena hasta que la cortina alcance la posición inferior. Si la cortina se mueve en sentido contrario, suelte la cadena y vuelva a tirar y sujetar.

Ajuste hasta alcanzar la posición inferior deseada.



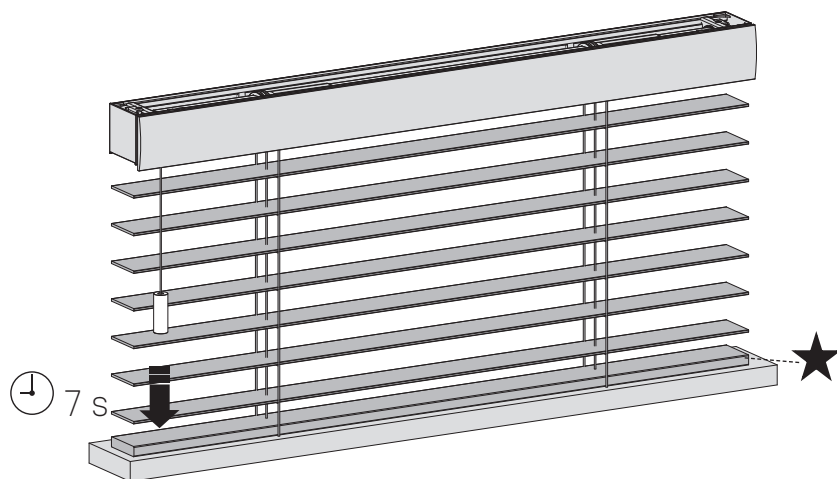
12 Guardar su posición (inferior)

Cuando la cortina esté colocada en su posición inferior mantenga pulsado el botón hasta que la cortina se mueva hacia arriba y hacia abajo para guardar su posición inferior.



13 Guardar la posición favorita

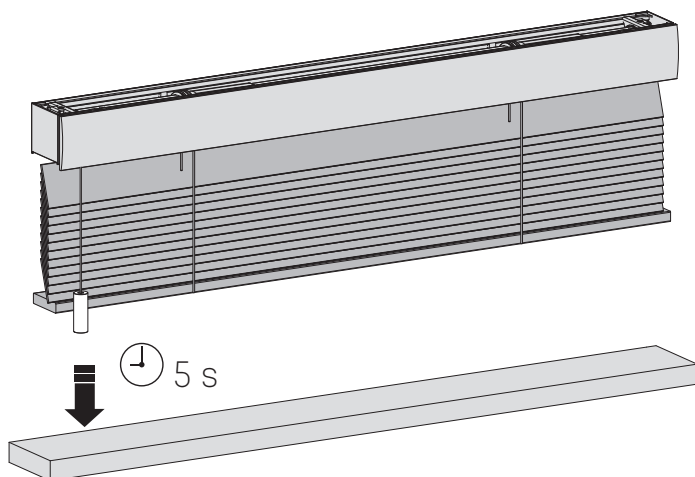
Cuando no hay una posición favorita programada, debe colocar la cortina en su posición favorita. Cuando la cortina esté en su posición favorita, tire y sostenga hasta que la cortina suba y baje una vez. (Aproximadamente 7 segundos)



10

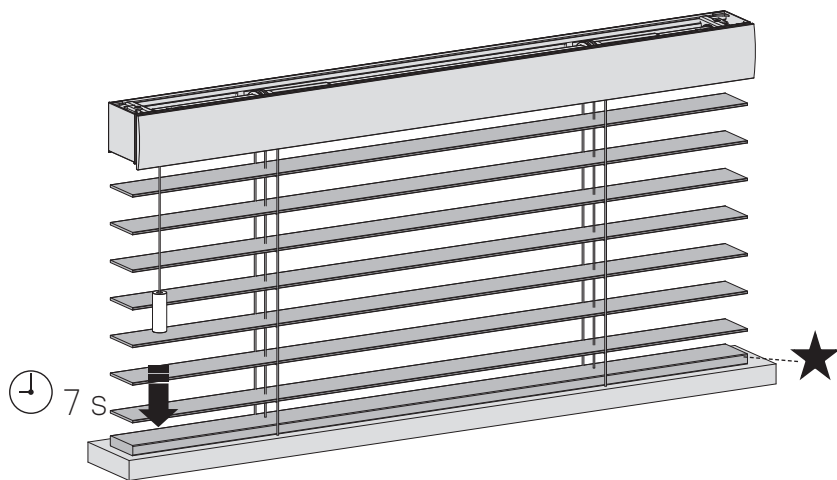
14 Controle su cortina hasta su posición favorita

Cuando su cortina no esté colocada en la posición favorita, tire y sostenga durante 5 segundos y su cortina se moverá a su posición favorita.



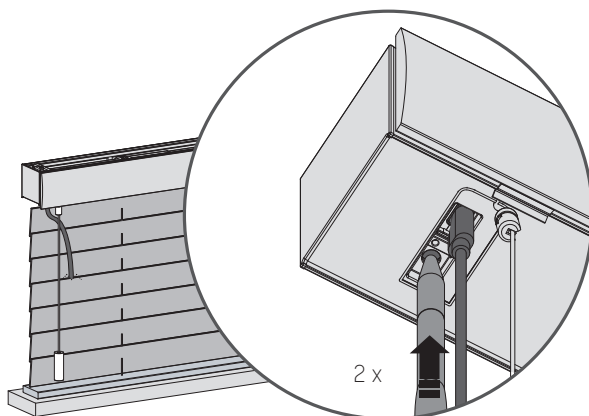
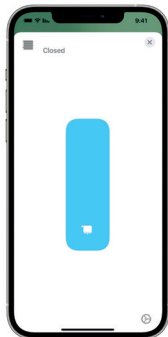
15 Guardar una nueva posición favorita

Para borrar su posición favorita anterior, debe colocar la cortina en su posición favorita actual. (Paso 14) A continuación, tire y sostenga hasta que la cortina suba y baje una vez. (Aproximadamente 7 segundos) Su posición favorita se ha borrado. Siga el paso 13 para fijar su nueva posición favorita.



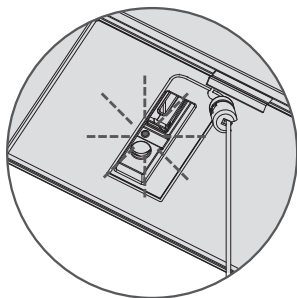
i Cambiar la dirección de rotación

Si la posición de la cortina en la aplicación es opuesta a la de su cortina, cambie la dirección de rotación pulsando el botón Posición final dos veces en un segundo.

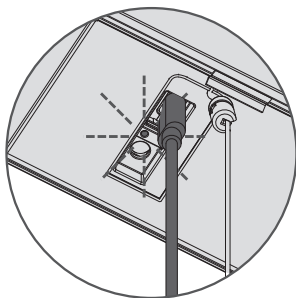


i Recargar la cortina

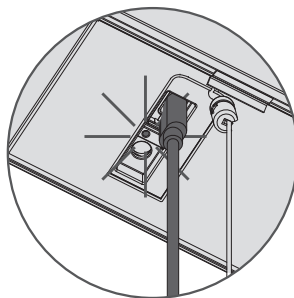
Para cargar la cortina, conéctela a una fuente de alimentación estándar USB-C de 5 V mediante un cable USB-C. Puede ser el adaptador de corriente del smartphone, por ejemplo. Cárgalo al menos una vez al año.



Si la luz parpadea en rojo durante el funcionamiento, cargue la batería



Si la luz está en verde, la batería se está cargando



Si la luz está en verde, la batería está completamente cargada

Instrucciones de seguridad importantes

ADVERTENCIA: Para reducir el riesgo de lesiones graves o la muerte. Es importante para la seguridad de las personas que siga estas instrucciones. Conserve estas instrucciones.

- Lea y siga todas las instrucciones de instalación.
- Este dispositivo puede ser utilizado por niños mayores de 8 años y por personas con capacidades físicas, sensoriales o mentales reducidas o con falta de experiencia y conocimientos siempre que estén bajo supervisión y hayan recibido instrucciones pertinentes sobre el uso del dispositivo de manera segura y comprendan los peligros que conlleva. Los niños no deben jugar con el dispositivo. Los niños no deben realizar tareas de limpieza y mantenimiento sin supervisión.
- No permita que los niños jueguen con los mandos fijos. Mantenga los mandos remotos fuera del alcance de los niños.
- Examine la instalación periódicamente para detectar desajustes y signos de desgaste o daños en cables y muelles. No la utilice si necesita ser ajustada o reparada.
- Este manual de instrucciones también está disponible en la página web.
- La unidad de accionamiento debe desconectarse de su fuente de energía durante la limpieza, el mantenimiento o al reemplazar piezas.
- El nivel de presión acústica de emisión ponderado A de la unidad de accionamiento es igual o inferior a 70dB(A).
- Solo para uso doméstico y en interiores.
- Examine la instalación periódicamente para detectar desajustes y signos de desgaste o daños en cables y muelles. No la utilice si necesita ser ajustada o reparada.
- Desconecte la unidad de accionamiento del suministro eléctrico o apague los controles automáticos cuando se realicen tareas de mantenimiento en las inmediaciones, tales como la limpieza de cristales.
- Cuando se use en el modo de hombre muerto, asegúrese de que otras personas estén lejos.
- No utilice la instalación cuando se realicen tareas de mantenimiento en las inmediaciones, tales como la limpieza de cristales.
- El motor tubular solo debe alimentarse con una tensión baja de protección, según la indicación en el dispositivo.

- La temperatura máxima de funcionamiento del motor es de +55°C. La temperatura máxima de carga del paquete de baterías es de +45°C. Este aparato contiene baterías que no son reemplazables.

- Este dispositivo contiene baterías no reemplazables.

Instrucciones de instalación importantes

ADVERTENCIA: Instrucciones de seguridad importantes. Siga todas las instrucciones, ya que una instalación incorrecta puede provocar lesiones graves.

- Este motor solo puede utilizarse con material suave para las partes accionadas.
- Las piezas móviles, peligrosas y desprotegidas de la unidad de accionamiento deben instalarse a una altura superior a 2,5 m del suelo o en otro nivel que permita acceder a ellas.
- Instale el mecanismo de accionamiento para el desbloqueo manual a una altura inferior a 1,8 m.
- El mecanismo de accionamiento de un dispositivo de hombre muerto debe situarse a escasa distancia de la parte accionada pero alejado de las piezas móviles. Debe instalarse a una altura mínima de 1,5 m y no ser accesible al público.
- La masa y la dimensión de la parte accionada deben ser compatibles con el par de giro nominal y el tiempo de funcionamiento nominal.
- Los mandos fijos deben ser claramente visibles después de su instalación.
- La parte accionada debe ser compatible con el par de giro nominal 6,0 N.m y el tiempo de funcionamiento nominal (12min).
- Diámetro mínimo del tubo: Ø42mm.
- La unidad de accionamiento debe instalarse a una altura de, al menos, 2,5 m del suelo o a otro nivel de acceso.
- La desconexión para todos los polos debe ser incorporada en el cableado fijo, de conformidad con las normas de cableado.

Manual de la FCC | FCC ID: ZY4CM06E IC:28117-CM06E

Información reglamentaria

1 Información de la FCC para el usuario

Este producto no contiene ninguna pieza que el usuario pueda reparar o reemplazar, y solo debe utilizarse con antenas aprobadas. Cualquier cambio o modificación al producto invalidará todas las certificaciones y aprobaciones reglamentarias aplicables.

2 Avisos de emisión electrónica de la FCC

Este dispositivo cumple con el apartado 15 de las Normas de la FCC.

El funcionamiento está sujeto a las dos condiciones siguientes:

1. Este dispositivo no puede causar interferencias perjudiciales.
2. Este dispositivo debe aceptar cualquier interferencia que reciba, incluida aquella que pueda causar un funcionamiento no deseado del dispositivo.

14 3 Declaración de interferencia de radiofrecuencia de la FCC

Este equipo ha sido sometido a las pruebas pertinentes y cumple con los límites establecidos para un dispositivo digital de clase B, conforme al apartado 15 de las Normas de la FCC. Estos límites están diseñados para proporcionar una protección razonable contra interferencias perjudiciales, cuando el equipo funciona en un entorno comercial. Este equipo genera, utiliza y puede irradiar energía de radiofrecuencia y, si no se instala y utiliza conforme a las instrucciones, puede causar interferencias perjudiciales en las comunicaciones de radio.

El funcionamiento de este equipo en un área residencial puede causar interferencias perjudiciales, en cuyo caso el usuario tendrá que corregir la interferencia a su propio coste.

Si este equipo ocasiona interferencias perjudiciales en la recepción de la televisión o radio, lo cual puede determinarse encendiendo y apagando el equipo, se recomienda al usuario que intente corregir

la interferencia, adoptando una o más de las siguientes medidas:

- Reorientar o reubicar la antena de recepción
- Aumentar la separación entre el equipo y el

receptor

- Conectar el equipo a una salida en un circuito diferente al utilizado para la conexión del receptor
- Consultar al distribuidor o a un técnico de radio/TV experimentado para obtener ayuda

Para cumplir con los requisitos de exposición a RF de la FCC / IC debe mantenerse una distancia de separación de 20 cm o más entre la antena de este dispositivo y las personas durante su funcionamiento. Para garantizar el cumplimiento, no se recomienda el funcionamiento a una distancia inferior a la indicada.

Declaración de la UE

Por la presente, Coulisse declara que el tipo de equipo de radio CM-06-E-V cumple la Directiva 2014/53/UE. El texto completo de la declaración de conformidad de la UE está disponible en la siguiente dirección de internet: support.motionblinds.com

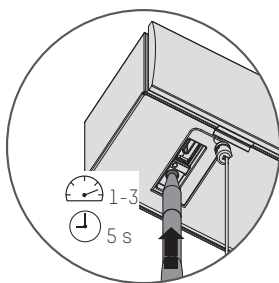
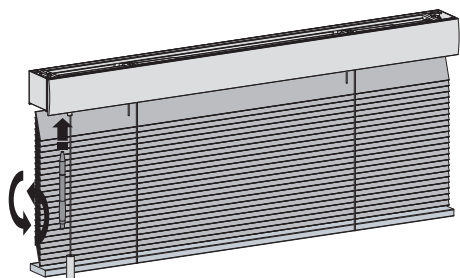
- Gama de frecuencias: 433 MHz, Potencia de RF: 2.32 dBm
- Gama de frecuencias BLE: 2402 - 2480 MHz, Potencia de RF: 3 dBm EIRP
- Gama de frecuencias Thread: 2405 - 2480 MHz, Potencia de RF: < 20 dBm EIRP

ISED-Konformität

Este dispositivo contiene transmisores/receptores exentos de licencia que cumplen con los RSS exentos de licencia de Innovación, Ciencia y Desarrollo Económico de Canadá. El funcionamiento está sujeto a las dos condiciones siguientes: Este dispositivo no puede causar interferencias. Este dispositivo debe aceptar cualquier interferencia, incluyendo las que puedan causar un funcionamiento no deseado del dispositivo.

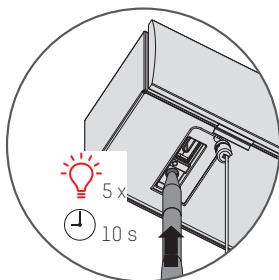
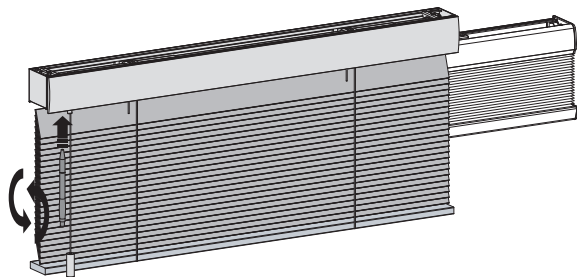
i Cambiar la velocidad del motor / nivel sonoro

⚠ ADVERTENCIA: Asegúrate de que el cable USB-C está retirado. De lo contrario, borrará los límites finales. Mantenga pulsado el botón de programa durante 5 segundos para modificar la velocidad del motor / el nivel sonoro. La cortina sube y baja 1 vez para indicar que la velocidad se ha ajustado a 1 de los 3 niveles. Atención: suelte el botón después de 5 segundos cuando la persiana suba y baje para evitar que se restablezca la conexión.



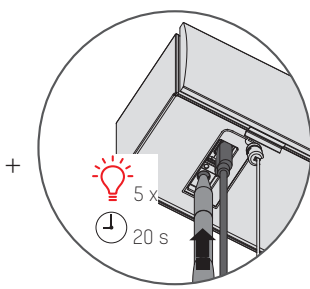
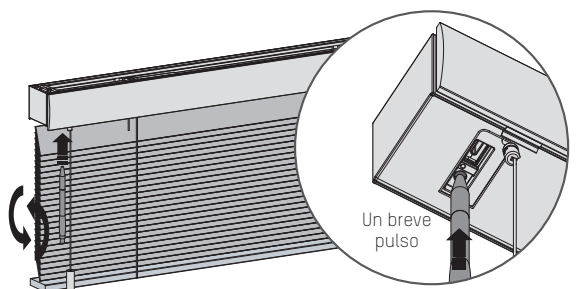
i Restablecer la conexión

⚠ ADVERTENCIA: Asegúrate de que el cable USB-C está retirado. De lo contrario, borrará los límites finales. Mantenga pulsado el botón de programación durante 10 segundos para borrar la conexión entre la cortina y la aplicación. La LED se ilumina 5 veces y la cortina sube y baja 1 vez para indicar que la conexión se ha restablecido. Ahora la cortina puede volver a conectarse.



i Restablecer la cortina

⚠ ADVERTENCIA: Asegúrate de que el cable USB-C está retirado. De lo contrario, borrará los límites finales. Al reiniciar la cortina se borran las posiciones finales y las conexiones de la cortina con las aplicaciones y los mandos a distancia. Pulse brevemente el botón de programación para activar el modo de programación. La cortina comenzará a subir y bajar. Mantenga pulsado el botón de reinicio/programación durante al menos 20 segundos para reiniciar la cortina. La cortina se detendrá dos veces. Después de la segunda parada, la cortina dará un paso más para indicar que se ha restablecido.

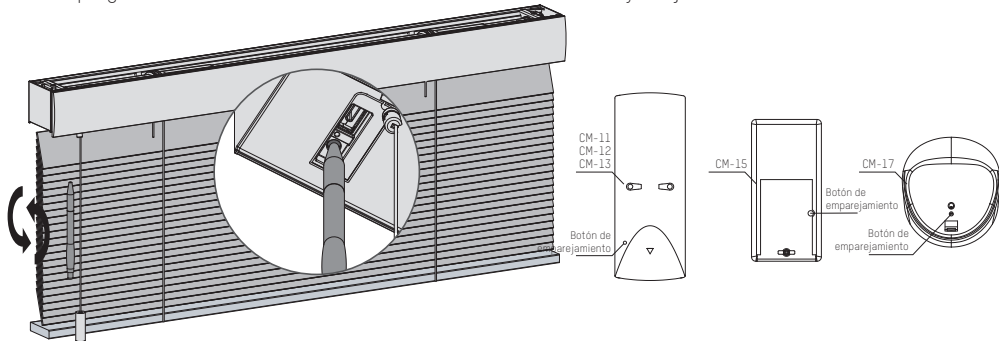


PROGRAMACIÓN REMOTA

1 Emparejar un mando

Cualquier mando de MotionBlinds puede conectarse a la cortina.

- 1 Seleccione un canal en el mando y pulse el botón programar del motor para activar el modo de programación. La cortina comenzará a moverse hacia arriba y abajo.



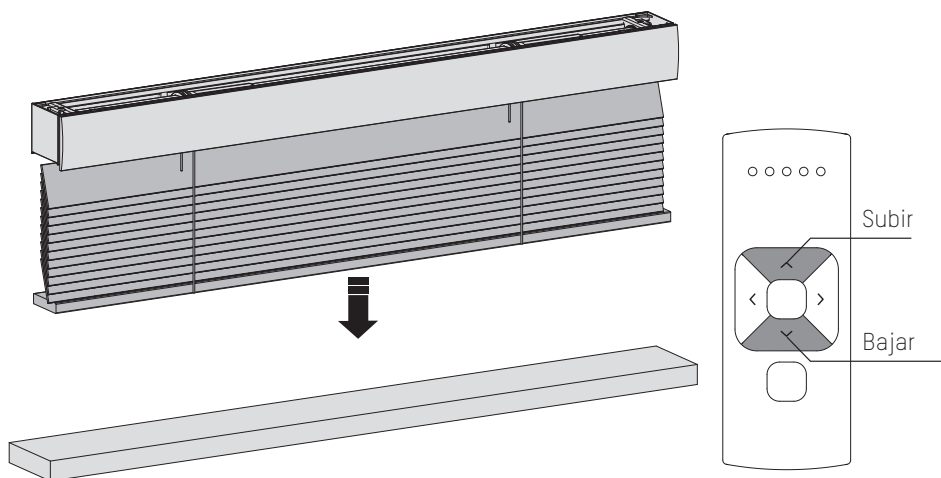
- 2 Pulse el botón de emparejamiento de la parte posterior del mando a distancia para emparejar la cortina con el canal seleccionado. La cortina dejará de moverse brevemente, lo que indica que el mando se ha emparejado con la cortina.
- 3 Pulse brevemente el botón programar para desactivar el modo de programación. La cortina dejará de moverse y puede ser utilizada.

18

2 Compruebe el sentido de rotación

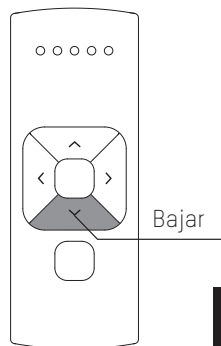
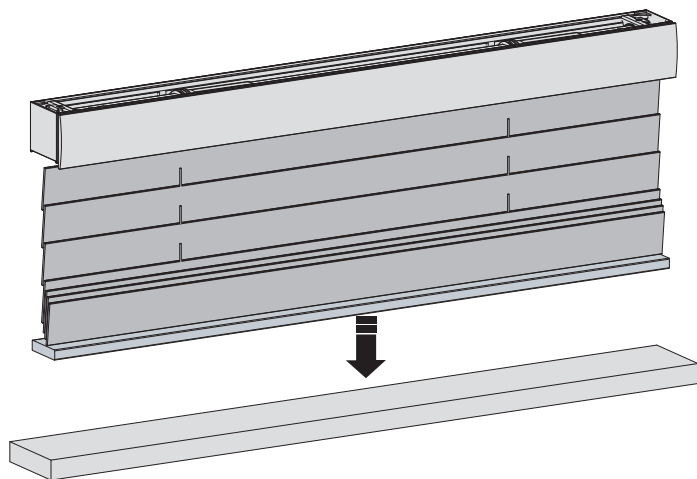
⚠ ADVERTENCIA: riesgo de daños. Detenga la cortina antes de llegar a la posición final.

- 1 Pulse brevemente el botón bajar para comprobar si la cortina se desenrolla de forma correcta. Si la cortina sube, debe cambiar el sentido de rotación.
- 2 Pulse simultáneamente el botón subir y bajar para cambiar el sentido de rotación.



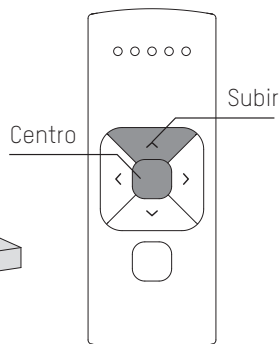
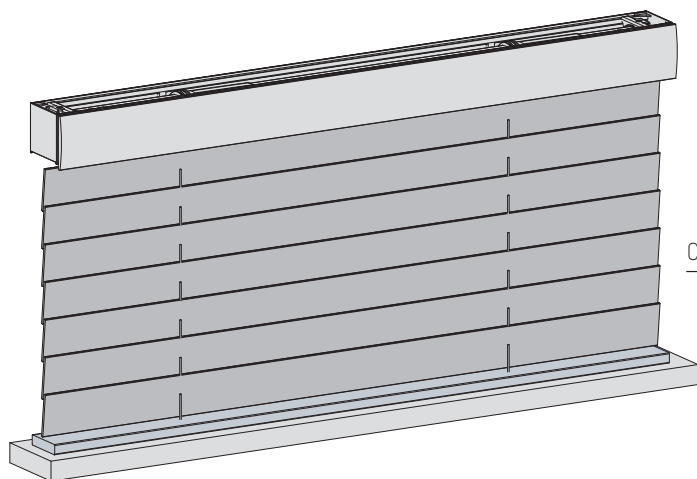
3 Ajustar la posición inferior

Pulse y sostenga el botón bajar hasta que la cortina alcance la posición inferior deseada. **ADVERTENCIA:** riesgo de daños. Acérquese lentamente a la posición inferior.



4 Guardar la posición inferior

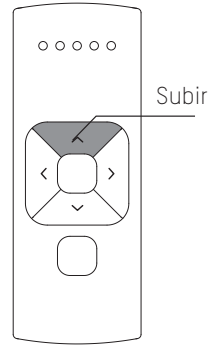
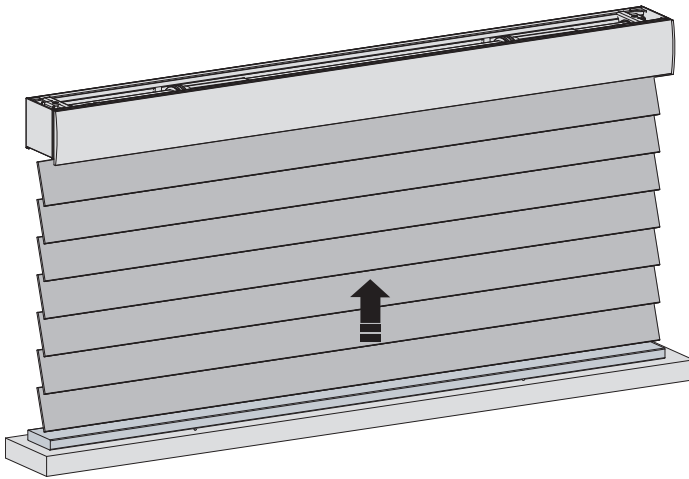
Mantenga pulsado simultáneamente el botón centro y el botón subir hasta que la cortina se detenga y vuelva a moverse de nuevo. La posición inferior se ha guardado.



5 Ajustar la posición superior

Pulse y sostenga el botón subir hasta que la cortina alcance la posición superior deseada.

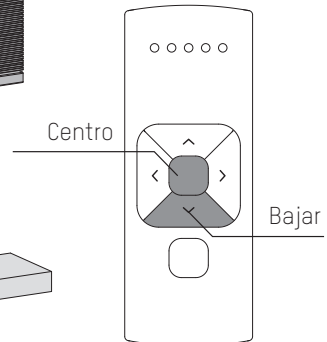
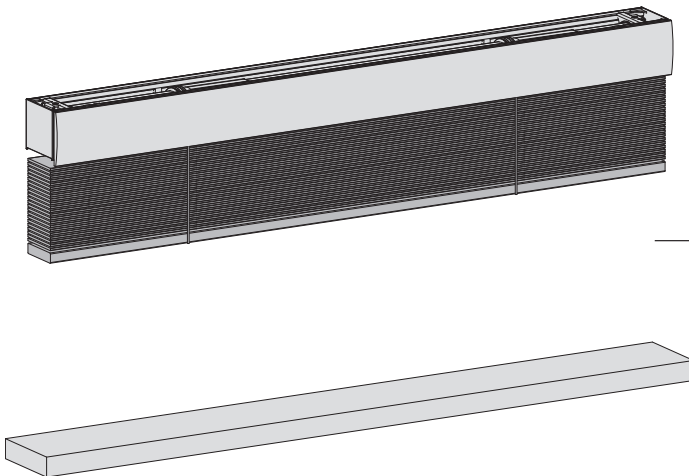
ADVERTENCIA: riesgo de daños. Acérquese lentamente a la posición superior.



20

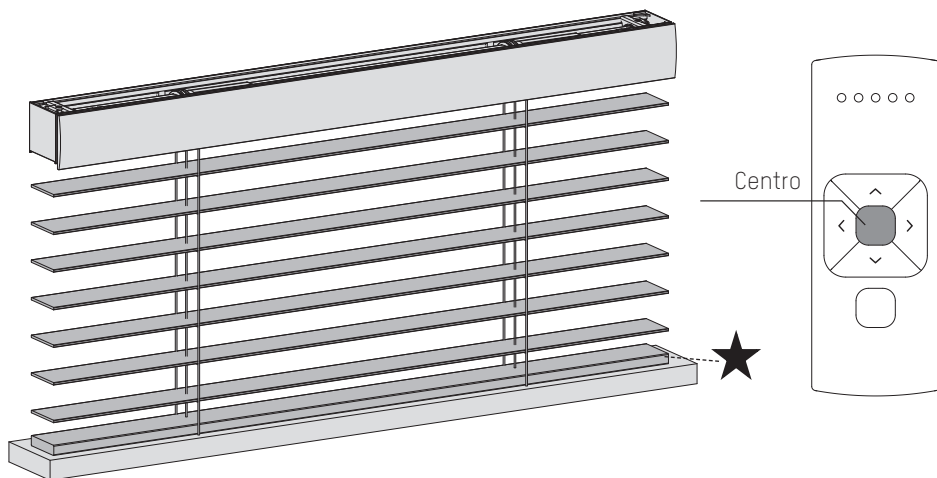
6 Guardar la posición superior

Mantenga pulsado simultáneamente el botón centro y el botón bajar hasta que la cortina se detenga y vuelva a moverse de nuevo. La posición superior se ha guardado.



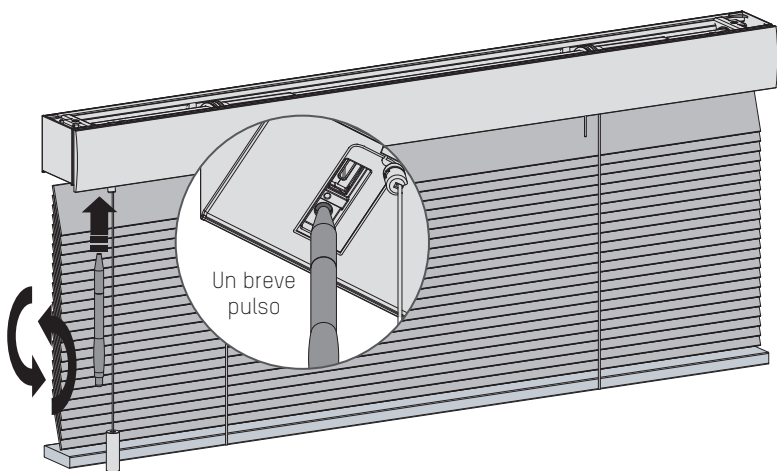
7 Ajustar la posición favorita (opcional).

- 1 Mueva la cortina a la posición favorita deseada.
- 2 Mantenga pulsado el botón centro para guardar esta posición favorita. La cortina se detendrá brevemente para indicar que la posición favorita se ha guardado.



8 Desactivar el modo de programación

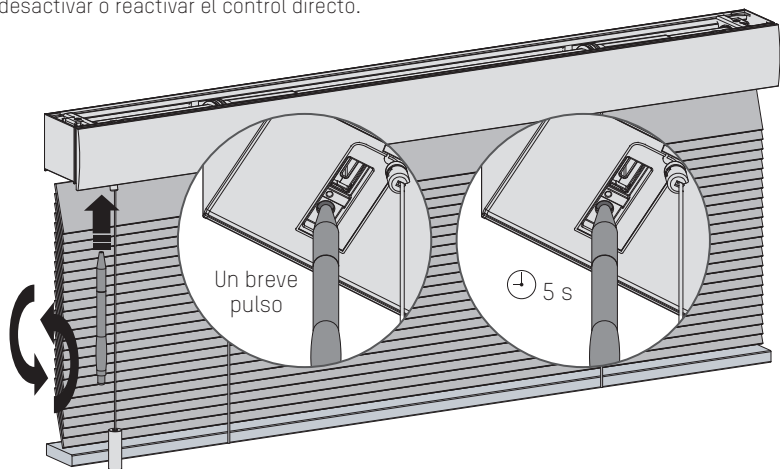
Pulse brevemente el botón programar para desactivar el modo de programación. La cortina dejará de moverse y puede ser utilizada.



i Desactivar el control directo para el mando a distancia (No recomendado para Venetian)

Al pulsar el botón subir o bajar del mando a distancia, la cortina se mueve directamente a las posiciones finales (control directo). Para mover la cortina poco a poco con los botones de subir y bajar, puede desactivar el control directo. Ahora, la cortina solo avanzará directamente a las posiciones finales si mantiene pulsado el botón de subir o bajar durante más de dos segundos.

- 1** Pulse el botón programar del motor para activar el modo de programación. La cortina empezará a moverse.
- 2** Mantenga pulsado el botón programar hasta que la cortina deje de moverse (aprox. 5 segundos) para desactivar o reactivar el control directo.

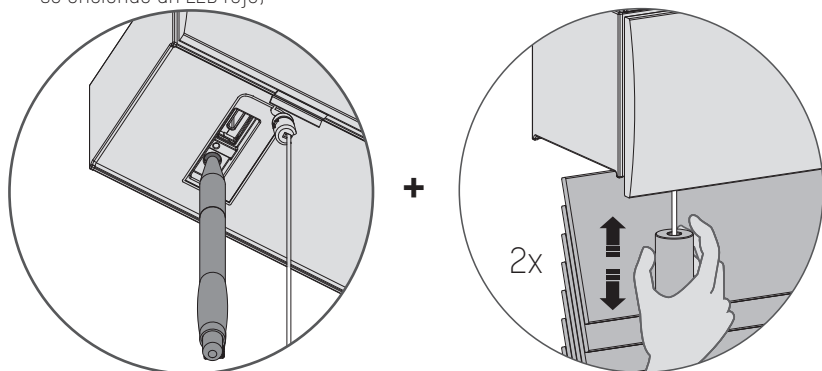


PREGUNTAS FRECUENTES

i Activar / desactivar el motor (modo de transporte)

Para evitar que la cortina se dañe, el motor dispone de un modo de transporte que asegura que la cortina no se active antes de la instalación.

- 1** Mantenga el botón de programación pulsado y tire dos veces del contrapeso para activar o desactivar el motor. (Cuando el motor está activado se enciende un LED verde. Cuando el motor está desactivado se enciende un LED rojo)

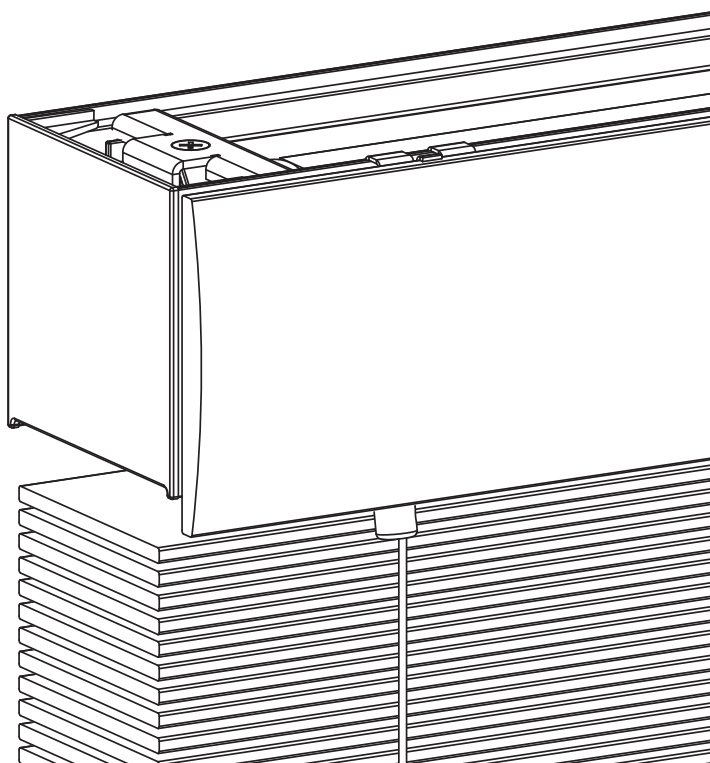


Problema	Causa	Solución
La cortina no funciona.	El motor está en el modo de transporte.	Active el motor. Consulte la página 4/28.
	La batería del motor está vacía.	Cargue el motor. Consulte la página 12.
	Las pilas del mando están vacías. (Las luces del mando parpadean rápidamente)	Reemplace las pilas del mando. Consulte el manual del mando.
	Las pilas del mando se han colocado incorrectamente.	Reemplace las pilas del mando. Consulte el manual del mando.
	Interferencias de radiofrecuencias	Compruebe que la antena del motor esté fuera del alcance de objetos metálicos.
	La distancia entre el teléfono/puente/mando y el motor es demasiado grande.	Acérquese al motor.
El mando no está conectado a la cortina.	Empareje el mando con el motor. Consulte la página 18.	
La luz del motor parpadea en rojo.	La batería del motor está vacía.	Cargue el motor. Consulte la página 12.
La cortina no se carga.	El cargador no está enchufado o no funciona.	Pruebe con un cargador diferente o compruebe que el cargador esté enchufado en la toma de corriente.
Varias cortinas responden a un mando. (No se puede programar solo una cortina)	Varias cortinas están conectadas a un solo canal.	Empareje la cortina con un canal libre o utilice la selección individual para programarla.
La cortina se mueve paso a paso.	1) No se han programado posiciones finales. 2) El control directo está desactivado.	1) Programe posiciones finales. Consulte la página 6-7, 18-20. 2) Active el control directo. Consulte la página 22.
No se puede programar la posición favorita.	No se han programado posiciones finales.	Programa posiciones finales. Consulte la página 6-7, 18-20.
La cortina baja demasiado.	Las posiciones finales se han programado mal.	Vuelva a programar las posiciones finales. Consulte el paso 6-7, 18-20.
La cortina se mueve en la dirección opuesta.	El sentido de rotación se ha configurado mal.	Cambie el sentido de rotación. Consulte la página 11, 18.
La cortina no para de moverse hacia arriba y abajo.	La cortina está en el modo de programación.	Pulse el botón programar del motor para salir del modo de programación.
La cortina no se conecta a la red Thread.	La conexión de la cortina no es estable.	1) Encienda el Bluetooth 2) Desactive el motor y vuelva a activarlo e intente conectarse de nuevo. Consulte la página 28 3) Cierre la aplicación y vuelva a conectarse con su motor.

Instrukcja obsługi

Roleta Wenecka

Silnik CM-06-E-V



OSTRZEŻENIE

Prosimy dokładnie przeczytać instrukcję przed zamontowaniem i użytkowaniem produktu. Montaż może być wykonywany przez osoby nieposiadające uprawnień zawodowych. Wyłącznie do użytku wewnątrz pomieszczeń.

- Sznurki, łańcuszki i taśmy będące elementem składowym rolety stanowią zagrożenie dla dzieci. Ryzyko uduszenia.
- Aby uniknąć zagrożenia, trzymaj sznurki poza zasięgiem dzieci.
- Sznurki mogą owinąć się wokół szyi dziecka.
- Należy odsunąć łóżka, kojce i meble od sznurków przestron okiennych.
- Nie związuj sznurków.
- Upewnij się, że sznurki nie splączą się formując pętlę.



Czyszczenie

Podczas czyszczenia urządzenia należy przestrzegać następujących reguł:

- Używaj wilgotnej, miękkiej szmatki, Nie dopuszczaj do zawilgocenia lub zmożenia otworów.
- Nie używaj aerozoli, rozpuszczalników, alkoholi oraz materiałów ściernych.

Pomoc techniczna

Nie naprawiaj samodzielnie. Nie próbuj otwierać urządzenia lub go rozmontowywać. Grozi porażeniem prądem i utratą gwarancji. Brak części przeznaczonych do samodzielnego serwisowania.

Serwis gwarancyjny

Proszę postępować zgodnie z instrukcją. Jeżeli produkt wydaje się być uszkodzony lub nie działa prawidłowo, skontaktuj się ze swoim sprzedawcą, aby rozpocząć procedurę reklamacyjną.

Recykling

Zgodnie z etykietą, tego produktu nie należy wyrzucać razem z innymi odpadami z gospodarstw domowych w całej UE. Aby zapobiec możliwym szkodom dla środowiska lub zdrowia ludzkiego spowodowanym niekontrolowanym usuwaniem odpadów, poddaj je recyklingowi w celu promowania zrównoważonego ponownego wykorzystania zasobów. Aby zwrócić zużyte urządzenie, skorzystaj z systemów zwrotu i odbioru lub skontaktuj się ze sprzedawcą, u którego produkt został zakupiony. Pomoże Ci zabrać ten produkt do bezpiecznego dla środowiska recyklingu.

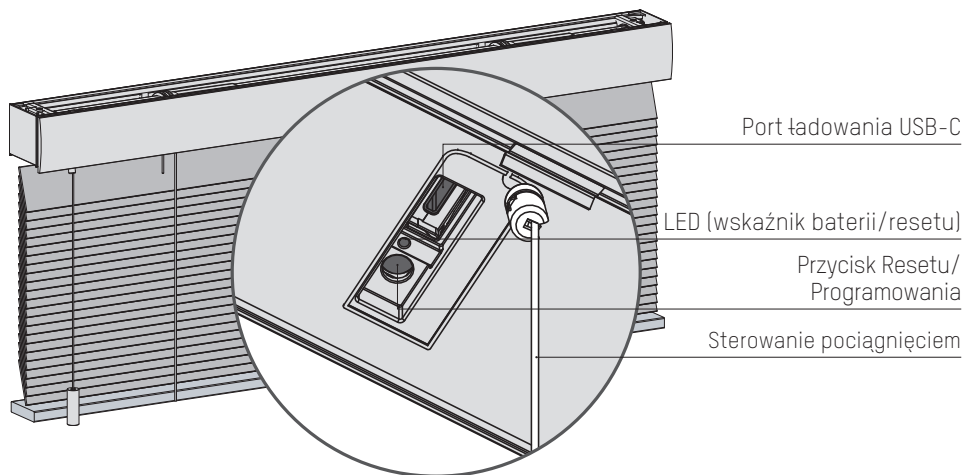


IP 20



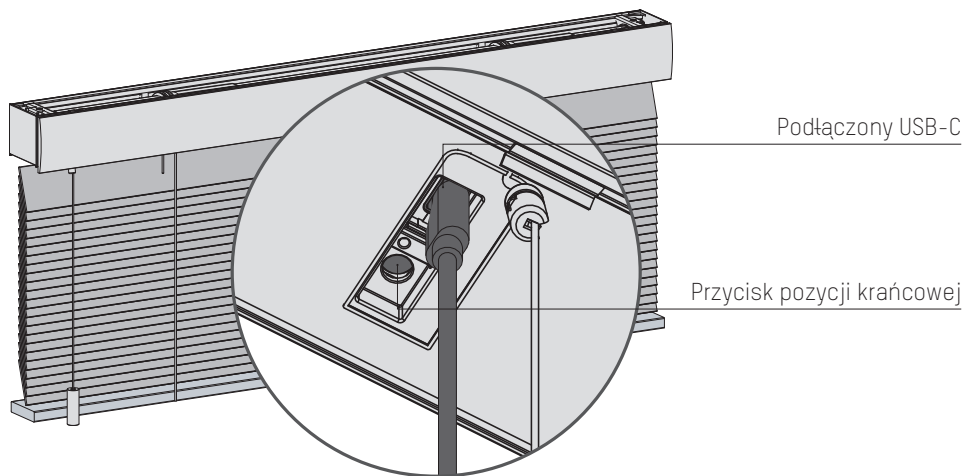
Conforms to
UL Std. 325
Certified to
CSA Std. C22.2#247

i Przyciski i funkcje



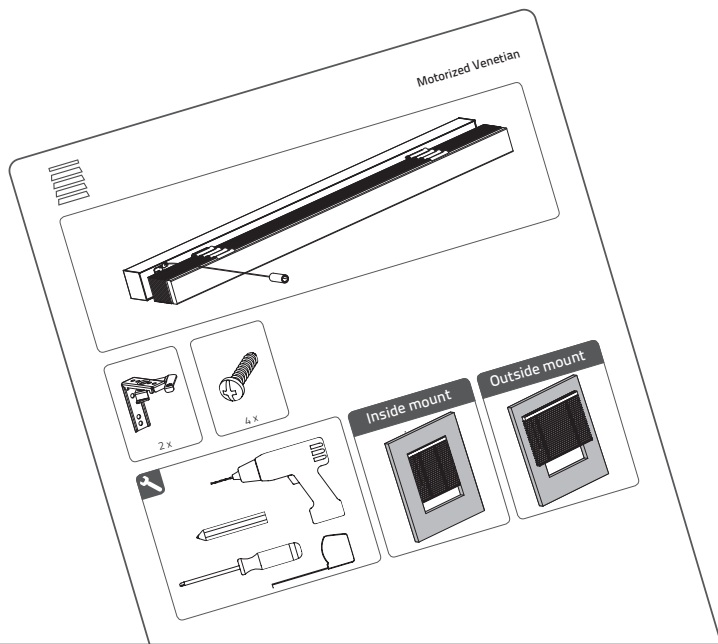
i Tryby programów

Gdy kabel USB-C jest podłączony i zasilany, funkcje przycisku resetowania/programowania zmieniają się automatycznie, umożliwiając ustawienie pozycji końcowych za pomocą tego przycisku. Dopóki kabel USB-C jest podłączony i zasilany, domyślne funkcje resetowania/programowania nie mogą być używane.



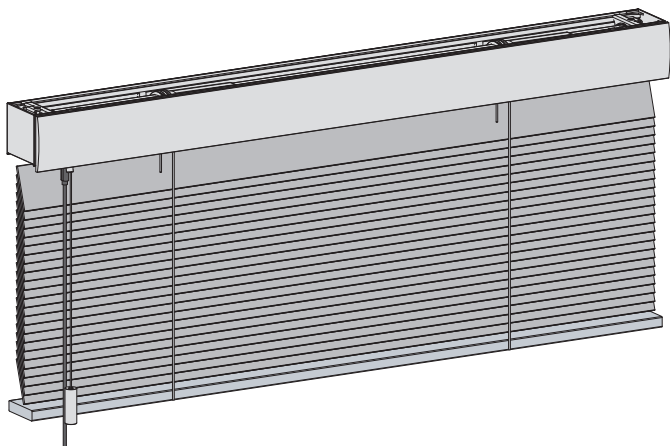
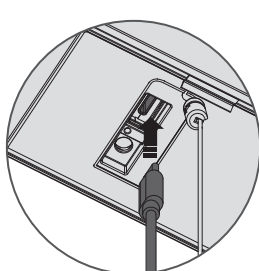
1 Instalowanie rolety

Aby zainstalować roletę, należy postępować zgodnie z instrukcją montażu.



2 Aktywowanie rolety

Aby aktywować roletę, należy podłączyć ją do standardowego źródła zasilania USB-C 5V za pomocą kabla USB-C. Może to być na przykład zasilacz smartfona.



3 Dodaj Eve MotionBlinds do swojej platformy

Dodaj Eve MotionBlinds do wybranej platformy i upewnij się, że masz kompatybilny router Thread Border.

Więcej informacji: motionblinds.com/eve/matter

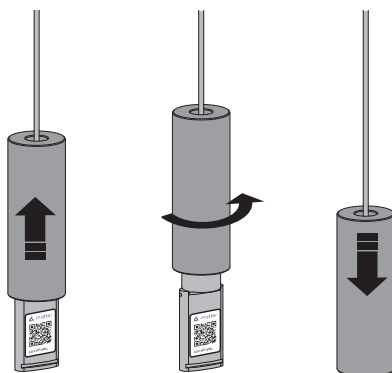


4 Konfiguracja przesyłny

Teraz możesz łatwo dodać Eve MotionBlinds do swojego inteligentnego domu w zaledwie kilku krokach, skanując kod konfiguracji Matter za pomocą aplikacji swojej ulubionej platformy. Zeskanuj kod konfiguracji Matter, aby dodać go do swojej platformy.

Aby rolety Eve motionblinds działały prawidłowo, muszą mieć zaprogramowane pozycje krańcowe. Pozycje krańcowe można zaprogramować na 2 sposoby. W aplikacji Eve lub za pomocą przycisku programowania położenia krańcowych na rolecie. [Krok 5]

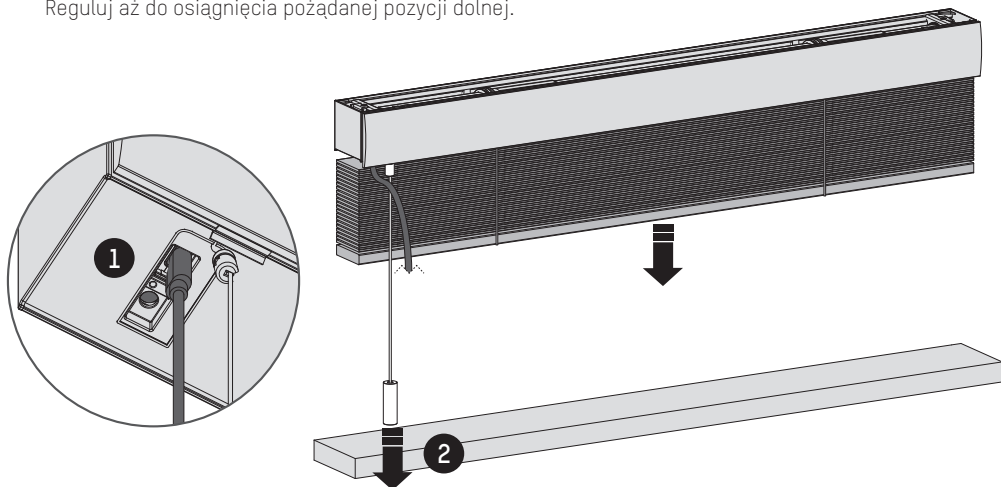
Po zeskanowaniu można ukryć kod konfiguracji.



5 Ustawianie pozycji końcowych

Oprócz ustawiania pozycji końcowych za pomocą aplikacji można je ustawiać, naciskając przycisk na silniku. 1: Aby wejść w tryb programowania, upewnij się, że kabel USB-C jest podłączony i zasilany (patrz strona 3). 2: Pociągnij i przytrzymaj łańcuszek, aż przesłona znajdzie się w dolnym położeniu. Jeśli przesłona porusza się w przeciwnym kierunku, zwolnij łańcuszek, pociągnij i przytrzymaj ponownie.

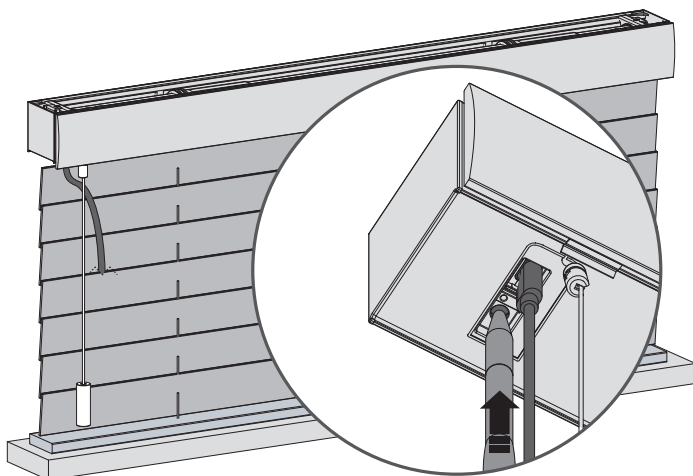
Reguluj aż do osiągnięcia pożądanej pozycji dolnej.



6

6 Zapisywanie dolnej pozycji końcowej

Kiedy przesłona znajdzie się w dolnej pozycji, przytrzymaj przycisk, aż przesłona poruszy w górę i w dół, aby zapisać dolną pozycję.

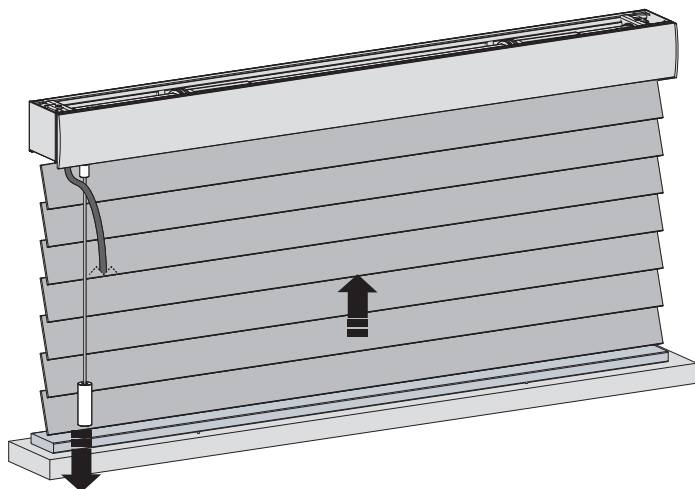


7 Ustawienie przestony w górnej pozycji końcowej

Pociągnij i przytrzymaj łańcuszek, aż przestona osiągnie górną pozycję końcową.

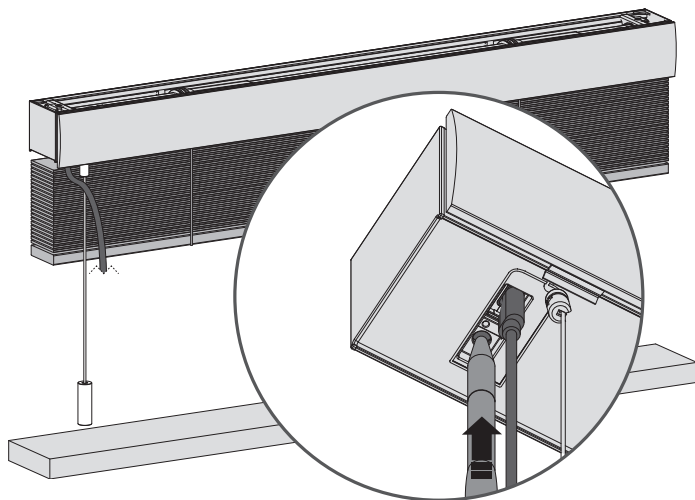
OSTRZEŻENIE: ryzyko uszkodzenia. Powoli zbliżyć się do górnej pozycji. Jeśli przestona porusza się w przeciwnym kierunku, zwolnij łańcuszek, pociągnij i przytrzymaj ponownie.

Reguluj aż do osiągnięcia pożądanej pozycji górnej.



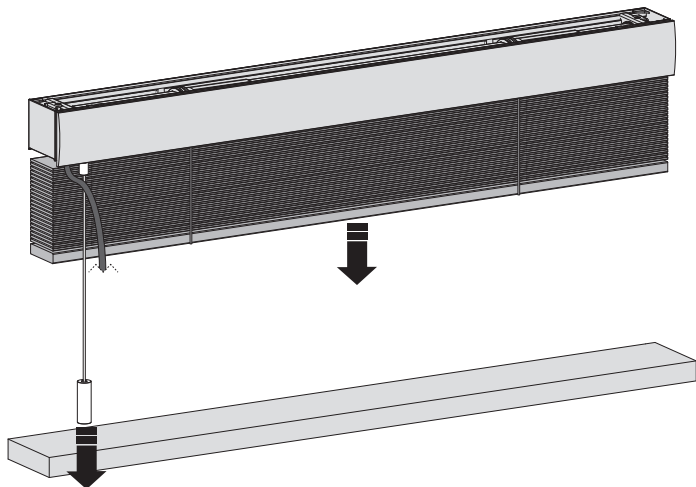
8 Zapisywanie górnej pozycji końcowej

Kiedy przestona znajdzie się w górnej pozycji, przytrzymaj przycisk, aż przestona poruszy się w górę i w dół, aby zapisać górną pozycję.



9 Dostosowywanie pozycji końcowych

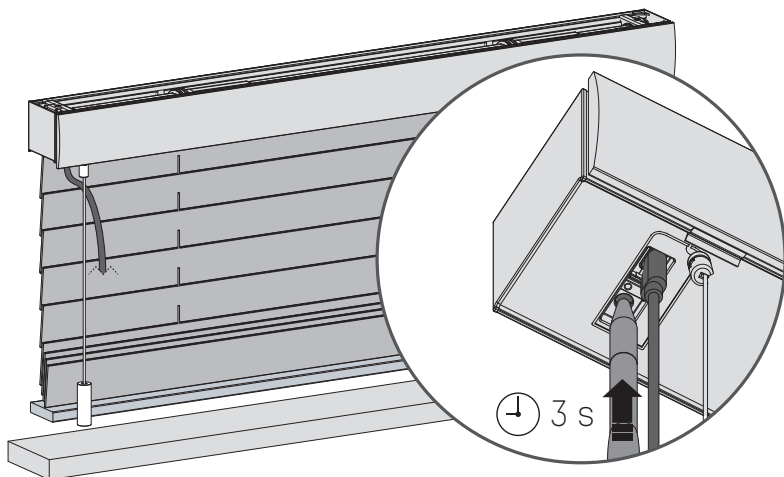
Aby wyregulować jedną z pozycji końcowych, należy umieścić przestonę w pozycji końcowej, którą chcesz wyregulować pociągnij i poczekaj aż przestona osiągnie pozycję końcową, którą chcesz wyregulować.



8

10 Usuwanie pozycji końcowej (dolnej/górnej)

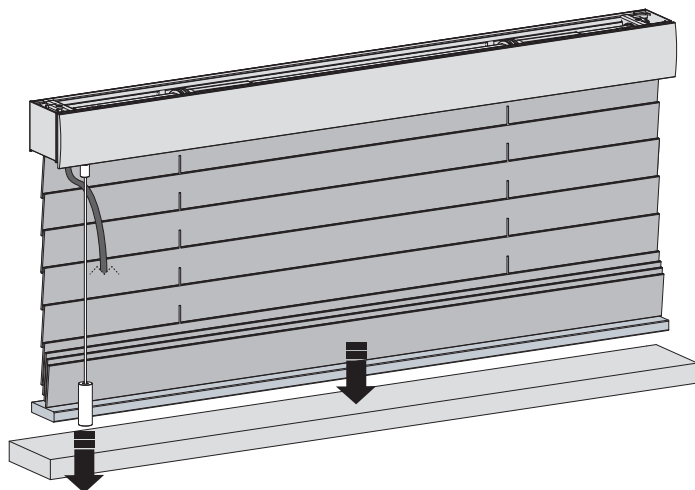
Przytrzymaj przycisk programowania pozycji końcowej przez 3 sekundy, aby usunąć swoją pozycję (dolną/ górną). Przestona podniesie się i opuści raz, aby potwierdzić, że twoja pozycja końcowa została usunięta. Można teraz ustawić nową pozycję (dolną/ górną).



11 Ustawianie nowej pozycji dolnej

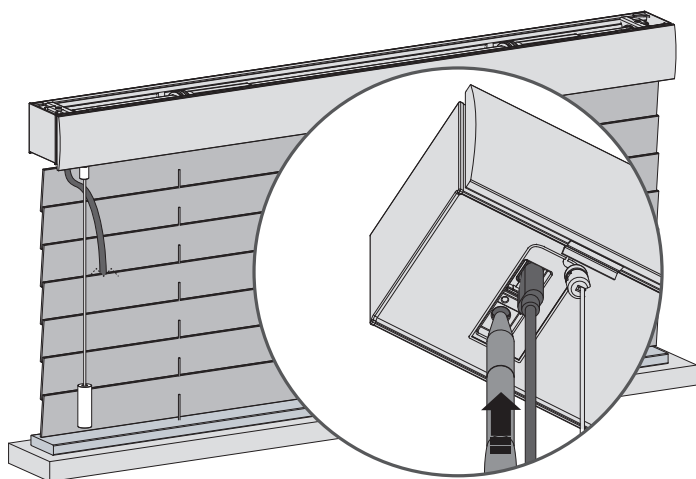
Pociągnij i przytrzymaj łańcuszek, aż przestona znajdzie się w dolnym położeniu. Jeśli przestona porusza się w przeciwnym kierunku, zwolnij łańcuszek, pociągnij przytrzymaj ponownie.

Reguluj aż do osiągnięcia pożądanego położenia dolnego.



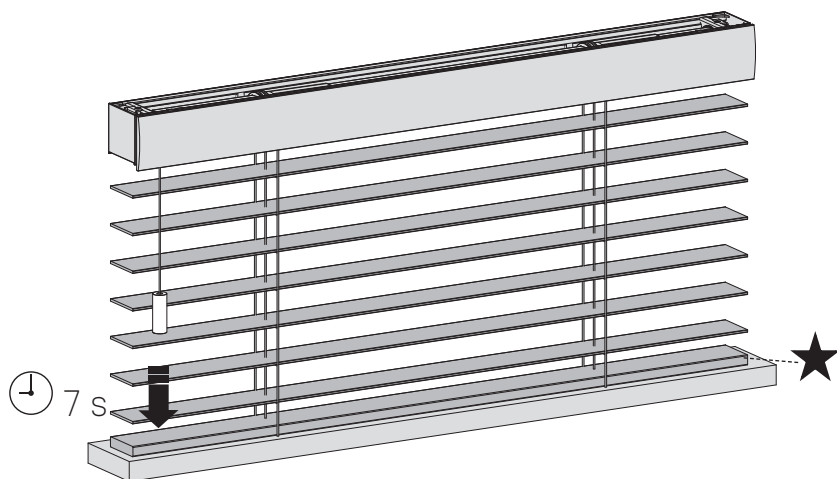
12 Zapisywanie swojej (dolnej) pozycji

Kiedy przestona znajdzie się w dolnej pozycji, przytrzymaj przycisk, aż przestona poruszy się w górę i w dół, aby zapisać dolną pozycję.



13 Zapisywanie pozycji ulubionej

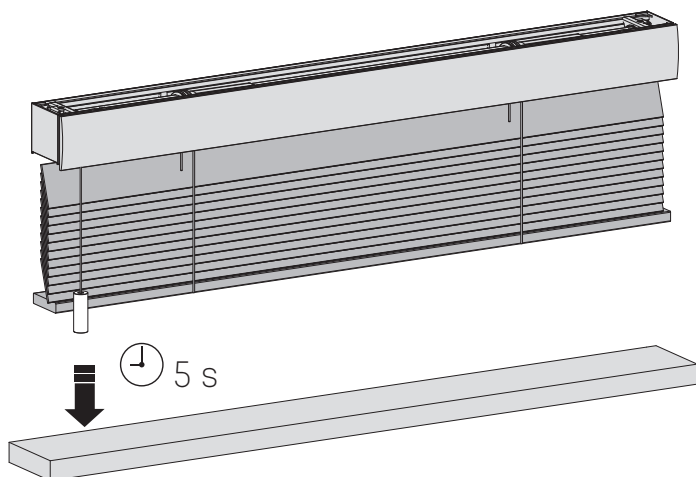
Gdy ulubione pozycja nie jest zaprogramowana, należy ustawić przesłonę w ulubionej pozycji. Kiedy przesłona znajdzie się w ulubionej pozycji, przytrzymaj przycisk, aż przesłona poruszy się w górę i w dół (około 7 sekund)



10

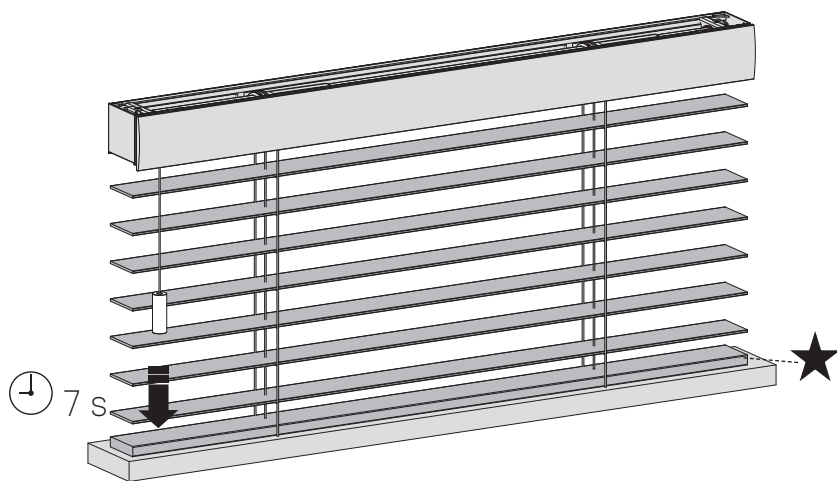
14 Ustawienie przesłony w ulubionej pozycji

Gdy przesłona nie jest ustawiona w ulubionej pozycji, przytrzymaj przycisk przez 5 sekund, a przesłona przesunie się do ulubionej pozycji.



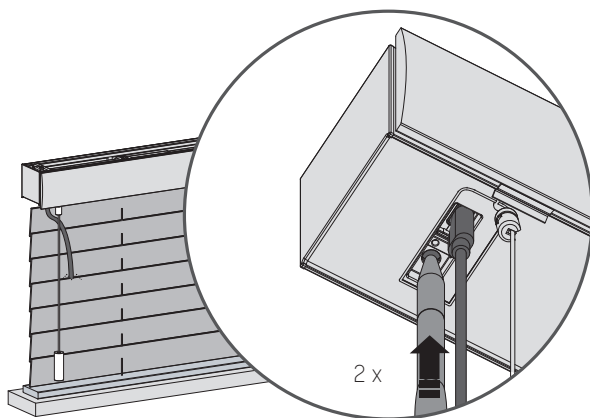
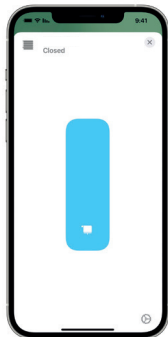
15 Zapisywanie nowej ulubionej pozycji

Aby usunąć poprzednią ulubioną pozycję należy umieścić przesłonę w aktualnej ulubionej pozycji. (Krok 14) Następnie pociągnij i przytrzymaj, aż przesłona poruszy się w górę i w dół. (Około 7 sekund) Ulubiona pozycja jest teraz usunięta. Wykonaj krok 13, aby ustawić nową ulubioną pozycję.



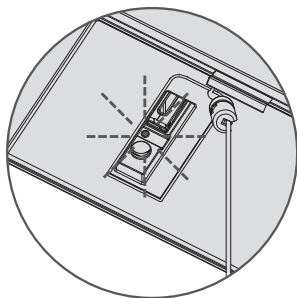
i Zmiana kierunku sterowania

Jeśli pozycja przesłony w aplikacji jest przeciwna do twojej przesłony, zmień kierunek sterowania, naciskając przycisk Pozycja końcowa dwa razy w ciągu jednej sekundy.

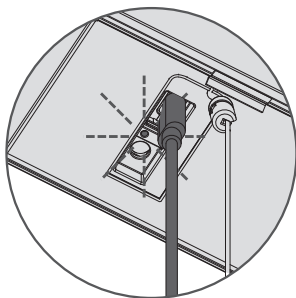


i Ładowanie przestony

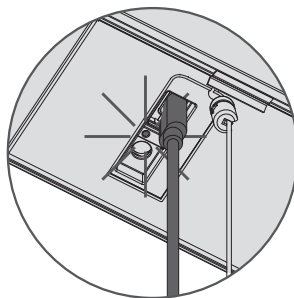
Aby naładować przestonę, należy podłączyć ją do standardowego źródła zasilania USB-C 5V za pomocą kabla USB-C. Może to być na przykład zasilacz smartfona. Ładuj co najmniej raz w roku.



Podczas pracy dioda LED
miga na czerwono;
naładować baterię



Dioda LED miga na
zielono;
ładowanie baterii



Dioda LED świeci ciągle
na zielono; bateria w
pełni naładowana

Ważne instrukcje dotyczące bezpieczeństwa

OSTRZEŻENIE: Aby zmniejszyć ryzyko odniesienia poważnych obrażeń lub śmierci, ważne jest, aby postępować zgodnie z poniższymi instrukcjami.

- Przeczytaj i zastosuj się do wszystkich wskazówek dotyczących instalacji.
- To urządzenie może być używane przez dzieci w wieku 8 lat i powyżej, osoby nie w pełni sprawne fizycznie lub umysłowo, bądź osoby niedoświadczone, gdy użytkowanie odbywa się pod nadzorem lub też użytkownicy zostali zapoznani z instrukcją bezpiecznego użytkowania produktu i rozumieją związane z tym zagrożenia. Dzieci nie powinny bawić się urządzeniem. Czyszczenie i konserwacja urządzenia nie powinny być wykonywane przez dzieci pozbawione nadzoru.
- Nie pozwalaj dzieciom bawić się elementami sterującymi. Piloty również należy trzymać z dala od dzieci.
- Często sprawdzaj stan urządzenia oraz zwracaj uwagę na oznaki zużycia lub uszkodzenia kabli i sprężyn. Nie używaj produktu, jeśli niezbędna jest jego naprawa lub regulacja.
- Ta instrukcja obsługi jest również dostępna na stronie internetowej.
- Napęd powinien zostać odłączony od źródła zasilania na czas czyszczenia, konserwacji bądź wymiany części.
- Poziom hałasu emitowanego przez urządzenie jest równy lub mniejszy niż 70 dB (A).
- Tylko do użytku domowego.
- Odłącz napęd od źródła zasilania lub wyłącz automatyczne sterowanie podczas konserwacji, bądź mycia okien.
- Podczas obsługi przełącznika upewnij się, że inne osoby znajdują się z dala od urządzenia.
- Nie używaj urządzenia podczas konserwacji, np. gdy w pobliżu czyszczone są okna.
- Silnik rurowy może być dostarczany tylko z zabezpieczeniem bardzo niskiego napięcia odpowiadającego oznaczeniu na urządzeniu.
- Maksymalna temperatura pracy silnika wynosi +55°C. Maksymalna temperatura ładowania akumulatora wynosi +45°C.
- Urządzenie zawiera baterie, których nie można wymieniać.

Ważne instrukcje dotyczące instalacji

OSTRZEŻENIE: Ważne instrukcje bezpieczeństwa. Stosuj się do instrukcji, ponieważ niewłaściwa instalacja może prowadzić do ciężkich urazów.

- Silnik ten może być używany tylko z miękkim materiałem części napędzanych.
- Niebezpieczne, niezabezpieczone ruchome części napędu powinny być zainstalowane powyżej 2,5 m od podłogi lub innej poziomej powierzchni, która mogłaby zapewnić dostęp do urządzenia.
- Zainstaluj zwalnianie ręczne na wysokości mniejszej niż 1,8 m.
- Element uruchamiający przełącznik powinien znajdować się w bezpośrednim zasięgu części napędzanej, ale z dala od ruchomych części. Powinien być zainstalowany na wysokości minimum 1,5 m i być niedostępny dla ogółu.
- Masa i wymiar napędu muszą być kompatybilne z momentem obrotowym i czasem pracy.
- Naprawione kontrolki muszą być wyraźnie widoczne po instalacji.
- Napęd musi być zgodny z momentem obrotowym 6.0N.m i czasem pracy (12 min).
- Minimalna średnica rury: $\varnothing 42$ mm.
- Napęd jest przeznaczony do montażu na wysokości co najmniej 2,5 m nad podłogą lub jakąkolwiek inną dostępną powierzchnią poziomą.
- Wszystkie bezpieczniki muszą być wbudowane na stałe w okablowanie zgodnie z obowiązującymi zasadami.
- Urządzenie to może być zasilane wyłącznie bezpiecznym, bardzo niskim napięciem, odpowiadającym oznaczeniom na urządzeniu.
- Przed zainstalowaniem napędu, usuń niepotrzebne przewody i komponenty.

Instrukcja FCC FCC ID: ZY4CM06E IC:28117-CM06E

Informacje dotyczące przepisów

1 Informacja dla Użytkownika FCC

Ten produkt nie zawiera żadnych elementów, które mogą być naprawiane przez użytkownika samodzielnie i powinien być używany tylko z licencjonowanymi antenami. Wszelkie samodzielnie dokonywane zmiany lub modyfikacje produktu unieważnią wszystkie obowiązujące certyfikaty i zezwolenia.

2 FCC – uwagi dotyczące emisji

To urządzenie działa zgodnie z regulacjami części 15 przepisów FCC. Sterowanie tego urządzenia spełnia warunki:

(1) Urządzenie to nie wywiera szkodliwego wpływu na środowisko

(2) urządzenie to rejestruje wszelkie odbierane zakłócenia, w tym zakłócenia, które mogą powodować niepożądane działanie

3 Oświadczenie FCC dotyczące zakłóceń częstotliwości radiowych

14 Niniejsze urządzenie zostało przetestowane i uznane za zgodne z ograniczeniami określonymi dla urządzeń cyfrowych klasy B, zgodnie z częścią 15 przepisów FCC. Ograniczenia te mają na celu zapewnienie rozsądnej ochrony przed szkodliwymi zakłóceniami podczas pracy urządzenia w środowisku komercyjnym. Sprzęt ten generuje, użykuje i może emitować energię o częstotliwości radiowej, a jeśli nie jest zainstalowany i używany zgodnie z instrukcjami, może powodować zakłócenia komunikacji radiowej. Działanie tego sprzętu w obszarze mieszkalnym może powodować zakłócenia, w którym to przypadku użytkownik będzie musiał skorygować zakłócenia na własny koszt. Jeśli sprzęt ten powoduje zakłócenia w odbiorze radiowym i telewizyjnym, co można stwierdzić, wyłączając i włączając urządzenie, użytkownik jest zachęcany do próby usunięcia zakłóceń za pomocą jednego z następujących środków:

- zmienić orientację lub lokalizację anteny odbiorczej
- zwiększyć odległość dzielącą sprzęt i odbiornik
- podłączyć urządzenie do gniazda w obwodzie innym niż ten, do którego podłączony jest odbiornik
- skonsultować się ze sprzedawcą lub doświadczonym technikiem radiowo-telewizyjnym w celu uzyskania pomocy

Aby spełnić wymagania FCC / IC dotyczące narażenia na częstotliwości radiowe, należy zachować odległość 20 cm lub więcej między anteną tego urządzenia a osobami podczas pracy urządzenia. między anteną tego urządzenia a osobami podczas pracy urządzenia. Aby zapewnić zgodność z przepisami, nie zaleca się używania urządzenia bliżej niż w tej odległości.

Deklaracja UE

Niniejszym Coulisse oświadcza, że urządzenie radiowe typu CM-06-E-V jest zgodne z dyrektywą 2014/53/UE. Pełny tekst deklaracji zgodności UE dostępny jest na stronie support.motionblinds.com

- Zakres częstotliwości: 433 MHz, moc RF: 2,32 dBm
- Zakres częstotliwości BLE: 2402 - 2480 Hz, Moc RF: 3 dBm EIRP
- Zakres częstotliwości Thread: 2405 - 2480 MHz, Moc RF: < 20 dBm EIRP

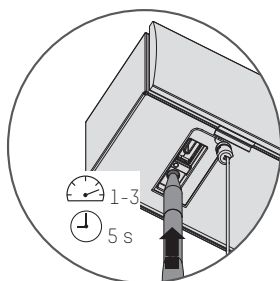
Zgodność z ISED

To urządzenie zawiera zwolnione z licencji nadajnik(i)/odbiornik(i), które są zgodne z RSS(i) zwolnionymi z licencji Kanady ds. innowacji, nauki i rozwoju gospodarczego. Działanie urządzenia jest uzależnione od spełnienia dwóch poniższych warunków: To urządzenie nie może powodować zakłóceń. To urządzenie musi przyjmować wszelkie zakłócenia, w tym zakłócenia, które mogą powodować niepożądane działanie urządzenia.

i Zmiana prędkości silnika / poziomu dźwięku

⚠ OSTRZEŻENIE: Upewnij się, że kabel USB-C jest odłączony. W przeciwnym razie zostaną usunięte ograniczenia końcowe.

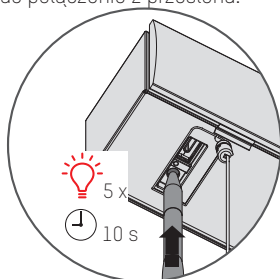
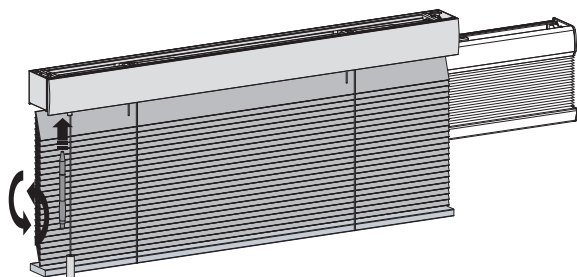
Przytrzymaj przycisk programu przez 5 sekund, aby zmienić prędkość silnika / poziom dźwięku. Przesłona wykona 1 krok w górę i w dół, aby wskazać, że prędkość została ustawiona na 1 z 3 poziomów. Ostrzeżenie: zwolnij przycisk po 5 sekundach, gdy żaluzja porusza się w górę i w dół, aby uniknąć zresetowania połączenia.



i Resetowanie połączenia

⚠ OSTRZEŻENIE: Upewnij się, że kabel USB-C jest odłączony. W przeciwnym razie zostaną usunięte ograniczenia końcowe.

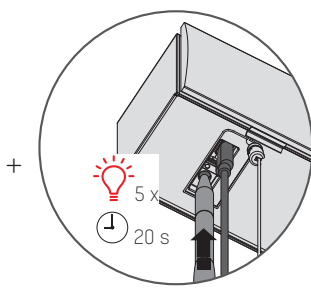
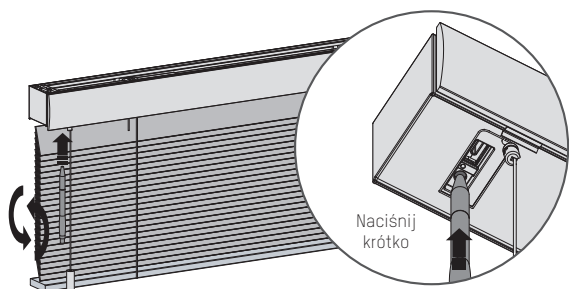
Przytrzymaj przycisk programowania przez 10 sekund, aby usunąć połączenie między przesłoną a aplikacją. Dioda LED zaświeci się 5 razy, a przesłona wykona ruch w górę i w dół, aby zasygnalizować, że połączenie zostało zresetowane. Teraz można ponownie nawiązać połączenie z przesłoną.



i Resetowanie przesłony

⚠ OSTRZEŻENIE: Upewnij się, że kabel USB-C jest odłączony. W przeciwnym razie zostaną usunięte ograniczenia końcowe.

Zresetowanie przesłony powoduje usunięcie pozycji końcowych i połączeń plisy z aplikacjami i pilotami. Naciśnij krótko przycisk programowania, aby włączyć tryb programowania. Plisa zacznie podnosić się i opuszczać. Przytrzymaj przycisk resetowania/programowania przez co najmniej 20 sekund, aby zresetować przesłonę. Plisa zatrzyma się dwukrotnie. Po drugim zatrzymaniu, wykona jeden dodatkowy ruch, co oznacza, że została zresetowana.

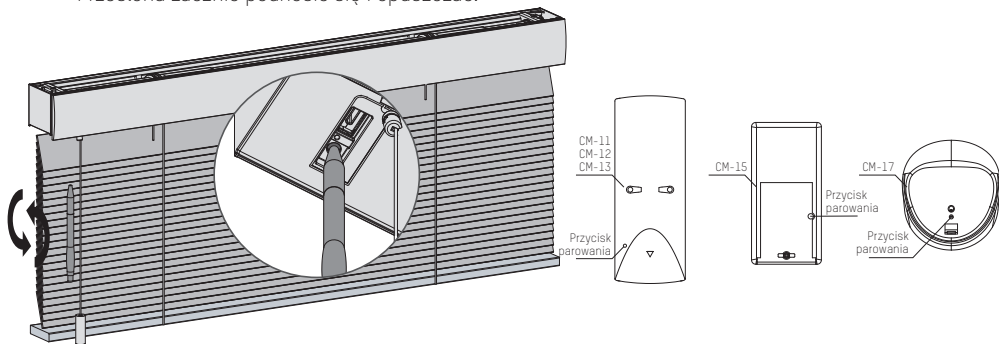


PROGRAMOWANIE ZA POMOCĄ PILOTA

1 Parowanie pilota

Każdy pilot MotionBlinds może być podłączony do danej przestony.

- 1 Wybierz kanał na pilocie i naciśnij przycisk programowania na silniku, aby włączyć tryb programowania. Przesłona zacznie podnosić się i opuszczać.



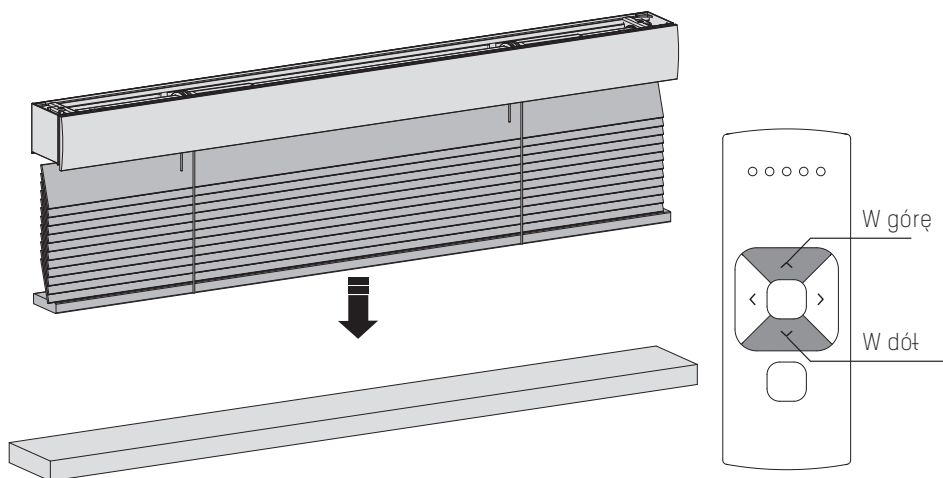
- 2 Naciśnij przycisk parowania na odwrocie pilota, aby sparować przestonę z wybranym kanałem. Przesłona na chwilę przestanie się poruszać, co oznacza, że pilot został sparowany z przestoną.
- 3 Naciśnij krótko przycisk programowania, aby wyłączyć tryb programowania. Przesłona zatrzyma się i może być obsługiwana.

18

2 Sprawdzanie kierunku obrotów

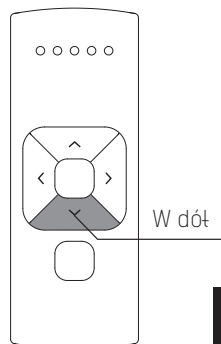
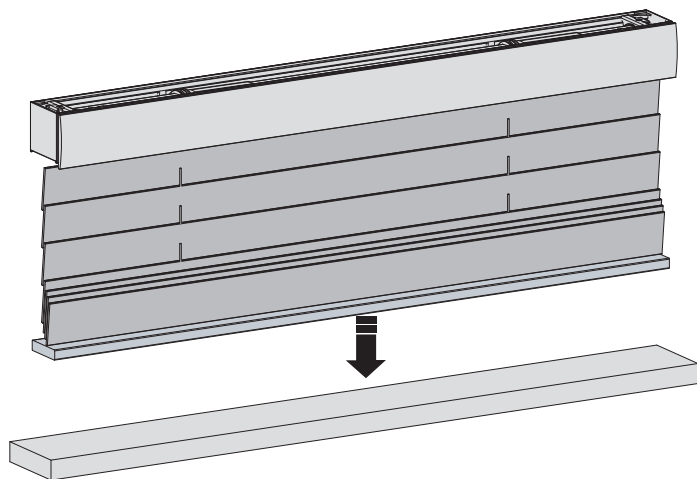
⚠ OSTRZEŻENIE: ryzyko uszkodzenia. Zatrzymaj przestonę przed osiągnięciem pozycji końcowych.

- 1 Naciśnij krótko przycisk w dół, aby sprawdzić, czy przestona rozwija się we właściwy sposób. Jeśli przestona porusza się do góry, należy zmienić kierunek obrotu.
- 2 Nacisnąć jednocześnie przycisk w górę i w dół, aby zmienić kierunek poruszania.



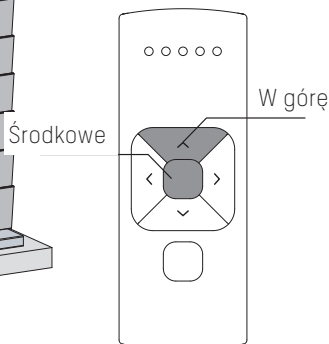
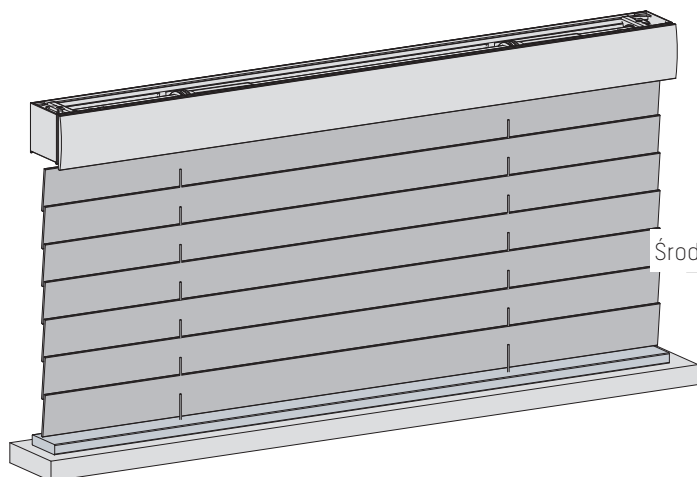
3 Ustawianie dolnej pozycji

Naciśnij i przytrzymaj przycisk w dół, aż przesłona osiągnie żądaną pozycję dolną. **OSTRZEŻENIE:** ryzyko uszkodzenia. Powoli zbliżaj się do pozycji dolnej.



4 Zapisywanie dolnej pozycji

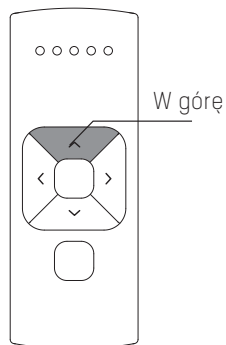
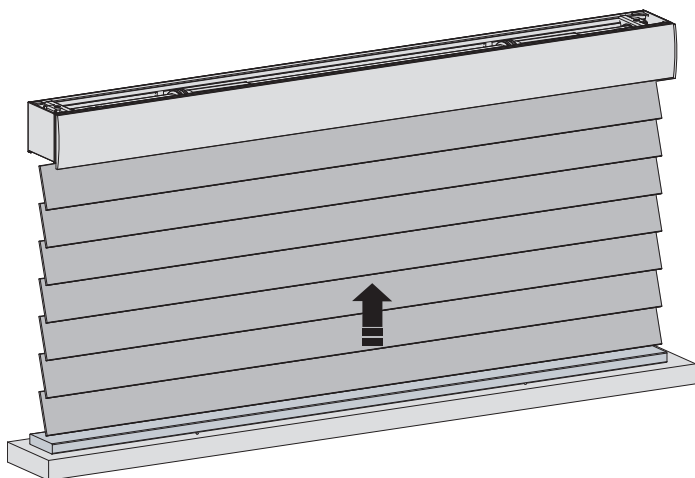
Przytrzymaj jednocześnie środkowy i górny przycisk, aż przesłona przestanie na chwilę poruszać i zacznie poruszać się ponownie. Dolna pozycja została zachowana.



5 Ustawienie pozycji górnej

Naciśnij i przytrzymaj przyci w górę, aż przesłona osiągnie żądaną pozycję górną.

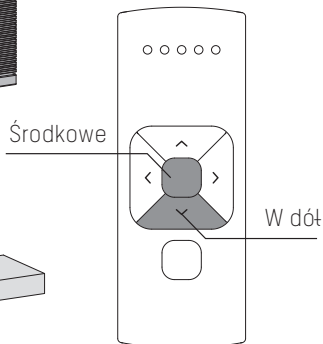
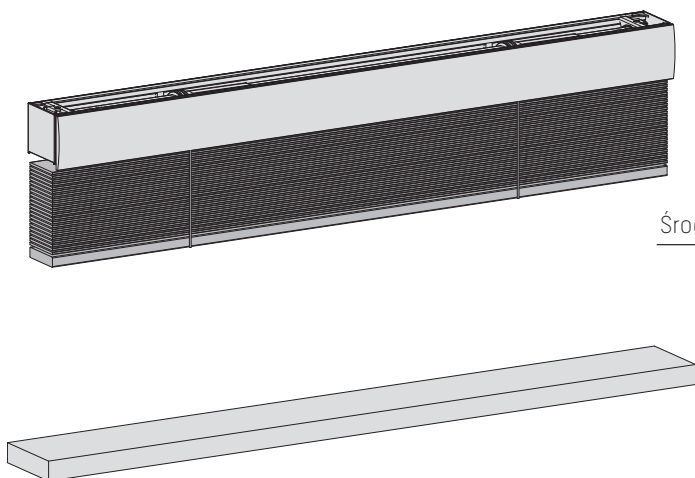
OSTRZEŻENIE: ryzyko uszkodzenia. Powoli zbliżyć się do górnej pozycji.



20

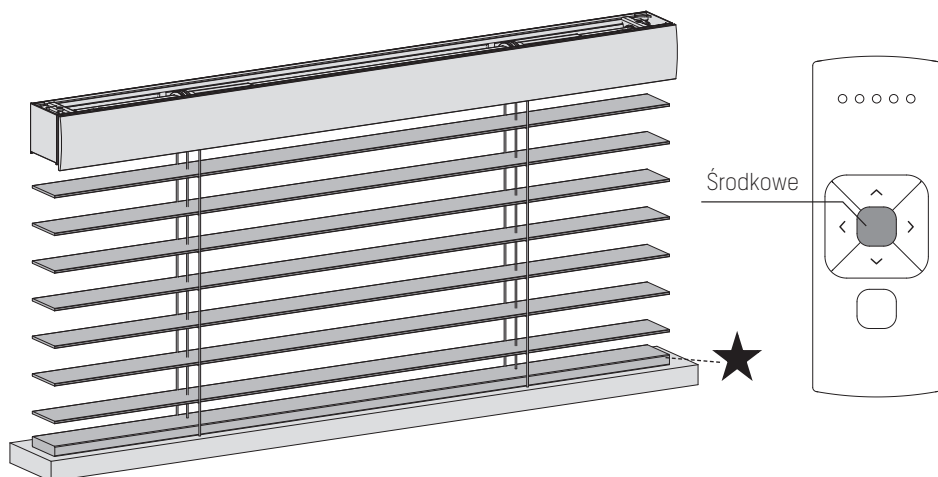
6 Zapisywanie górnej pozycji

Przytrzymać jednocześnie środkowy i dolny przycisk, aż przesłona przestanie na chwilę poruszać i zacznie poruszać się ponownie. Górna pozycja została zachowana.



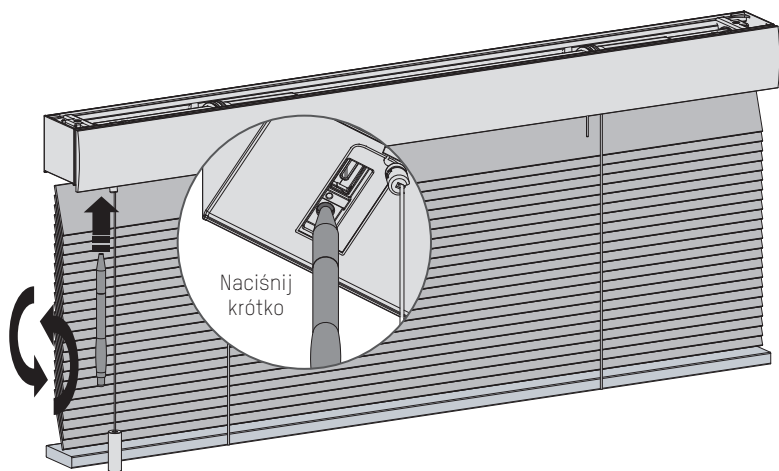
7 Ustawienie ulubionej pozycji (opcjonalnie)

- 1 Przesuń przestonę do wybranej ulubionej pozycji.
- 2 Przytrzymaj środkowy przycisk, aby zapisać tę ulubioną pozycję. Przesłona na krótko zatrzymuje się, wskazując, że ulubiona pozycja została zapisana.



8 Wyłączenie trybu programowania

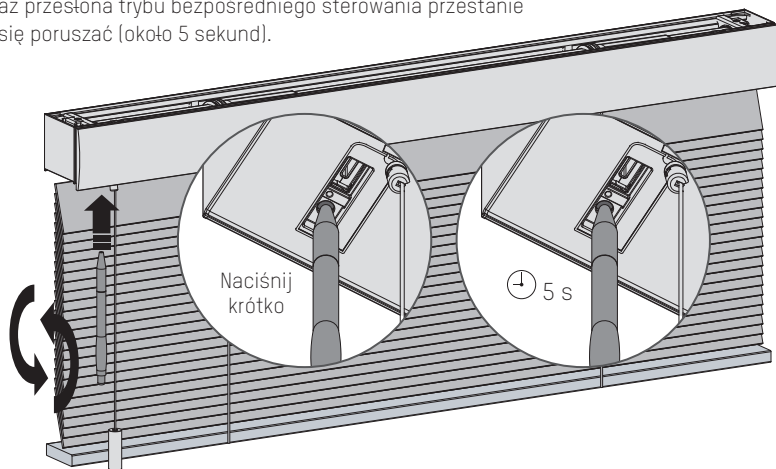
Naciśnij krótko przycisk programowania, aby wyłączyć tryb programowania. Przesłona zatrzyma się i może być obsługiwana.



i Wyłączenie trybu bezpośredniego sterowania dla pilota (Nie zalecane dla Venetian)

Po naciśnięciu przycisku w górę lub w dół na pilocie przesłona bezpośrednio przesuwa się do pozycji końcowych (sterowanie bezpośrednie). Aby obsługiwać przesłonę mniejszymi krokami za pomocą przycisku w górę i w dół, można wyłączyć sterowanie bezpośrednie. Teraz przesłona przesuwa się bezpośrednio do pozycji końcowych tylko wtedy, gdy przycisk w górę lub w dół jest przytrzymany dłużej niż dwie sekundy.

- 1** Naciśnij przycisk programowania na silniku, aby włączyć tryb programowania. Przesłona zaczyna podnosić się i opuszczać.
- 2** Aby wyłączyć lub ponownie włączyć sterowanie bezpośrednie, przytrzymaj przycisk programowania, aż przesłona trybu bezpośredniego sterowania przestanie się poruszać (około 5 sekund).

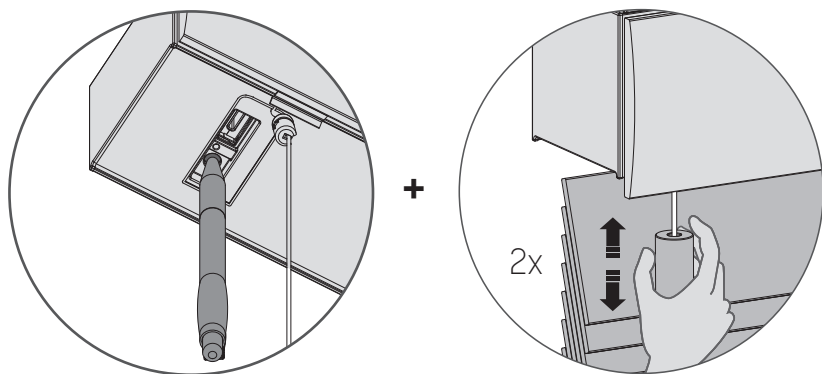


FAQ

i Aktywacja / dezaktywacja silnika (tryb transportowy)

Aby zapobiec uszkodzeniu przesłony, silnik posiada tryb transportowy, który sprawia, że przesłona nie zostanie uruchomiona przed montażem.

- 1** Przytrzymaj przycisk programowania i pociągnij dwukrotnie, aby aktywować lub dezaktywować silnik. (Kiedy silnik jest włączony, zapali się zielona dioda, kiedy jest wyłączony, zapali się czerwona dioda)

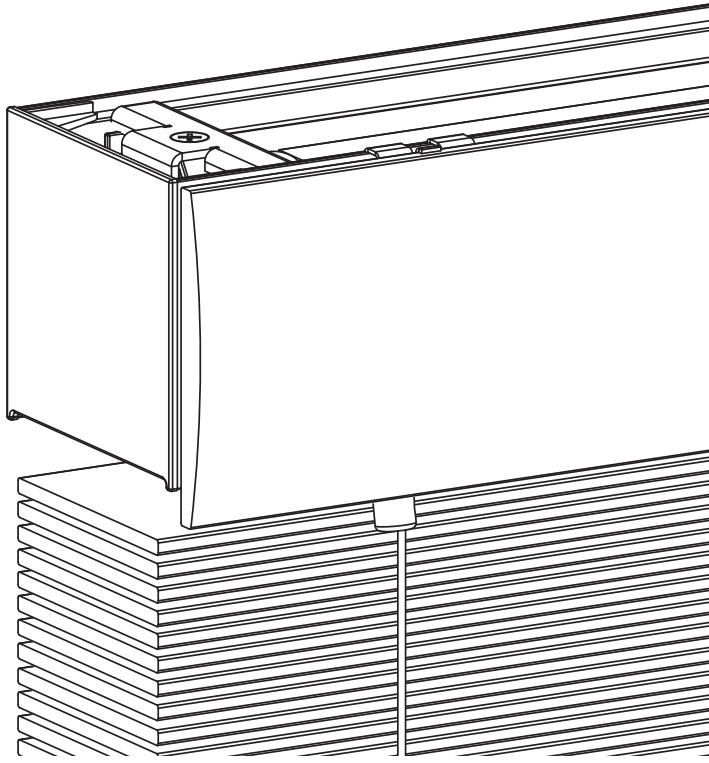


Problem	Przyczyna	Rozwiązanie
Przesłona nie działa.	Silnik jest w trybie transportowym.	Aktywuj silnik. Zobacz stronę 4/28.
	Bateria silnika jest rozładowana.	Naładuj silnik. Zobacz stronę 12.
	Bateria pilota jest rozładowana. (Diody LED na pilocie szybko migają)	Wymień baterię w pilocie. Zapoznaj się z instrukcją obsługi pilota.
	Bateria pilota jest włożona nieprawidłowo.	Wymień baterię w pilocie. Zapoznaj się z instrukcją obsługi pilota.
	Zakłócenia radiowe	Upewnij się, że antena silnika nie jest narażona na kontakt z metalowymi przedmiotami.
	Odległość między telefonem/mostem/pilotem a silnikiem jest zbyt duża.	Zbliż się do silnika.
Pilot nie jest podłączony do przesłony.	Sparuj pilot z silnikiem. Zob. stronę 18.	
Dioda LED silnika miga na czerwono.	Bateria silnika jest rozładowana.	Naładuj silnik. Zob. stronę 12.
Przesłona nie ładuje się.	Ładowarka nie jest podłączona lub nie działa.	Spróbować użyć innej ładowarki lub upewnić się, że ładowarka jest podłączona do gniazdka.
Wiele przesłon reaguje na pilota. (Nie można zaprogramować pojedynczej przesłony)	Wiele przesłon jest zaprogramowanych na jednym kanale	Sparuj wolnym kanałem do zaprogramowania lub użyj pojedynczego wyboru, aby zaprogramować przesłonę.
Przesłona porusza się małymi krokami.	1) Nie zaprogramowano żadnych pozycji końcowych. 2) Sterowanie bezpośrednie jest wyłączone.	1) Zaprogramuj pozycje końcowe. Zob. strony 6-7, 18-20. 2) Aktywuj sterowanie bezpośrednie. Zob. stronę 22.
Nie można zaprogramować ulubionej pozycji.	Nie zaprogramowano żadnych pozycji końcowych.	Zaprogramuj pozycje końcowe. Zob. strony 6-7, 18-20.
Przesłona opuszcza się za daleko.	Pozycje końcowe są zaprogramowane nieprawidłowo.	Przeprogramuj pozycje końcowe. Zob. krok 6-7, 18-20.
Przesłona porusza się w przeciwnym kierunku.	Kierunek sterowania został ustawiony nieprawidłowo.	Zmień kierunek sterowania. Patrz strony 11, 18.
Przesłona porusza się w górę i w dół.	Przesłona jest w trybie programowania.	Naciśnij przycisk programowania na silniku, aby wyjść z trybu programowania.
Przesłona nie łączy się z siecią Thread.	Połączenie przesłony nie jest stabilne.	1) Włącz Bluetooth 2) Wyłącz silnik, włącz go ponownie i spróbuj połączyć się ponownie. strona 28 3) Zamknij aplikację i ponownie połącz się ze swoim silnikiem.

Manual do usuário

Persiana Horizontal

Motor CM-06-E-V



ADVERTÊNCIA

Leia atentamente as instruções antes de montar e utilizar o produto. A montagem pode ser concluída por não-profissionais. Apenas para uso interior.



- As crianças pequenas podem estrangular-se com o laço dos cordões, correntes e fitas de tração, e cordões que acionam as cortinas.
- Para evitar estrangulamento e enredamento, manter os cordões fora do alcance das crianças pequenas.
- Os cordões podem se enrolar no pescoço de uma criança.
- Afastar camas, berços e mobiliário dos cordões das persianas.
- Não atar os cordões entre si.
- Certifique-se de que os cordões não se torçam entre si e formem um laço.

Limpeza

Siga estas regras gerais ao limpar o exterior do aparelho e os seus componentes:

- Utilizar um pano úmido, macio e sem pêlos. Evite a entrada de umidade nas aberturas.
- Não utilizar aerossóis, solventes, álcool, ou abrasivos.

Serviço & Apoio

Não efetuar reparações por conta própria. Não tente abrir nem desmontar o aparelho. Corre o risco de choque elétrico e de invalidar a garantia limitada. Não existem peças passíveis de manutenção pelo utilizador no seu interior.

Serviço de Garantia

Primeiro siga as orientações deste manual. Se o produto parecer estar danificado ou não funcionar corretamente, vá ao seu revendedor local para obter instruções sobre como obter o serviço de garantia.

Reciclar

Esta marcação indica que este produto não deve ser eliminado com outros resíduos domésticos em toda a UE. Para evitar possíveis danos ao ambiente ou à saúde humana devido à eliminação descontrolada de resíduos, recicle-os de forma responsável para promover a reutilização sustentável dos recursos materiais. Para devolver o seu aparelho usado, utilize os sistemas de devolução e recolha ou contacte a revenda onde o produto foi adquirido. Pode-se levar este produto para uma reciclagem ambientalmente segura.

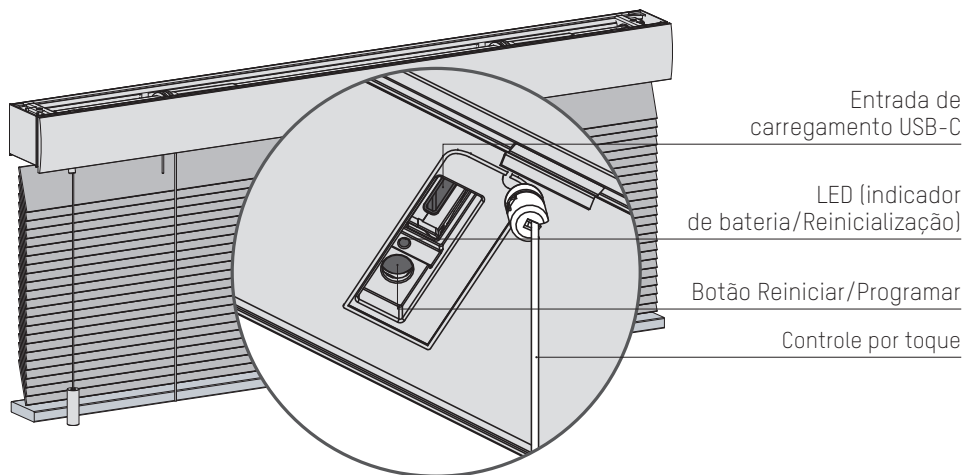


IP 20



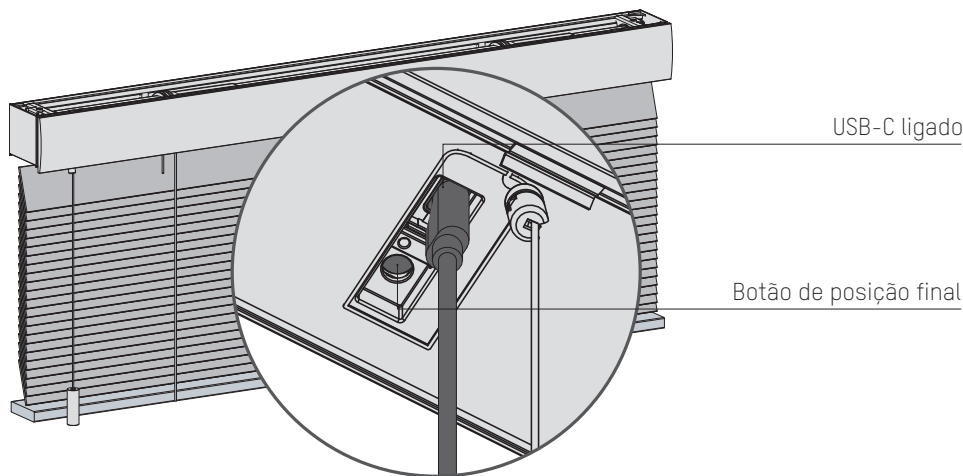
Conforms to
UL Std. 325
Certified to
CSA Std. C22.2#247

i Botões e funções



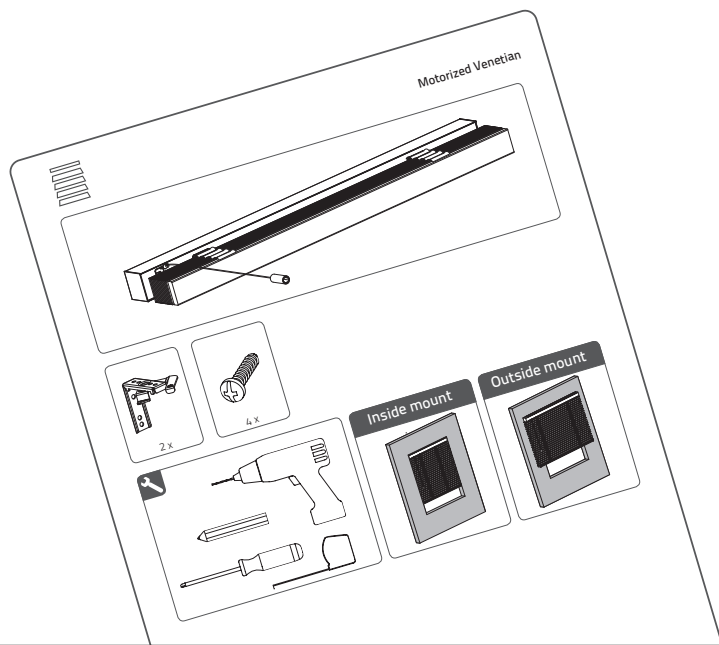
i Modos de programa

Quando um cabo USB-C é ligado e alimentado, as funções do botão de reiniciar/programar mudam automaticamente, permitindo definir posições finais com este botão. Enquanto o USB-C estiver ligado e alimentado, as funções predefinidas de reiniciar/programar não podem ser utilizadas.



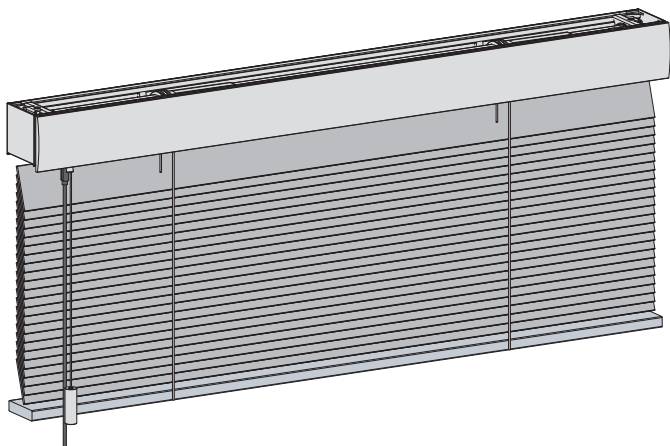
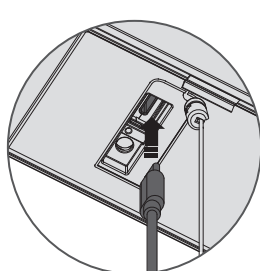
1 Instalar a persiana

Siga os passos nas instruções de instalação para instalar a persiana.



2 Ativar a persiana

Para ativar a persiana, ligue-a a uma fonte de alimentação padrão USB-C 5V através de um cabo USB-C. Este pode ser o adaptador de energia do seu smartphone, por exemplo.



3 Adicionar o Eve MotionBlinds à sua plataforma

Adicione o Eve MotionBlinds à plataforma da sua escolha e certifique-se de que tem um Roteador Thread Border compatível.

Mais informações: motionblinds.com/eve/matter

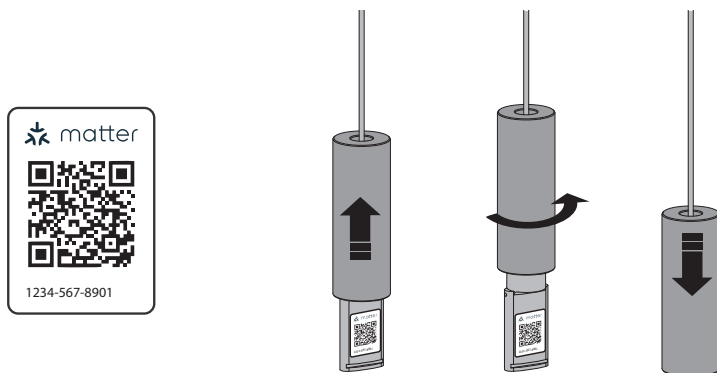


4 Configurar a persiana

Agora pode adicionar facilmente o Eve MotionBlinds à sua casa inteligente em apenas alguns passos, digitalizando o Código de Configuração Matter utilizando o app da sua plataforma favorita. Digitalize o código de configuração do Matter para adicioná-la à sua plataforma.

As persianas com motores Eve MotionBlinds necessitam de posições finais definidas para funcionarem corretamente. As posições finais podem ser programadas de 2 formas. No app Eve ou através do botão de programação da posição final na sua persiana. (Passo 5)

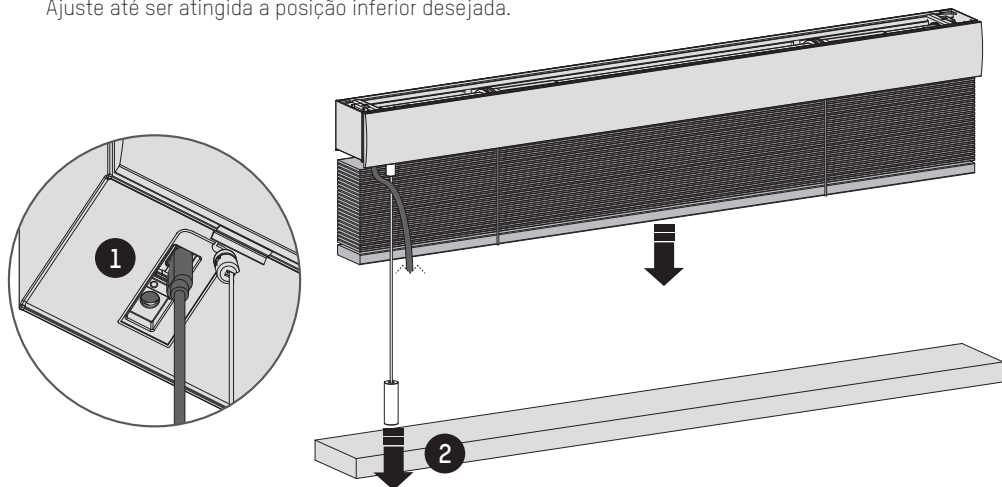
Depois de digitalizar, pode ocultar o seu Código de Configuração da Matter.



5 Definir as posições finais

Além de definir as posições finais pelo aplicativo, é possível definir as posições finais pressionando o botão no motor. 1: Para entrar neste modo de programa, certifique-se de que o cabo USB-C está ligado e alimentado (ver página 3). 2: Puxe e segure a corrente até a persiana atingir a posição inferior. Se a persiana se mover na direção oposta, solte a corrente e puxe e segure novamente.

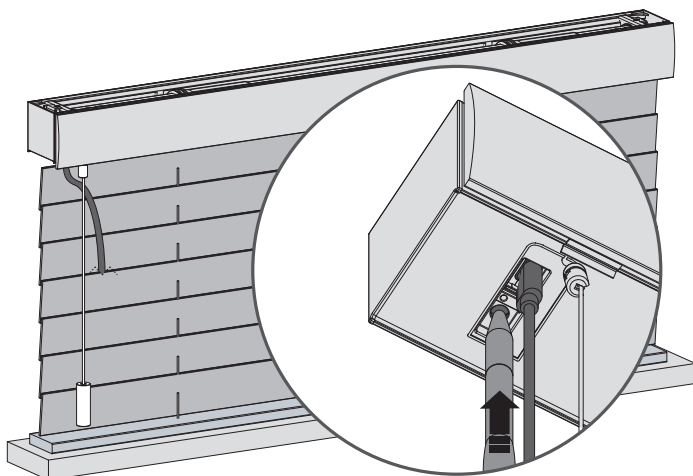
Ajuste até ser atingida a posição inferior desejada.



6

6 Salvar a sua posição inferior

Quando a sua persiana estiver posicionada na posição inferior desejada, mantenha o pressionado premido até a persiana se mover para cima e para baixo para salvar a sua posição inferior.

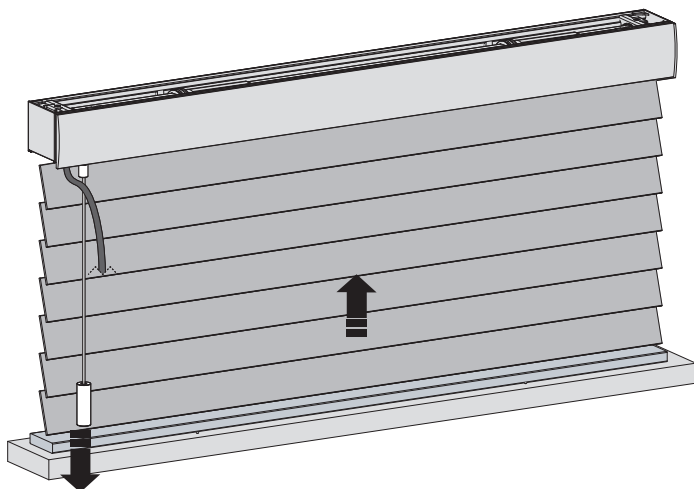


7 Mova a sua persiana para a posição superior

Puxe e segure a corrente até a persiana atingir a posição superior.

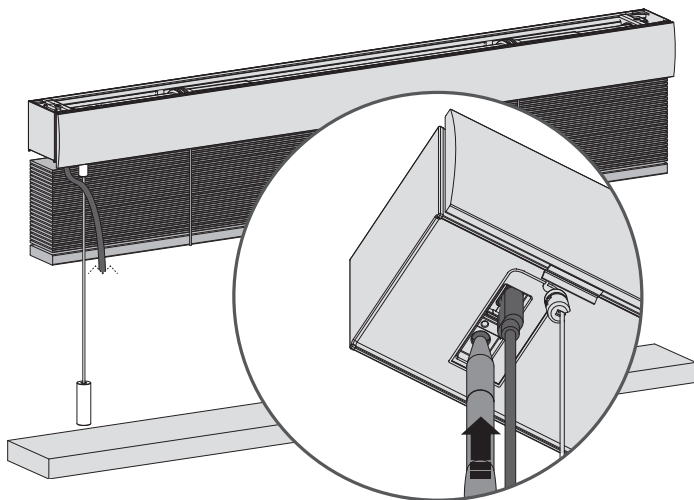
ADVERTÊNCIA: risco de danos. Aproxime lentamente da posição superior. Se a persiana se mover na direção oposta, solte a corrente e puxe e segure novamente.

Ajuste até ser atingida a posição superior desejada.



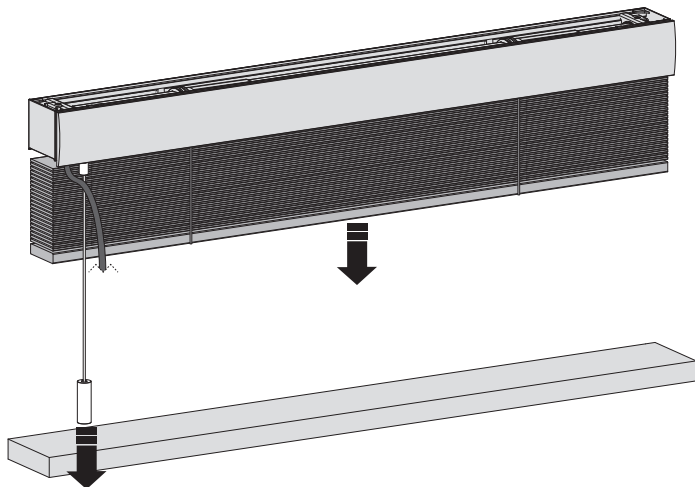
8 Salvar a posição superior

Quando a sua persiana estiver posicionada na posição superior desejada, mantenha o botão pressionado até a persiana se mover para cima e para baixo para salvar a sua posição superior.



9 Alterar as posições finais

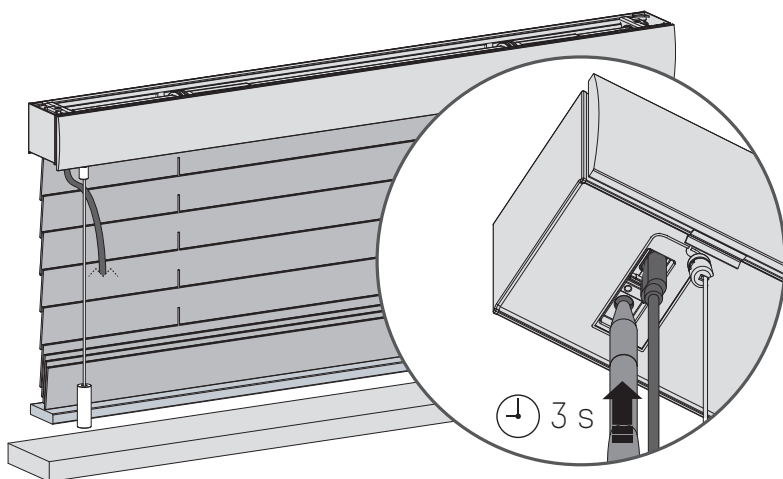
Para alterar uma das suas posições finais, é necessário mover a sua persiana até a posição final que se pretende ajustar (inferior ou superior). Puxe a corrente e espere até que a persiana tenha alcançado a posição final que se deseja ajustar.



8

10 Remover a posição final (inferior/superior)

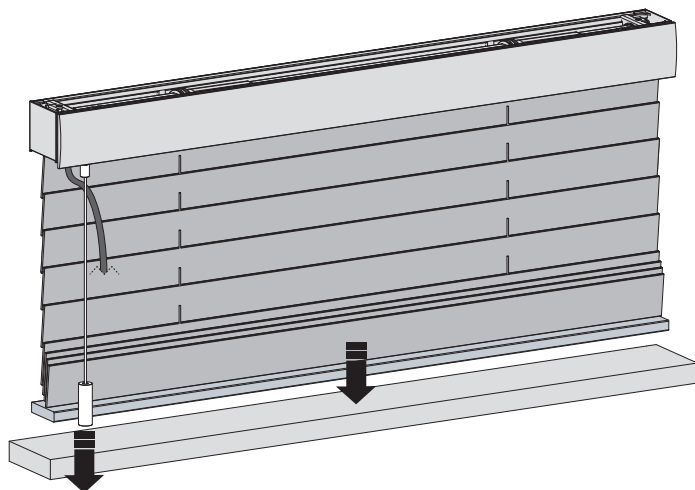
Mantenha o botão de posição final pressionado durante 3 segundos para remover a sua posição (inferior/superior). A persiana irá subir e descer uma vez para confirmar que a sua posição final foi removida. Agora é possível definir uma nova posição (inferior/superior).



11 Mova a sua persiana para a nova posição (inferior)

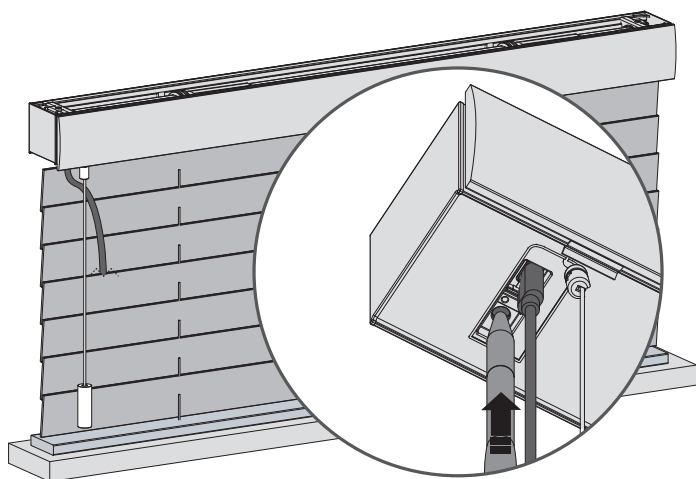
Puxe e segure a corrente até a persiana atingir a posição inferior. Se a persiana se mover na direção oposta, solte a corrente e puxe e segure novamente.

Ajuste até ser atingida a posição inferior desejada.



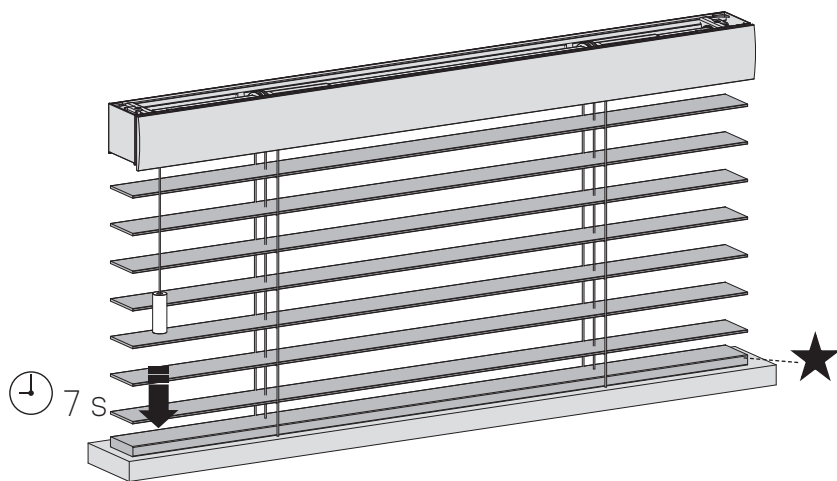
12 Salve a sua posição (inferior)

Quando a sua persiana estiver posicionada na posição inferior desejada, mantenha o botão pressionado até a persiana se mover para cima e para baixo para salvar a sua posição inferior.



13 Salvar a posição favorita

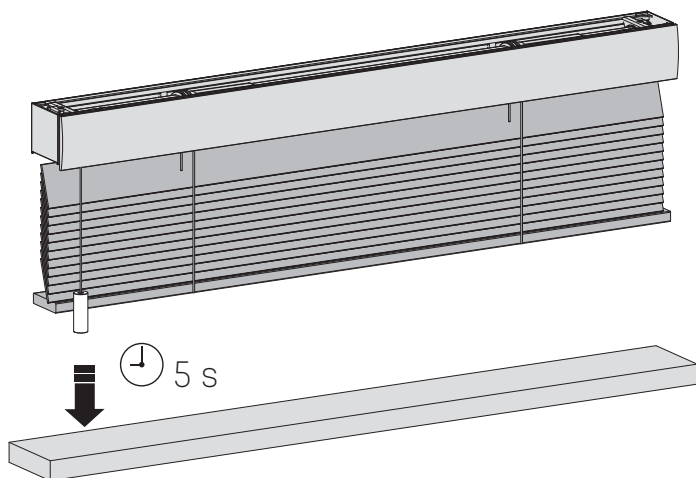
Quando não há nenhuma posição favorita programada, é necessário posicionar a sua persiana na posição favorita desejada. Quando a persiana estiver na sua posição favorita, segure a corrente / corda / bastão até a persiana subir e descer uma vez (aproximadamente 7 segundos).



10

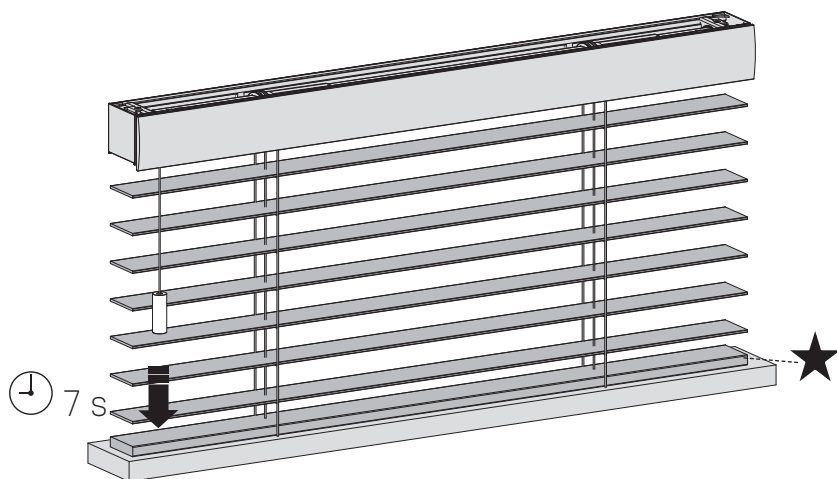
14 Acione a sua persiana até a posição favorita

Quando a sua persiana não estiver posicionada na posição favorita, segure a corrente / corda / bastão durante 5 segundos e a sua persiana irá mover-se para a sua posição favorita.



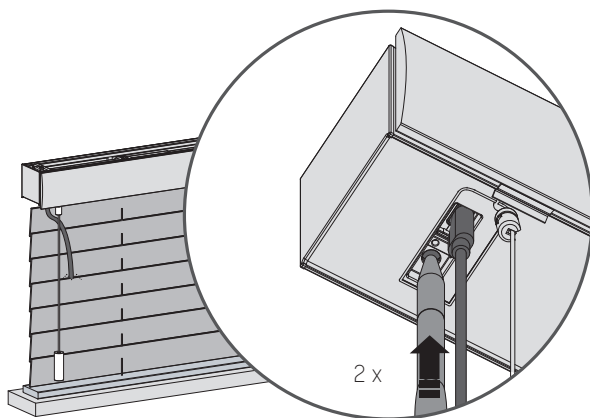
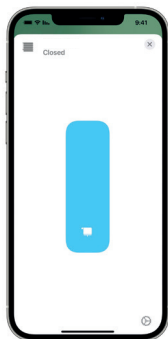
15 Salvar uma nova posição preferida

Para remover a sua posição favorita anterior, é necessário colocar a sua persiana na sua posição favorita atual. (Passo 14) Em seguida, segure a corrente / corda / bastão até a persiana subir e descer uma vez. (Aproximadamente 7 segundos) Agora a sua posição favorita foi removida. Siga o passo 13 para definir a sua nova posição favorita.



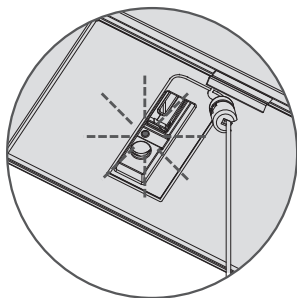
i Mudar o sentido de rotação

Se a rotação da persiana no aplicativo for oposta à sua persiana, mude o sentido de rotação pressionando o botão de Posição Final duas vezes no intervalo de um segundo.

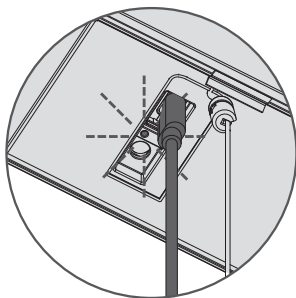


i Recarregar a persiana

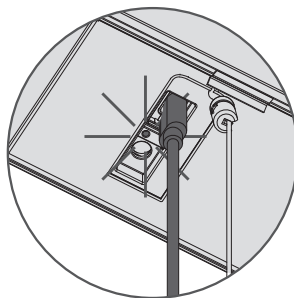
Para carregar a persiana, ligue-a a uma fonte de alimentação padrão USB-C 5V através de um cabo USB-C. Este pode ser o adaptador de energia do seu smartphone, por exemplo. Carregar pelo menos uma vez por ano.



A luz LED pisca em vermelho durante o funcionamento; Carregar a bateria



A luz LED pisca em verde; a bateria está carregando



Luz LED constantemente verde; a bateria está totalmente carregada

Instruções de segurança importantes

ADVERTÊNCIA: Para reduzir o risco de ferimentos graves ou morte, é importante seguir estas instruções para segurança pessoal. Guarde estas instruções.

- Leia e siga todas as instruções de instalação.
- Este aparelho pode ser utilizado por crianças a partir dos 8 anos de idade e por pessoas com capacidades físicas, sensoriais ou mentais reduzidas ou com falta de experiência e conhecimentos, se lhes tiver sido dada supervisão ou instruções relativas à utilização do aparelho de uma forma segura e compreenderem os perigos envolvidos. As crianças não devem brincar com o aparelho. A limpeza e a manutenção por parte do utilizador não devem ser realizadas por crianças sem supervisão.
- Não permitir que as crianças brinquem com controlos fixos. Manter os controlos remotos longe das crianças.
- Examinar frequentemente a instalação quanto a desbalanceamentos e sinais de desgaste ou danos em cabos e molas. Não utilizar se for necessário reparar ou ajustar.
- Este manual de instruções também está disponível no website.
- A unidade de acionamento deve ser desligada da sua fonte de energia durante a limpeza, manutenção e ao substituir peças.
- O nível de pressão sonora de emissão ponderado A da unidade de acionamento é igual ou inferior a 70 dB(A).
- Apenas para uso doméstico e em interiores.
- Desligue a unidade de acionamento da fonte de alimentação ou desligue os controlos automáticos quando a manutenção, tal como a limpeza de janelas, está a ser efetuada nas proximidades.
- Ao operar um interruptor de retorno automático, certifique-se de que outras pessoas são mantidas à distância.
- Não acionar quando a manutenção, tal como a limpeza de janelas, estiver a ser efetuada nas proximidades.
- O motor tubular só deve ser alimentado com tensão muito baixa de segurança correspondente à marcação no aparelho.
- A temperatura máxima de funcionamento do motor é de +45°C. A temperatura máxima de

carregamento do conjunto de baterias é de +45°C.

- Este aparelho contém baterias que não são substituíveis.

Instruções de instalação importantes

ADVERTÊNCIA: Instruções de segurança importantes. Siga todas as instruções, uma vez que uma instalação incorreta pode levar a lesões graves.

- Este motor só pode ser utilizado com material macio para partes acionadas.
- As partes móveis perigosas e desprotegidas da unidade de acionamento devem ser instaladas a mais de 2,5 m acima do chão ou qualquer outra superfície plana que possa dar acesso à mesma.
- Instalar o elemento atuador de desbloqueio manual a uma altura inferior a 1,8 m.
- O elemento acionador de um interruptor de retorno automático deve ser localizado no campo de visão direto da parte acionada, mas longe das partes móveis. Deve ser instalado a uma altura mínima de 1,5 m e não ser acessível ao público.
- A massa e a dimensão da parte acionada devem ser compatíveis com o torque nominal e o tempo de funcionamento nominal.
- Os controlos fixos têm de ser claramente visíveis após a instalação.
- A parte acionada deve ser compatível com o torque nominal 0.6 N.m e o tempo de operação nominal (12 min).
- A unidade de acionamento destina-se a ser instalada a uma altura de pelo menos 2,5 m acima do chão ou qualquer outra superfície plana acessível.
- Os seccionadores omnipolares devem ser incorporados na cablagem fixa, de acordo com as regras de cablagem.
- O aparelho só deve ser fornecido a uma tensão extra baixa de segurança correspondente à marcação no aparelho.
- Antes de instalar a unidade de acionamento, remover quaisquer cordões ou componentes desnecessários e desativar qualquer equipamento que não seja necessário para o funcionamento elétrico.

Manual da FCC ID: ZY4CM06E IC:28117-CM06E

Informação sobre regulamentação

1 Informação da FCC para o usuário

Este produto não contém quaisquer componentes passíveis de manutenção pelo usuário e deve ser utilizado apenas com antenas aprovadas. Quaisquer alterações ou modificações do produto invalidarão todas as certificações e aprovações regulamentares aplicáveis.

2 Avisos da FCC sobre Emissões Eletrônicas

Este aparelho cumpre a parte 15 das normas da FCC. O funcionamento está sujeito às duas condições seguintes:

1. Este aparelho não pode causar interferências nocivas
2. Este aparelho deve aceitar qualquer interferência recebida, incluindo interferências que possam causar um funcionamento indesejável.

3 Declaração da FCC sobre Interferências de Radiofrequências

Este equipamento foi testado e considerado em conformidade com os limites de um aparelho digital de classe B,

de acordo com a Parte 15 das normas da FCC. Estes limites são concebidos para proporcionar uma proteção razoável

contra interferências nocivas quando o equipamento é operado num ambiente comercial.

Este equipamento gera, utiliza e pode irradiar energia de radiofrequência e, se não for instalado e utilizado de acordo com as instruções, pode causar interferências prejudiciais às comunicações de rádio.

O funcionamento deste equipamento numa área residencial pode causar interferências nocivas, caso em que o utilizador será obrigado a corrigir a interferência às suas próprias custas. Se este equipamento causar interferências prejudiciais à recepção de rádio ou televisão, que podem ser determinadas ligando e desligando o equipamento, o usuário será encorajado a tentar corrigir a interferência através de uma ou mais das seguintes medidas:

- Reorientar ou recolocar a antena receptora
- Aumentar a distância que separa o equipamento do receptor
- Conectar o equipamento a uma tomada em um circuito diferente daquele ao qual o receptor está conectado
- Consulte o revendedor ou um técnico de rádio/TV experiente para obter ajuda

Este dispositivo está em conformidade com os limites de exposição à radiação da FCC estabelecidos para um ambiente não controlado. Este dispositivo deve ser instalado e operado com uma distância mínima de 20 cm entre o radiador e seu corpo.

Declaração da UE

Por este meio, Coulisse declara que o equipamento de rádio do tipo CM-06-E-V está em conformidade com a diretiva 2014/53/EU. O texto completo da declaração de conformidade da UE está disponível no seguinte endereço da Internet: support.motionblinds.com

- Faixa de frequência: 433 MHz, potência de RF: <3 dBm
- Faixa de frequência BLE: 2402 - 2480 MHz, potência de RF: <20 dBm EIRP
- Faixa de frequência Thread: 2405 - 2480 MHz, potência de RF: <20 dBm EIRP

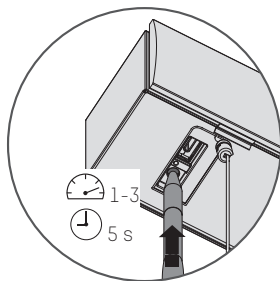
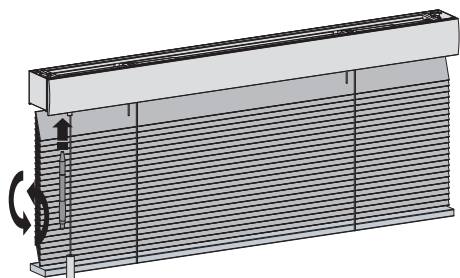
Conformidade ISED

Este dispositivo contém transmissor(es)/receptor(es) isentos de licença que estão em conformidade com o(s) RSS isento(s) de licença do Innovation, Science and Economic Development Canada. O funcionamento está sujeito às duas condições seguintes: Este dispositivo não pode causar interferências. Este dispositivo tem de aceitar quaisquer interferências, incluindo interferências que possam causar um funcionamento indesejado do dispositivo.

i Alterar a velocidade do motor / nível sonoro

⚠️ ADVERTÊNCIA: Certifique-se de que o cabo USB-C foi removido. Caso contrário, os limites finais serão eliminados.

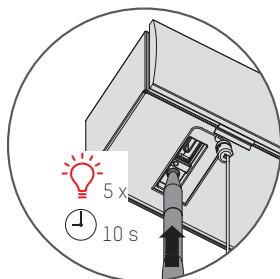
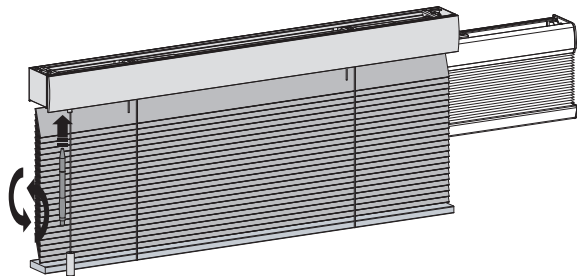
Mantenha premido o botão de programa durante 5 segundos para alterar a velocidade do motor / nível de som. O estore sobe e desce 1 vez para indicar que a velocidade foi ajustada para 1 dos 3 níveis. Atenção: soltar o botão após 5 segundos quando o estore sobe e desce para evitar reiniciar a ligação.



i Redefinir a ligação

⚠️ ADVERTÊNCIA: Certifique-se de que o cabo USB-C foi removido. Caso contrário, os limites finais serão eliminados.

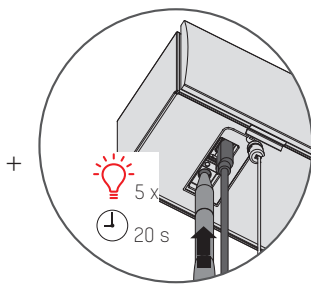
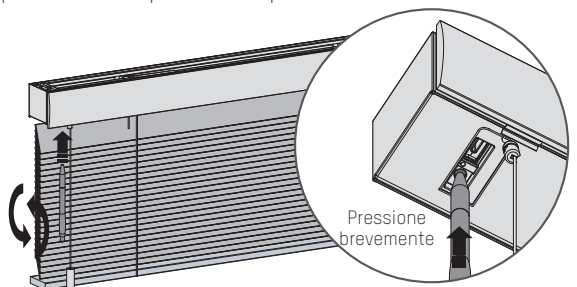
Segure o botão de programar premido durante 10 segundos para apagar a ligação entre a persiana e a aplicação. O LED acende-se 5 vezes e a persiana sobe e desce 1 vez para indicar que a ligação foi redefinida. Agora a persiana pode ser reconectada.



i Redefinir a persiana

⚠️ ADVERTÊNCIA: Certifique-se de que o cabo USB-C foi removido. Caso contrário, os limites finais serão eliminados.

A redefinição da persiana resulta na eliminação das posições finais e conexões da persiana com aplicações e controlos remotos. Pressione brevemente o botão de programar para ativar o modo de programa. A persiana começará a subir e descer gradualmente. Manter o botão reset/programa premido durante pelo menos 20 segundos para redefinir a persiana. A persiana irá parar de se mover gradualmente duas vezes. Após a segunda paragem, a persiana dará um passo adicional para indicar que foi redefinida.

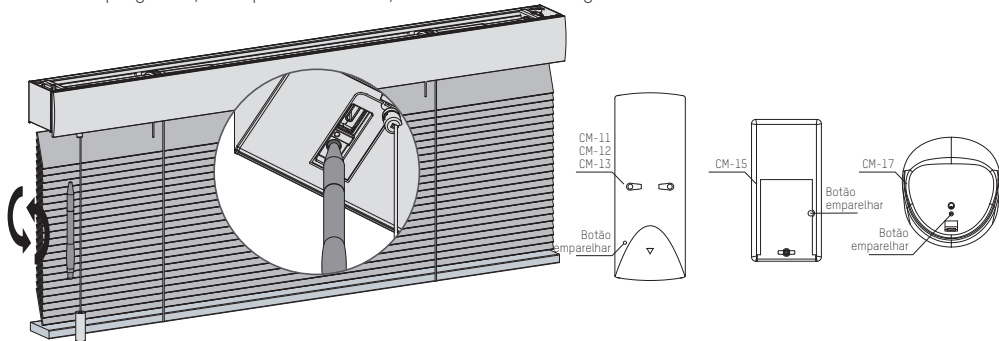


PROGRAMAÇÃO DO CONTROLE REMOTO

1 Emparelhar um controle remoto

Qualquer controle remoto MotionBlinds pode ser ligado à sua persiana.

- 1 Selecione um canal no controle remoto e pressione o botão de programar no motor para ativar o modo de programação. A persiana começará a subir e descer gradualmente.



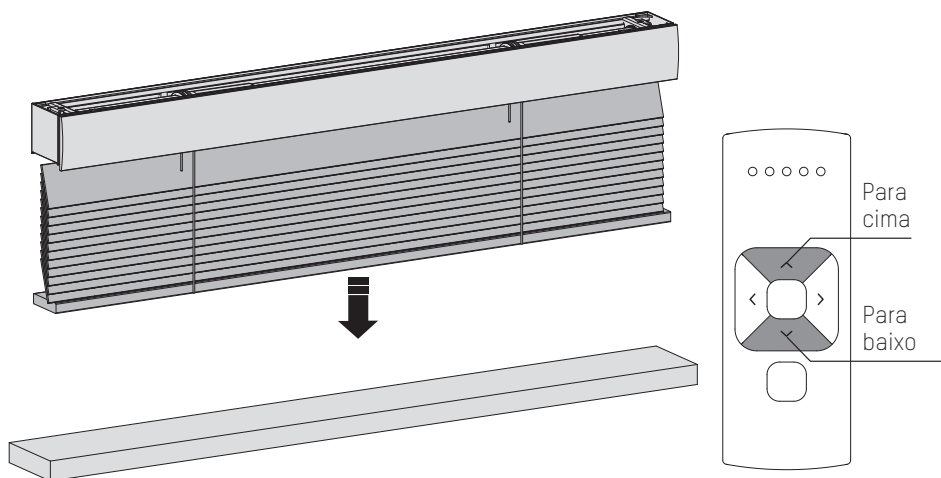
- 2 Pressione o botão emparelhar na parte de trás do controle remoto para emparelhar a persiana com o canal selecionado. A persiana deixará brevemente de se mover gradualmente, indicando que o controle remoto foi emparelhado com a persiana.
- 3 Pressione brevemente o botão de programar no motor para desativar o modo de programação. A persiana pára de se mover gradualmente e pode ser operada.

18

2 Verifique o sentido de rotação

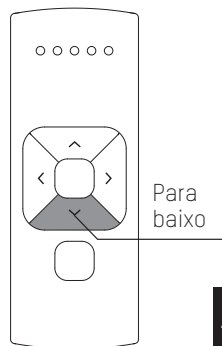
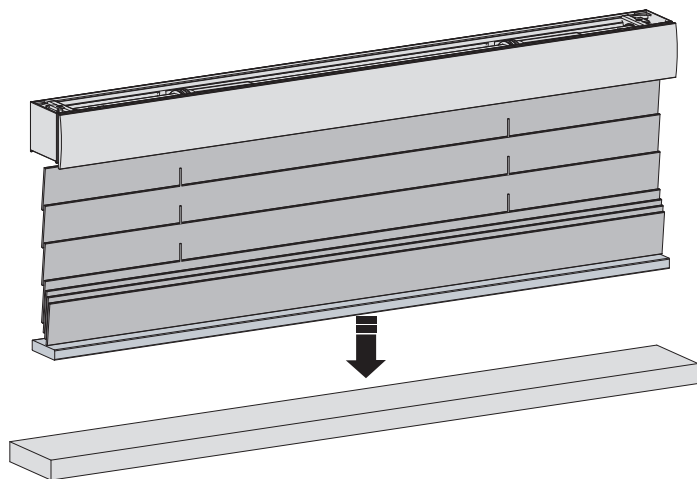
⚠️ ADVERTÊNCIA: risco de danos. Pare a persiana antes de chegar às posições finais.

- 1 Pressione brevemente o botão para baixo para verificar se a persiana desenrola no sentido correto. Se a persiana subir, o sentido de rotação deve ser alterado.
- 2 Pressione simultaneamente o botão para cima e para baixo para alterar o sentido de rotação.



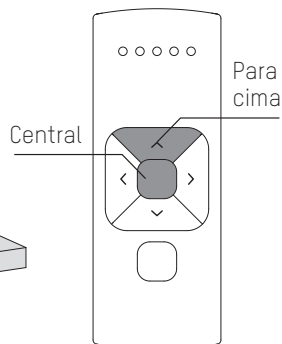
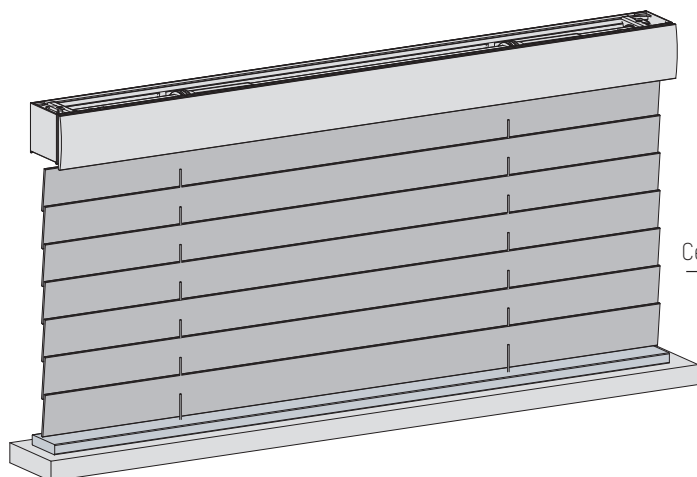
3 Definir posição inferior

Mantenha pressionado o botão para baixo até que a persiana atinja a posição inferior desejada. **ADVERTÊNCIA:** risco de danos. Aproxime lentamente da posição inferior.



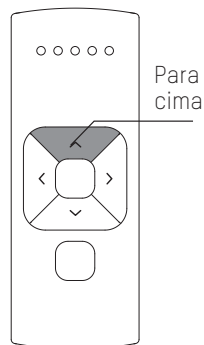
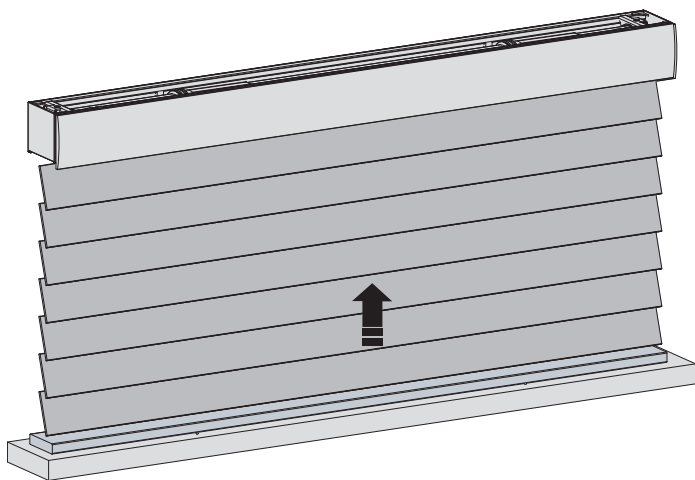
4 Salvar a posição inferior

Pressione simultaneamente o botão central e o botão para cima até que a persiana pare de se mover gradualmente e comece novamente a se mover gradualmente. A posição inferior foi salva.



5 Definir a posição superior

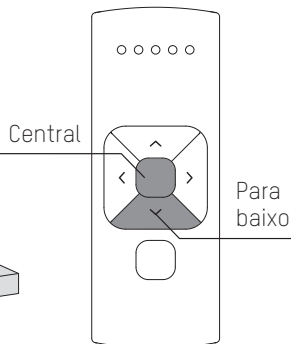
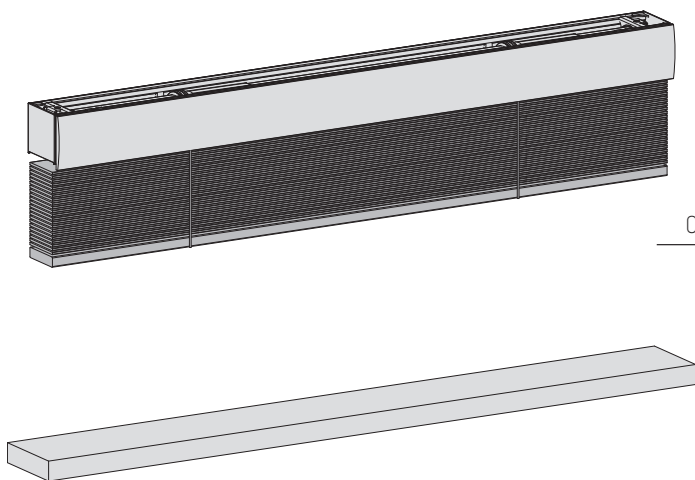
Mantenha pressionado o botão para cima até que a persiana atinja a posição superior desejada. **ADVERTÊNCIA:** risco de danos. Aproxime lentamente da posição superior.



20

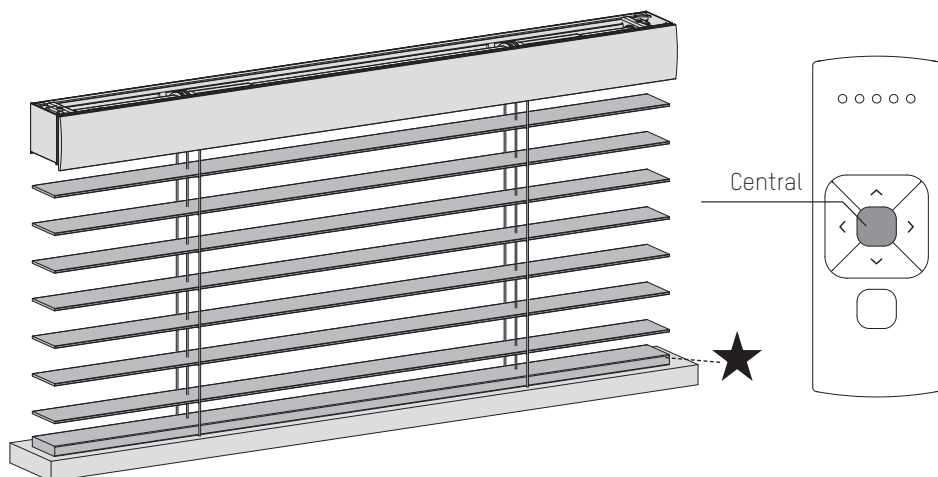
6 Salvar a posição superior

Pressione simultaneamente o botão central e o botão para baixo até que a persiana pare de se mover gradualmente e comece novamente a se mover gradualmente. A posição superior foi salva.



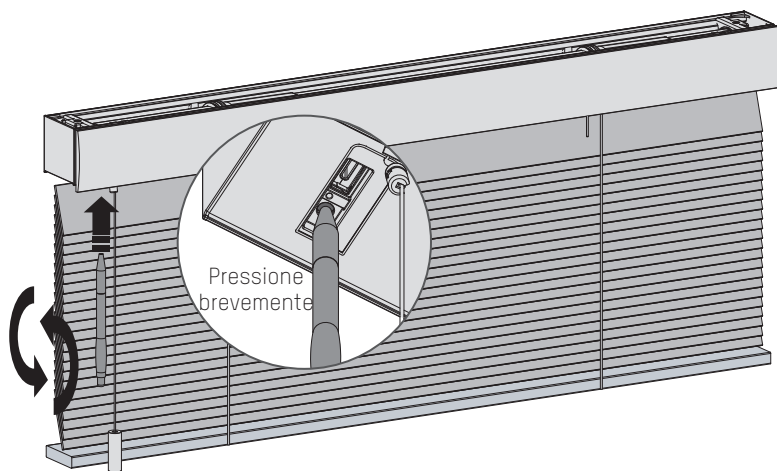
7 Definir a posição favorita (opcional)

1. Mova a persiana para uma posição favorita desejada.
2. Segure o botão central para guardar esta posição favorita. A persiana pára brevemente de mover gradualmente indicando que a posição preferida foi salva.



8 Desativar o modo de programação

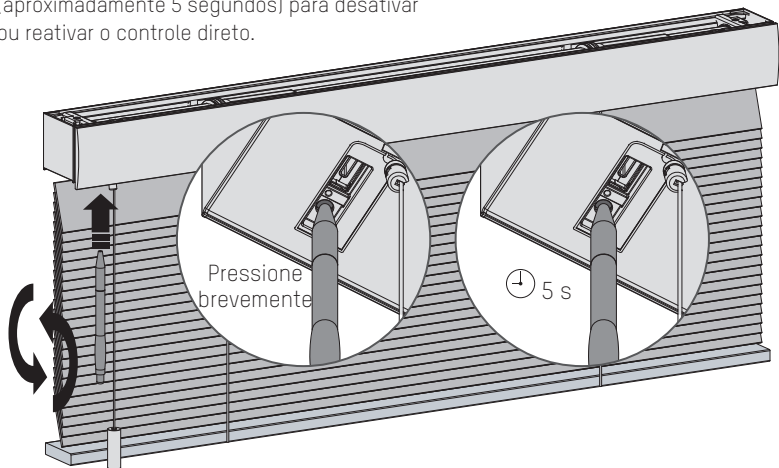
Pressione brevemente o botão de programa do motor para desativar o modo de programação. A persiana pára de se mover gradualmente e pode ser operada.



i Desativar o controle direto para controle remoto (Não recomendado para Venetian)

Ao pressionar o botão para cima ou para baixo no controle remoto, a persiana move-se diretamente para as suas posições finais (controle direto). Para acionar a persiana com passos menores utilizando o botão para cima e para baixo, o controle direto pode ser desativado. Agora, a persiana só se move diretamente para as suas posições finais quando o botão para cima ou para baixo é pressionado por mais de dois segundos.

- 1** Pressione o botão programa no motor para ativar o modo de programação.
A persiana começa a se mover gradualmente.
- 2** Manter o botão de programa programa até a persiana parar de se mover gradualmente (aproximadamente 5 segundos) para desativar ou reativar o controle direto.

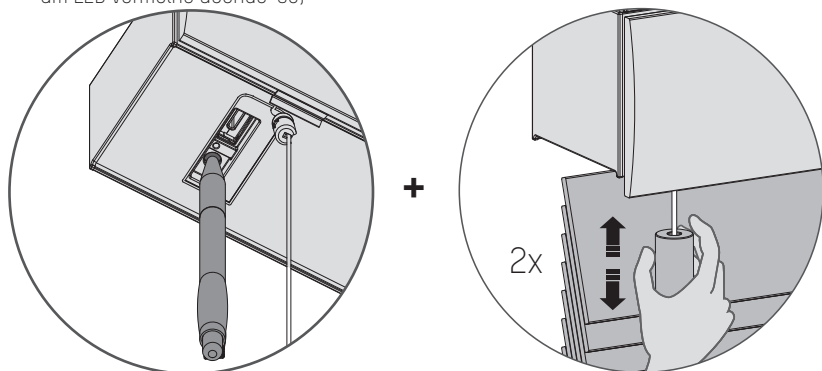


FAQ

i Ativar / desativar o motor (modo de transporte)

Para evitar que a persiana seja danificada, o motor tem um modo de transporte que assegura que a persiana não seja ativada antes da instalação.

- 1** Pressionar o botão de programa e puxar a corrente / corda / bastão duas vezes para ativar ou desativar o motor. (Quando o motor é ativado, um LED verde acende-se. Quando o motor é desativado, um LED vermelho acende-se)

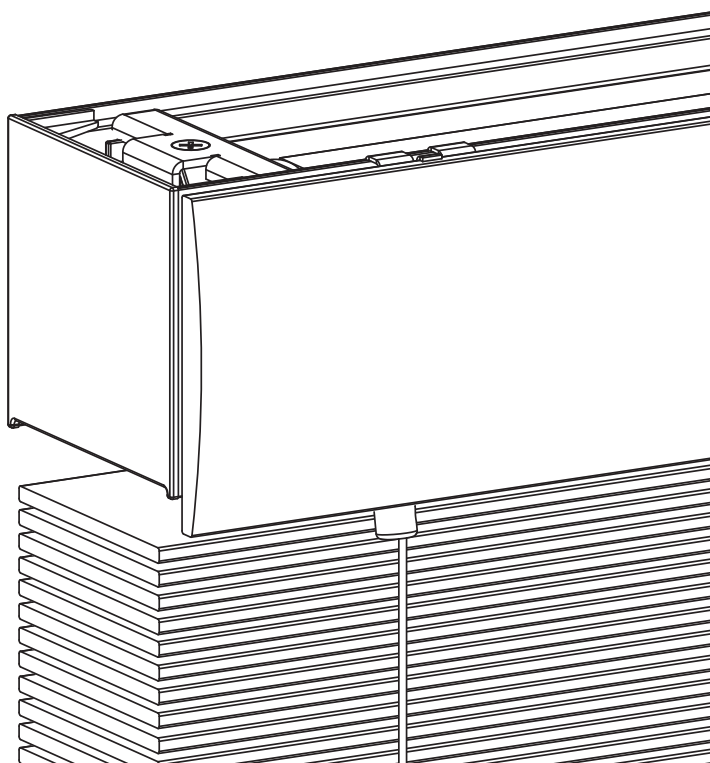


Problema	Causa	Solução
A persiana não funciona.	O motor está no modo de transporte.	Ativar o motor. Ver página 4/28.
	A bateria do motor está descarregada.	Carregar o motor. Ver página 12.
	A bateria do controle remoto está descarregada. (Os LEDs do controle remoto piscam rapidamente.)	Substitua a bateria do controle remoto. Consulte o manual do controle remoto.
	A bateria do controle remoto está inserida incorretamente.	Substitua a bateria do controle remoto. Consulte o manual do controle remoto.
	Interferência de radiofrequência	Certifique-se de que a antena do motor esteja fora do caminho de objetos metálicos.
	A distância entre o telefone/ponte/controle remoto e o motor é muito grande.	Aproxime-se do motor.
	O controle remoto não está conectado com a persiana.	Emparelhe o controle remoto com o motor. Ver página 18.
O LED do motor pisca em vermelho.	A bateria do motor está descarregada.	Carregar o motor. Ver página 12.
A persiana não está a carregando.	O carregador não está conectado ou não funciona.	Experimente um carregador diferente ou certifique-se de que o carregador está ligado à tomada.
Múltiplas persianas respondem a um controle remoto. (Não é possível programar uma única persiana)	Múltiplas persianas estão emparelhadas com um único canal.	Emparelhe a persiana com um canal livre para programar ou use uma única seleção para programar a persiana.
A persiana se move a passos pequenos.	1) Não há nenhum limite final programado. 2) O controle direto está desativado.	1) Programe os limites finais. Ver página 6-7, 18-20. 2) Ativar o controle direto. Ver página 22.
Não é possível programar a posição favorita.	Não há nenhum limite final programado.	Programe os limites finais. Ver página 6-7, 18-20.
A persiana desce demais.	Os limites finais estão programados incorretamente.	Reprogramar os limites finais. Ver página 6-7, 18-20.
A persiana move-se na direção oposta.	O sentido de rotação foi definido incorretamente.	Mude o sentido de rotação. Ver página 11, 18.
A persiana continua a subir e a descer.	A persiana está no modo de programação.	Pressione o botão programa no motor para sair do modo de programação.
O estore não se liga à sua rede Thread.	A ligação da persiana não é estável.	1) Ligar o Bluetooth 2) Desativar o motor e reativar o motor e tentar ligar novamente. Ver página 28 3) Feche o aplicativo e conecte-o novamente com o seu motor.

使用手册

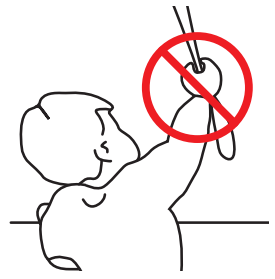
百叶帘

CM-06-E-V 型电机



警告

在组装和使用该产品之前,请仔细阅读说明书。非专业人员也可完成组装。仅供室内使用。



- 年幼的孩子可能会被拉绳,链子和带子以及操作窗帘的绳索圈住而勒死。
- 为避免勒死和缠绕,请将绳索放在幼儿接触不到的地方。
- 绳索可能会勒住孩子的脖子。
- 将床,婴儿床和家具从窗帘绳索上移开。
- 不要把绳索绑在一起。
- 确保绳索不会缠绕在一起,形成一个圈。

2

清洁

在清洁设备及其部件的外部时,请遵循这些一般规则。

- 使用潮湿,柔软,无绒毛的布。避免在开口处受潮。
- 不要使用气溶胶喷雾剂、溶剂、酒精或研磨剂。

服务与支持

请不要自己进行维修。不要试图打开设备或拆卸它。您会有触电的危险,并使有限保修失效。用户不可维修产品内部

保修服务

首先遵循本手册中的建议。如果产品出现损坏或功能不正常的情况时,请到当地经销商处了解如何获得保修服务的说明。

回收利用

该标识表明,在整个欧盟范围内,该产品不应与其他家庭废物一起处置。为了防止不受控制的废物处理对环境或人类健康可能造成的伤害,请负责任地回收,以促进材料资源的可持续再利用。要退回您的旧设备,请使用退货和收集系统,或联系购买产品的零售商。他们可以将此产品进行环保安全的回收。

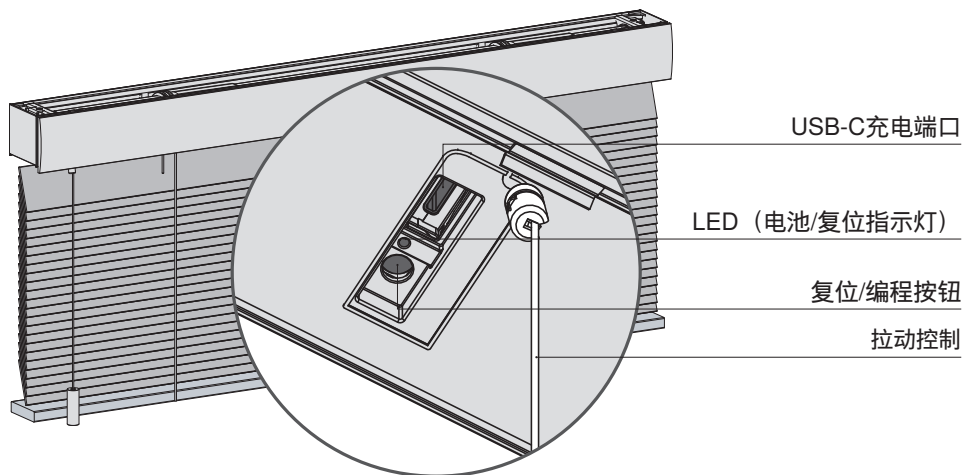


IP 20



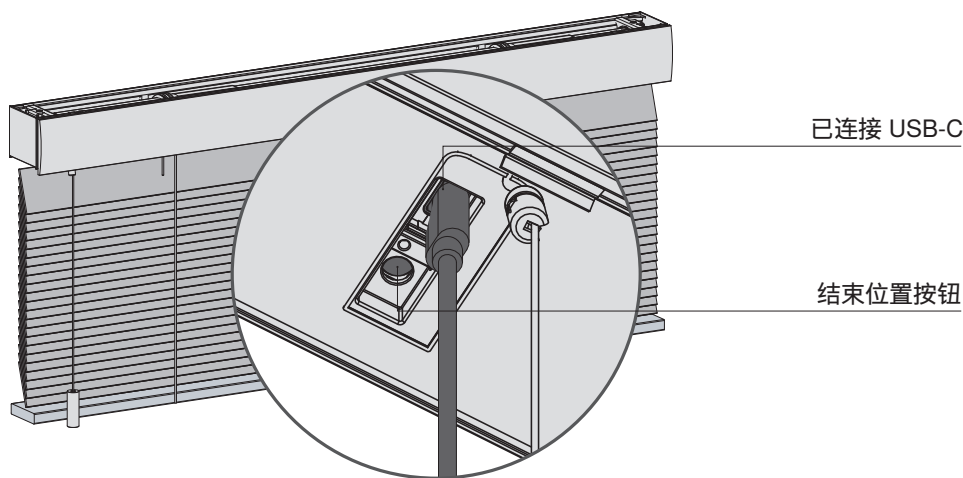
Conforms to
UL Std. 325
Certified to
CSA Std. C22.2#247

i 按钮和功能



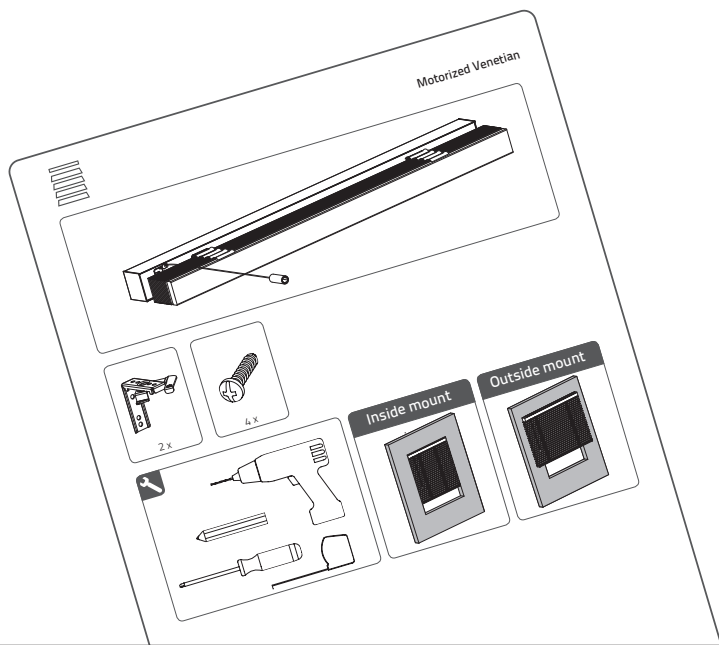
i 程序模式

连接 USB-C 电缆并接通电源后，重置/编程按钮的功能会自动更改，从而可以使用该按钮设置末端位置。只要连接 USB-C 电缆并接通电源，就无法使用默认的重置/编程功能。



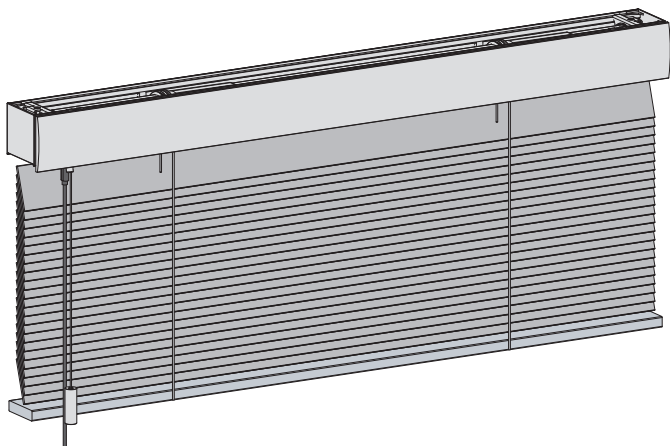
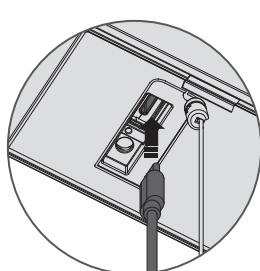
1 安装卷帘

按照安装说明中的步骤来安装卷帘。



2 激活卷帘

要激活卷帘，需要通过 USB-C 电缆将其连接到标准的 USB-C 5V 电源上。例如，可以是智能手机的电源适配器。



3 将Eve MotionBlinds添加到您的平台

将Eve MotionBlinds添加到您选择的平台上，并确保其兼容Thread Border Router

更多信息：motionblinds.com/eve/matter



4 设置窗帘

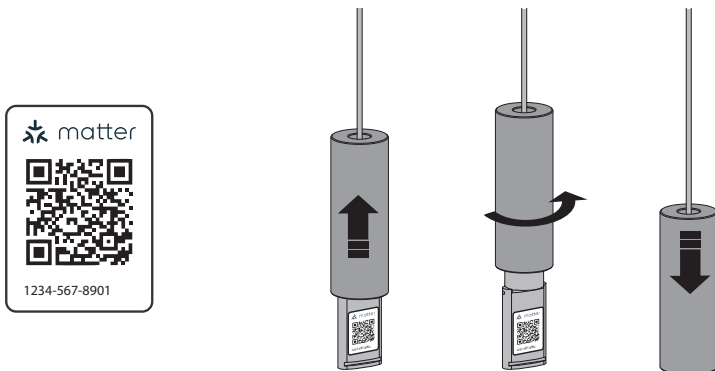
现在，您只需要使用您选择的平台中的应用程序扫描Matter设置代码，就可以轻松地将Eve MotionBlinds添加到您的智能家居中，只需要几个步骤。

扫描Matter设置代码，将其添加到您的平台。

Eve MotionBlinds窗帘需要终端位置才能正常工作。末端位置可以通过两种方式进行编程。

在Eve应用程序中或通过窗帘上的终端位置编程按钮。（步骤5）

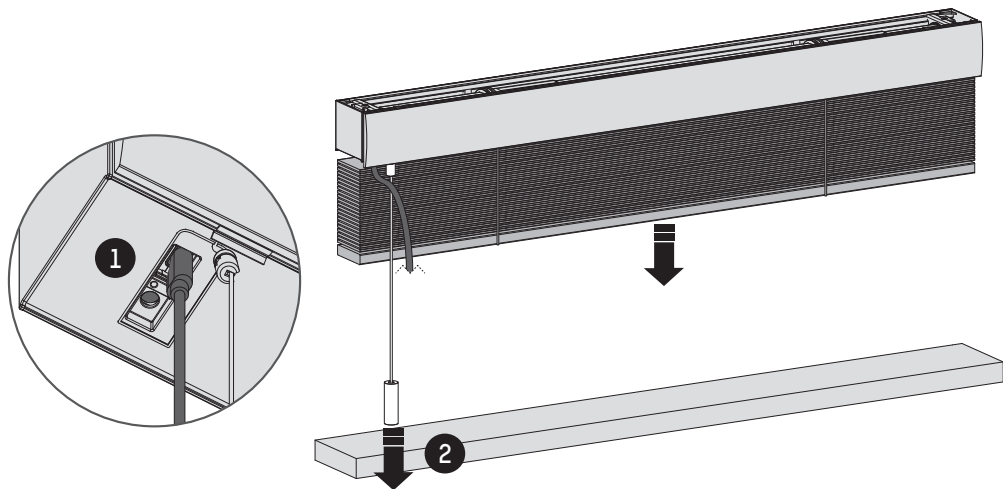
扫描后，您可以隐藏您的Matter设置代码。



5 设置端点

除了通过应用程序设置端点，还可以通过电机上的按钮设置。1: 要进入该程序模式，请确保 USB-C 连接线已连接并通电（见第 3 页）。2: 拉住拉绳不放，直到窗帘滑动到底端。如果窗帘朝反方向滑动，先松开拉绳，然后再次拉住不放。

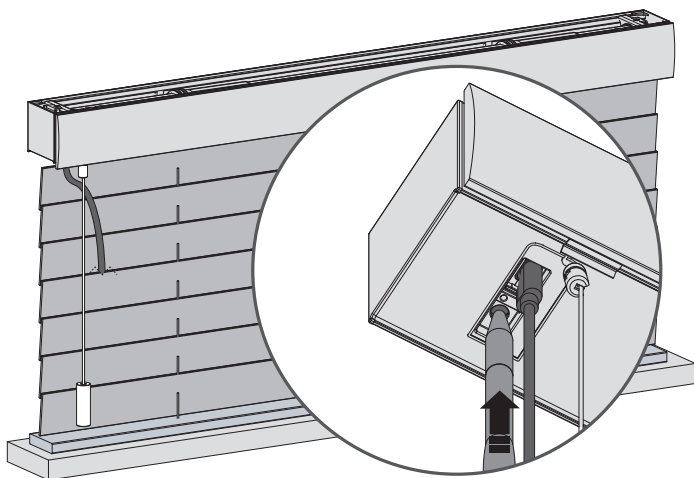
调节窗帘，直到滑动到底端。



6

6 保存底端位置

窗帘位于底端时，按住按钮使窗帘上下移动，此时保存底端位置。



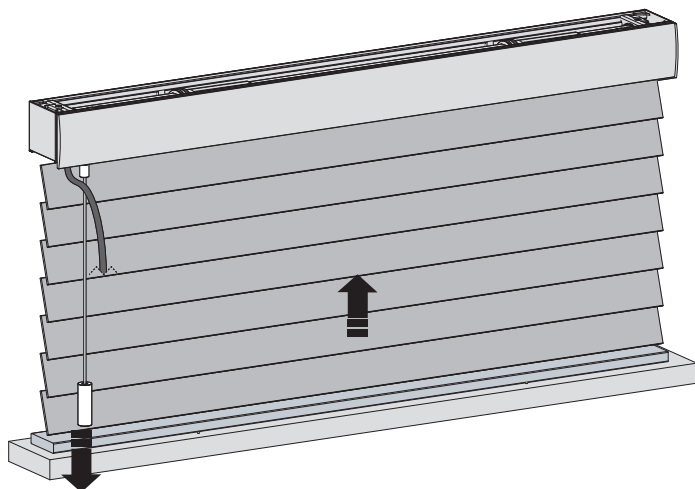
7 将窗帘移至顶端

拉住拉绳不放，直到窗帘滑动到顶端。

警告：可能造成损坏。请缓慢移动到顶端。

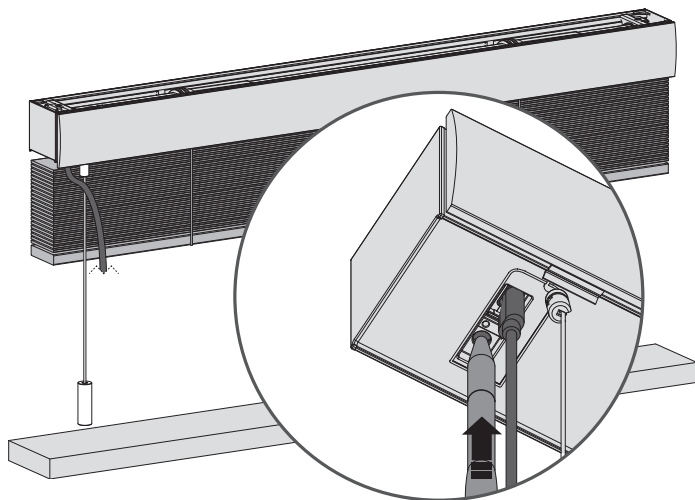
如果窗帘朝向反方向滑动，先松开拉绳，然后再次拉住不放。

调节窗帘，直到滑动到顶端。



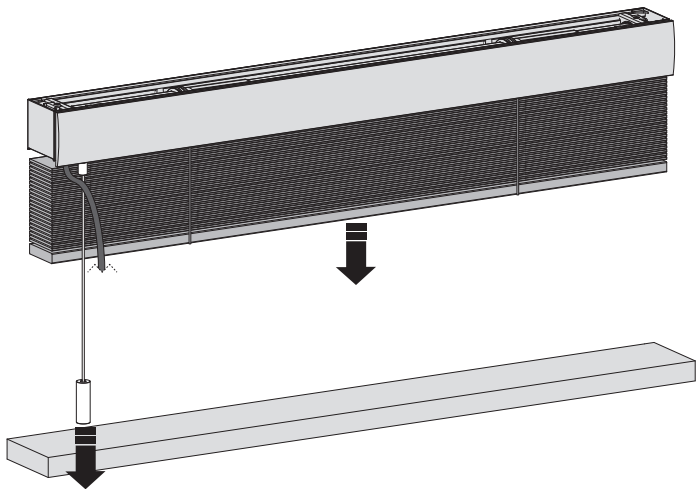
8 保存顶端位置

当你的盲注定位在你的最高位置时，按住按钮，直到盲注上下移动以保存你的最高位置。



9 调整端点

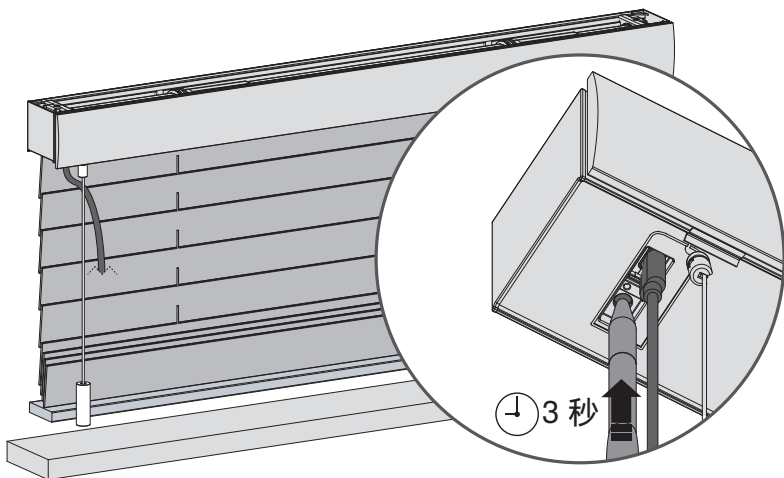
要调整上/下端，先将窗帘移动到所需的端点位置。
拉住拉绳不放，直到窗帘移动到所需的端点位置。



8

10 删除（底端/顶端）位置

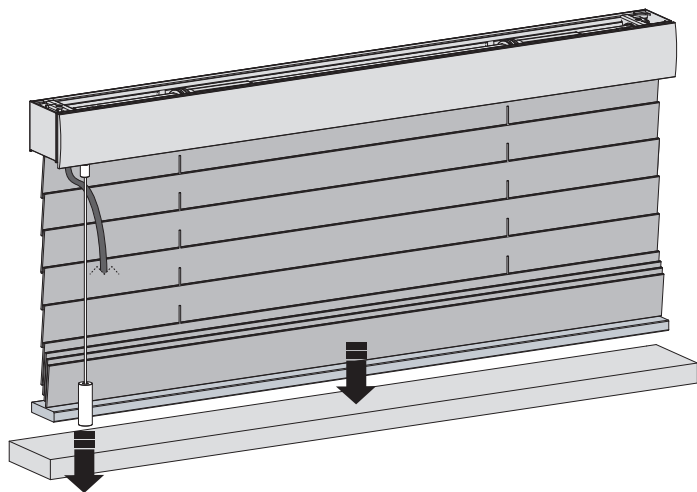
按住端点编程按钮 3 秒，删除（底端/顶端）位置。窗帘将上下“踏步”移动一次，表示确认已删除端点位置。此时可以设置新的（底端/顶端）位置。



11 将窗帘移至新的（底端）位置

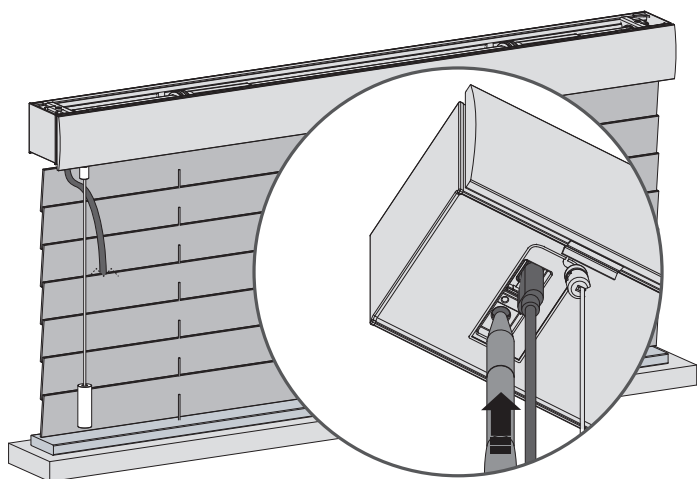
拉住拉绳不放，直到窗帘滑动到底端。
如果窗帘朝相反方向滑动，先松开拉绳，然后再次拉住不放。

调节窗帘，直到滑动到底端。



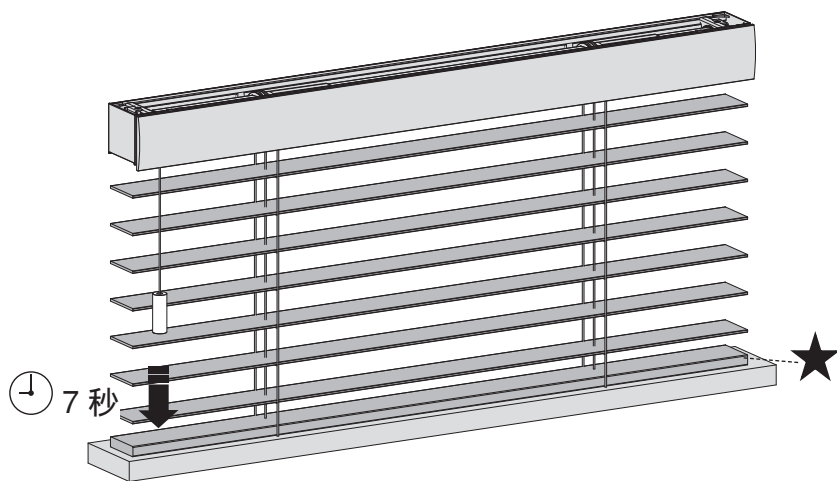
12 保存底端位置

窗帘位于底端时，按住按钮使窗帘上下移动，此时保存底端位置。



13 保存常用位置

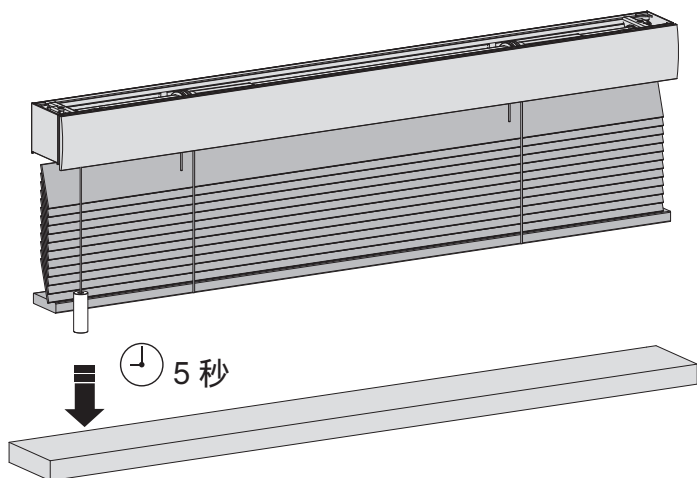
未编程常用位置时，需要先将窗帘放在您的常用位置。窗帘位于常用位置时，拉住拉绳不放，直到窗帘上下“踏步”移动一次。（约 7 秒）



10

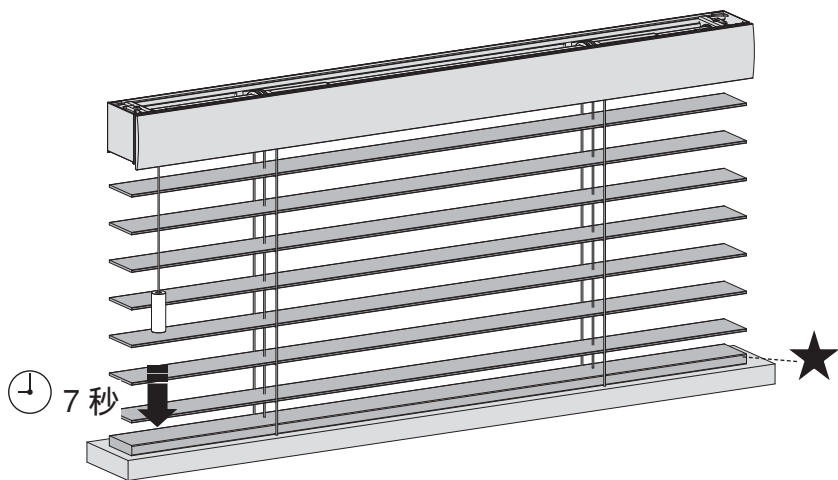
14 移动窗帘到常用位置

窗帘未在常用位置时，拉住拉绳 5 秒，窗帘将移动到常用位置。



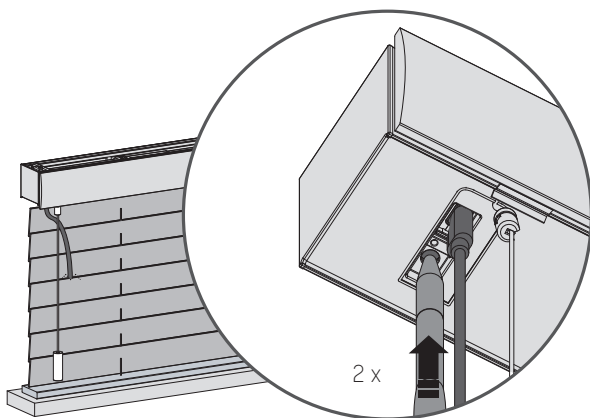
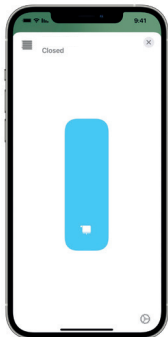
15 保存常用位置

要删除之前的常用位置，先将窗帘放在当前的常用位置。（步骤 14）然后拉住拉绳不放，直到窗帘上下“踏步”移动一次。（约 7 秒）表示此时已删除常用位置。按步骤 13，设置新的常用位置。



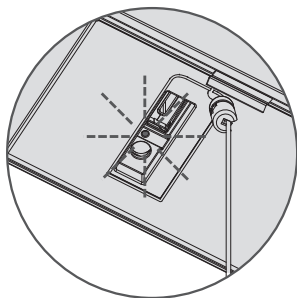
i 更改旋转方向

如果应用程序中窗帘的位置和实际相反，请在一秒内连接两次端点按钮来更改旋转方向。

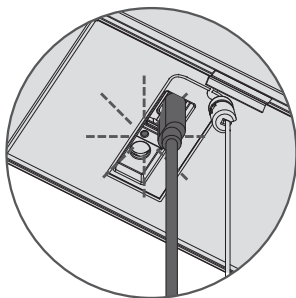


i 窗帘充电

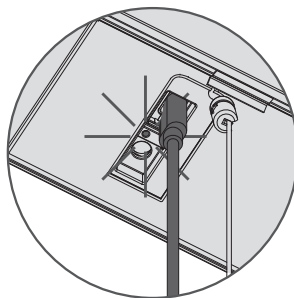
要给盲板充电，可通过 USB-C 电缆将其连接到标准的 USB-C 5V 电源。例如，可以是智能手机的电源适配器。每年至少充电一次。



运行期间
红色 LED 灯闪烁
需要充电



绿色 LED 灯闪烁；
正在充电



绿色 LED 灯常亮；
电已充满

重要的安全说明

警告：为了减少严重伤害或死亡的风险并确保人身安全，必须遵循并且保存这些说明。

- 阅读并遵守所有安装说明。
- 8岁及以上的儿童和身体、感官或精神能力下降或缺乏经验和知识的人可以使用本设备，但他们必须得到有关安全使用本设备的监督或指导，并了解其中的危险性。儿童不应玩弄该设备。在没有监督的情况下，儿童不应进行清洁和用户维护。
- 不要让儿童玩固定的控制器。将遥控器放在远离儿童的地方。
- 经常检查安装是否不平衡，电线和弹簧是否有磨损或损坏的迹象。如果需要修理或调整，请不要使用。
- 该说明手册也可在网站上找到。
- 在清洁、维护和更换部件时，必须将驱动器与电源断开。
- 驱动器的A加权排放声压级等于或小于70dB(A)。
- 仅限室内和家庭使用。
- 当附近正在进行维修时，如擦窗，请断开驱动器与电源的连接或关闭自动控制。
- 操作偏向开关时，要确保其他人远离。
- 当附近正在进行维护，如擦窗时，请勿操作。
- 管状电机必须在与设备上的标记相对应的安全超低电压环境下使用
- 电机的最高工作温度为 +55°C。电池组的最高充电温度为+45°C。
- 本设备含有不可更换的电池。

重要的安装说明

警告：重要的安全说明。遵循所有指示，因为不正确的安装可能导致严重的伤害。

- 该电机只能与软质材料的被动件一起使用。驱动器的危险的未受保护的移动部件必须安装在高于地面或任何其他可以接触到它的水平表面2.5米以上。
- 将手动释放装置的执行部件安装在低于1.8米的高度。
- 偏置开关的驱动部件应位于被驱动部件的直接视线范围内，但要远离移动部件。它的安装高度至少为1.5米，并且在公众不能接触到的地方。
- 驱动器的质量和尺寸必须与额定扭矩和额定工作时间相匹配。
- 固定的控制装置在安装后必须是清晰可见的。
- 驱动器必须符合额定扭矩0.6N.m和额定工作时间(12分钟)。
- 该驱动器打算安装在离地面或任何其他可接近的水平表面至少2.5米的高度。
- 必须按照布线规则，将全极断开开关纳入固定布线中。
- 设备只能以与设备上的标记相对应的安全超低电压供电。
- 在安装驱动器之前，请移除任何不必要的电线或组件，并停用任何不需要供电操作的设备。

监管信息

1 为用户提供的FCC信息

本产品不包含任何用户可维修的部件,只能与经批准的天线一起使用。任何产品的改变或修改将使所有适用的监管认证和批准失效。

2 FCC电子排放通知

本设备符合FCC规则的第15个部分。

操作要符合以下两个条件。

1. 本设备不得造成有害干扰
2. 本设备必须接受任何收到的干扰,包括可能导致不希望的操作的干扰。

3 FCC无线电频率干扰声明

本设备已经过测试,符合B类数字设备的规定。

根据FCC规则第15部分的规定,本设备经过测试,符合B类数字设备的规定。这些规定是为了确保设备在商业环境中提供合理保护和免受有害干扰。本设备会产生、使用并能辐射无线电频率能量,如果不按照说明安装和使用,可能会对无线电通信造成有害干扰。

在住宅区操作本设备可能会造成有害干扰,在这种情况下,用户将被要求纠正干扰,费用自理。如果本设备确实对无线电或电视接收造成有害干扰,这可以通过关闭和开启设备来确定,我们鼓励用户尝试通过以下一种或多种措施来纠正干扰。

- 调整接收天线的方向或重新定位
- 增加设备和接收器之间的距离
- 将设备连接到与接收机所连接的电路不同的插座上。
- 请咨询经销商或有经验的无线电/电视技术人员的帮助。

为了满足FCC/IC射频暴露的要求。

在设备操作过程中,本设备的天线与人之间应保持20厘米或更远的距离。

为了确保符合要求,不建议在比这个距离更近的地方操作。

欧盟声明

在此,Coulisse声明,CM-06-E-V型无线电设备符合

指令2014/53/EU。欧盟符合性声明的全文可在以下互联网地址获得: support.motionblinds.com

- 频率范围。433 MHz,射频功率: 2.32 dBm
- BLE的频率范围: 2402 - 2480 MHz。
射频功率: 3 dBm EIRP
- 频率范围线: 2405 - 2480 MHz,
射频功率。< 20 dBm EIRP

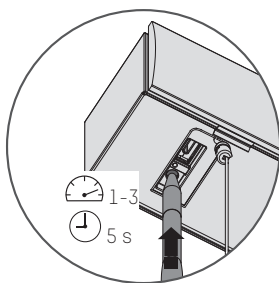
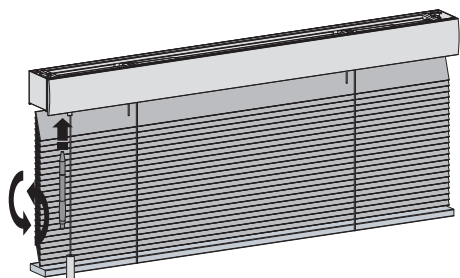
ISED合规性

本设备包含符合加拿大创新、科学和经济发展部的免于许可的发射器/接收器。操作须符合以下两个条件。本设备不得造成干扰。本设备必须接受任何干扰,包括干扰。

i 改变电机速度/声级

⚠ 警告： 确保拔下 USB-C 数据线。否则会删除终端限制。

按住程序按钮 5 秒钟，可更改电机速度/音量。百叶帘上下移动 1 次，表示速度已调整到 3 级中的 1 级。警告：在百叶帘上下移动 5 秒钟后松开按钮，以免重置连接。

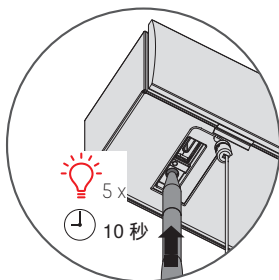
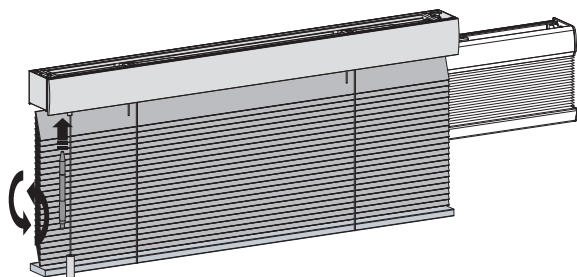


i 重置连接

⚠ 警告： 确保拔下 USB-C 数据线。否则会删除终端限制。

按住程序按钮 10 秒，删除百叶窗和应用程序之间的连接。

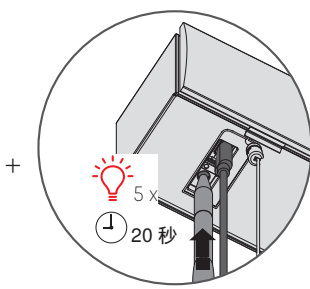
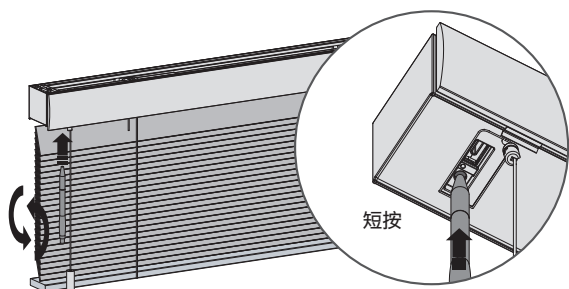
LED 灯亮起 5 次，百叶窗上下跳动 1 次，表示连接被重置。现在，百叶窗可以重新连接了。



i 重置卷帘

⚠ 警告： 确保拔下 USB-C 数据线。否则会删除终端限制。

重置卷帘会导致删除卷帘的终端位置以及与应用程序和遥控器的连接。短暂按下程序按钮，激活程序模式。重置卷帘需要按住复位/程序按钮至少 20 秒，卷帘会上下移动。接着会停止两次移动。在几秒停止之后，百叶窗会进一步显示已经被重置了。

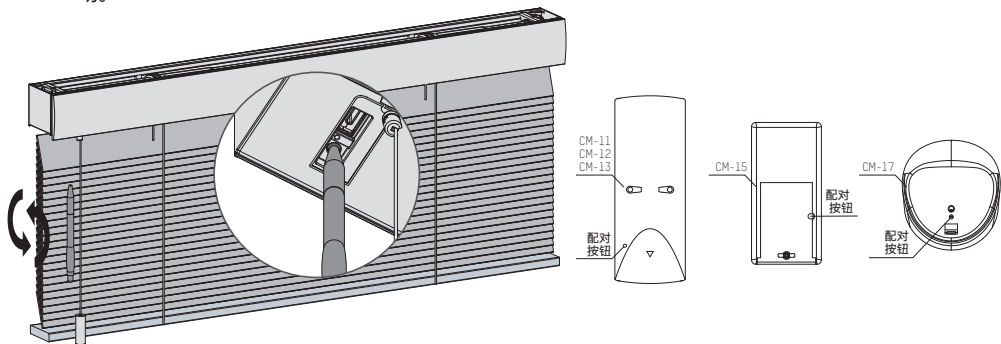


远程编程

1 配对遥控器

本公司窗帘可以与所有 MotionBlinds 遥控器配对。

- 1 在遥控器上选择一个信号通道，然后按电机的编程按钮，开启编程模式。此时窗帘将上下“踏步”移动。



- 2 按下遥控器背面的配对按钮，将窗帘与所选信号通道配对。稍后窗帘停止“踏步”移动，表示遥控器已与窗帘配对。

- 3 短按编程按钮，关闭编程模式。此时窗帘停止“踏步”移动，可以正常运行。

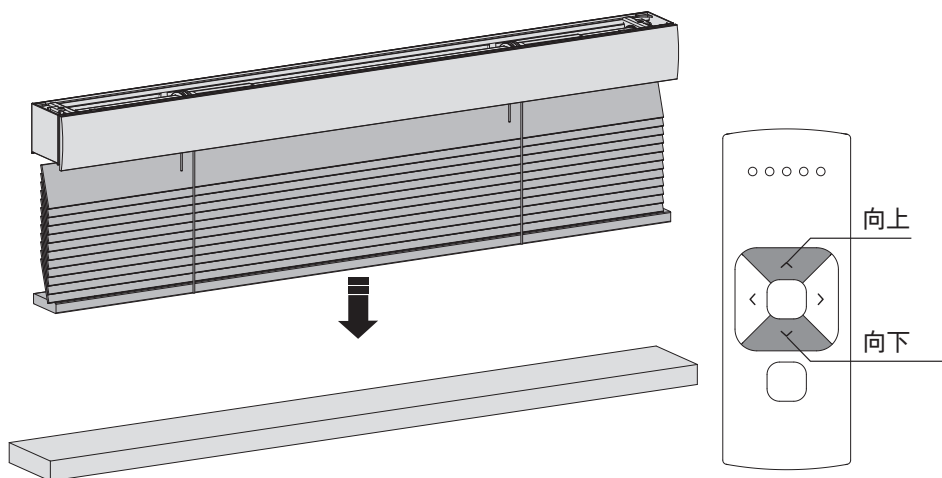
18

2 检查旋转方向

警告：可能造成损坏。需在到达端点之前停止滑动窗帘。

- 1 短按“向下”按钮，检查窗帘是否能正确展开。如果窗帘上移，须更改旋转方向。

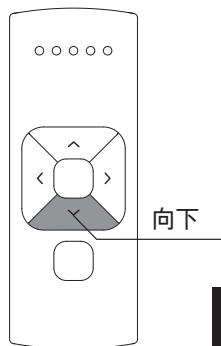
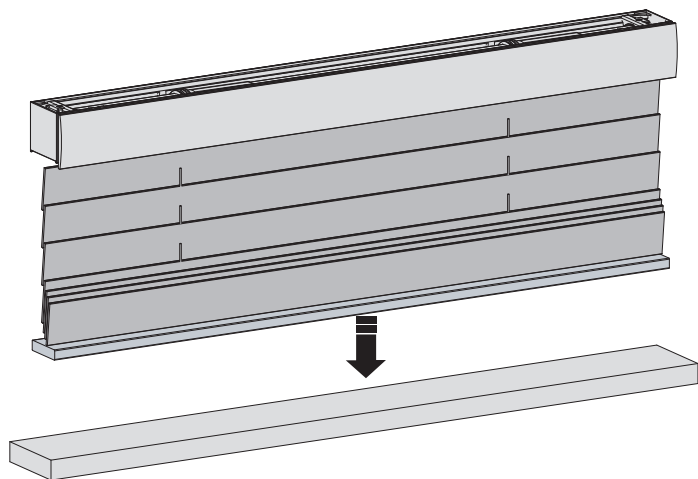
- 2 同时按“向上”和“向下”按钮，更改旋转方向。



3 设置底端

按住“向下”按钮，直到窗帘移动到所需的底端位置。警告：可能造成损坏。

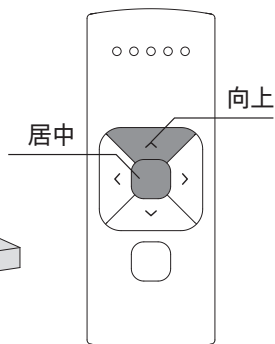
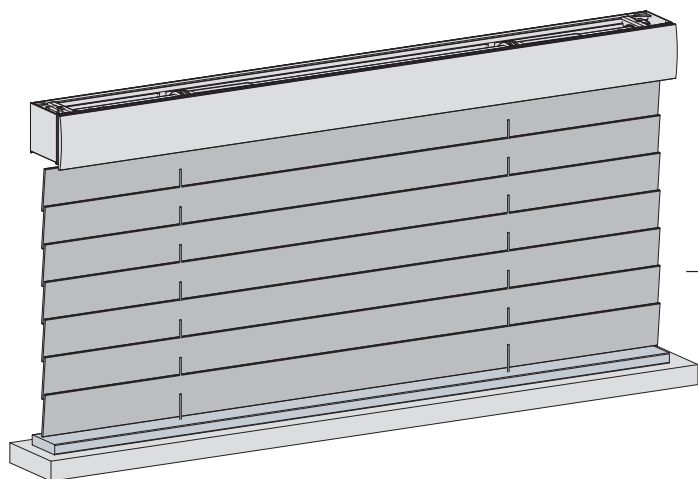
请缓慢移动到底端。



4 保存底端位置

同时按住“居中”和“向上”按钮，直到窗帘先停止“踏步”，然后再开始“踏步”。

表示此时已保存底端位置。

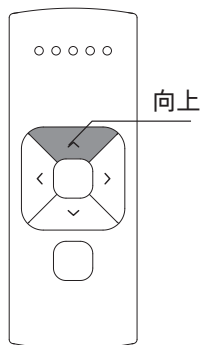
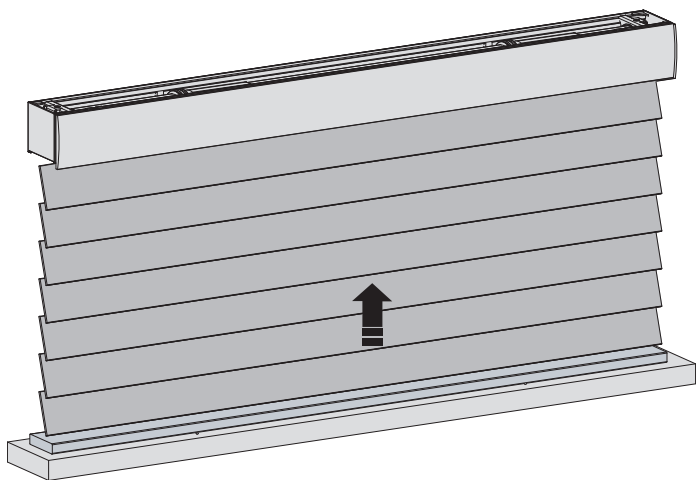


5 设置顶端

按住“上”按钮不放，直到窗帘移动到所需的顶部位置。

警告：可能造成损坏。

请缓慢移动到顶端。

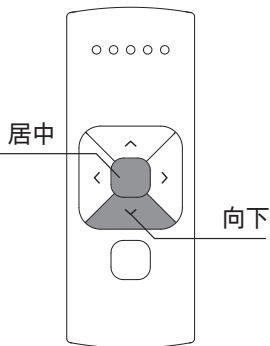
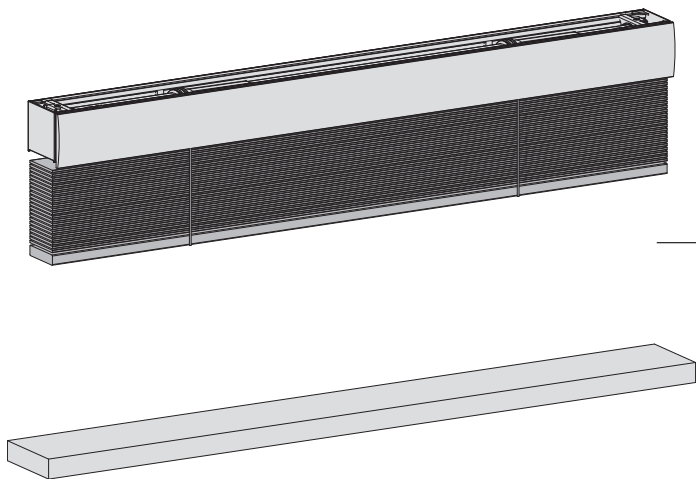


20

6 保存顶端位置

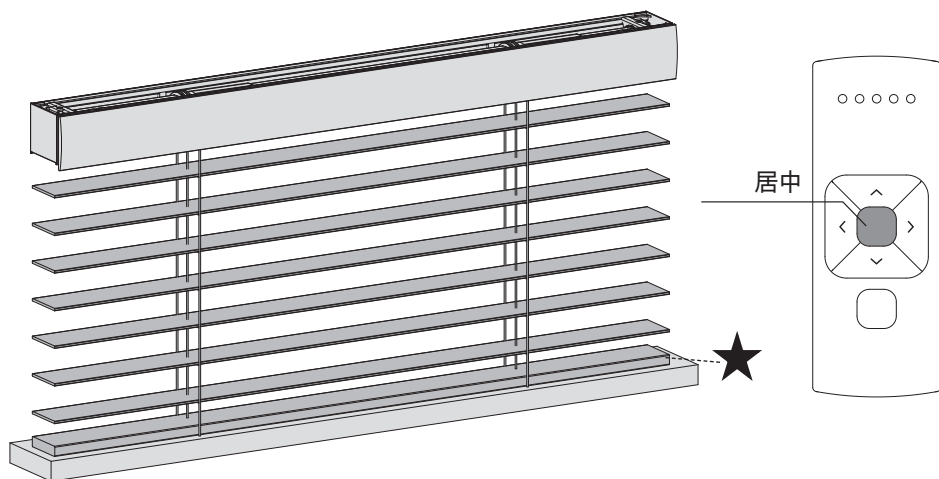
同时按住“居中”和“向下”按钮，直到窗帘先停止“踏步”，然后再次开始“踏步”。

表示此时已保存顶端位置。



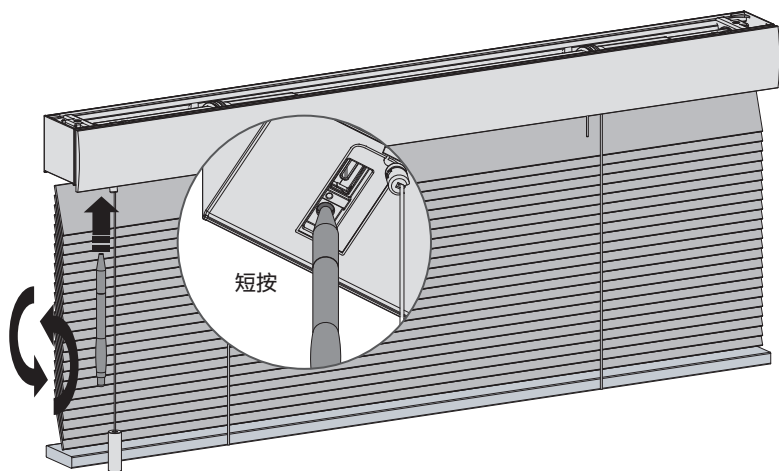
7 设置常用位置（可选）

- 1 将窗帘移动到所需的常用位置。
- 2 按住“居中”按钮，保存常用位置。稍后窗帘停止“踏步”，表示已保存常用位置。



8 关闭编程模式

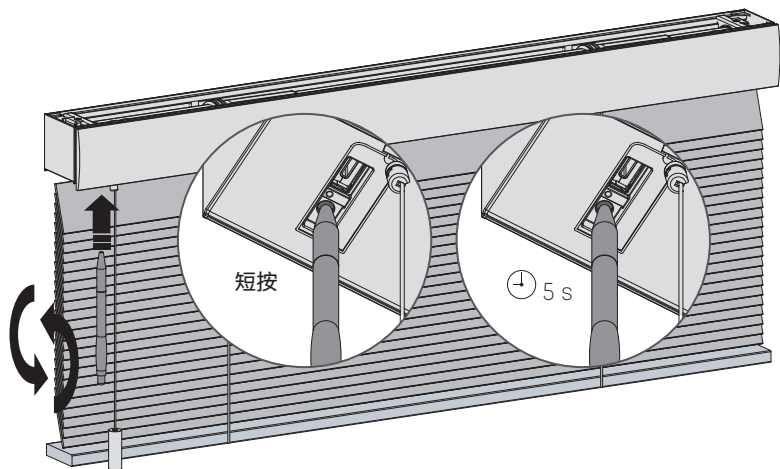
短按编程按钮，关闭编程模式。此时窗帘停止“踏步”移动，可以正常运行。



i 关闭遥控器控制的直接控制 (不建议百叶帘使用此向操作)

“直接控制”是指：按下遥控器的“向上”或“向下”按钮，让窗帘将直接移动到端点。如需使用“向上”和“向下”按钮以较小的步幅移动窗帘，可以关闭直接控制。此时，只要按住“向上”或“向下”按钮两秒以上，窗帘才会直接移动到端点。

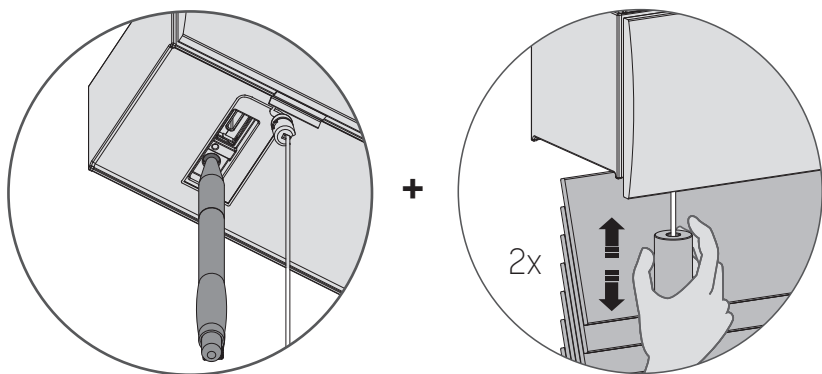
- 1** 按下电机的编程按钮，启用编程模式。此时窗帘开始“踏步”。
- 2** 长按编程按钮（约 5 秒），直到窗帘停止“踏步”，以关闭或重启直接控制。



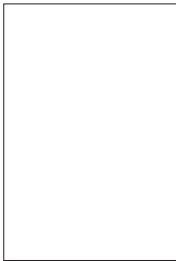
i 启动/关闭电机（待机模式）

电机专门设置了待机模式，以防安装完毕前启动，造成窗帘损坏。

- 1** 长按编程按钮，拉动拉绳两次，以启动或关闭电机。（电机启动后，绿色 LED 灯亮起；电机关闭后，红色 LED 灯亮起）



故障类型	可能原因	解决方案
窗帘不工作。	电机处于待机模式。	启动电机。见第 4/28 页。
	电机电池耗尽。	给电机充电。见第 12 页。
	遥控器电池耗尽。（遥控器 LED 灯快速闪烁。）	更换遥控器电池。 请参阅遥控器使用手册。
	遥控器电池插入不当。	更换遥控器电池。 请参阅遥控器使用手册。
	射频干扰	确保电机天线周边无金属物件。
	手机/桥接/遥控器离电机太远。	靠近电机。
遥控器未连接窗帘。	配对遥控器和电机。 见第 18 页。	
电机红色 LED 指示灯闪烁。	电机电池耗尽。	给电机充电。见第 12 页。
窗帘充不进电。	未插入充电器，或充电器工作异常。	检查充电器是否插入插座，或尝试其他充电器。
操作遥控器时，多幅窗帘做出反应。（无法编程单幅窗帘）	一个信道配对到了多幅窗帘。	将窗帘配对到空白信道然后编程，或选择单幅窗帘进行编程。
窗帘移动步幅小。	1) 未编程设定端点范围。 2) 关闭了直接控制。	1) 编程设置端点范围。见第 6-7、18-20 页。 2) 开启直接控制。见第 22 页。
无法编程常用位置。	未编程设定端点范围。	编程设置端点范围。 见第 6-7、18-20 页。
窗帘降幅过大。	端点范围编程不当。	重新编程设定端点范围。见第 6-7、18-20 页。
窗帘向相反方向移动。	旋转方向设置有误。	更改旋转方向。 见第 11、18 页。
窗帘持续上下移动。	窗帘处于编程模式。	按下电机的编程按钮， 启用编程模式。
百叶窗无法与线程网络连接。	百叶窗连接不稳定。	1) 打开蓝牙 2) 关闭电机并重新启动电机，然后尝试再次连接。参见第 28 页 3) 关闭应用程序并重新连接电机。



room:

notes:
